

BACK VIEW

CUSTOMER DRAWING
OUTLET COVER LID CLOSED

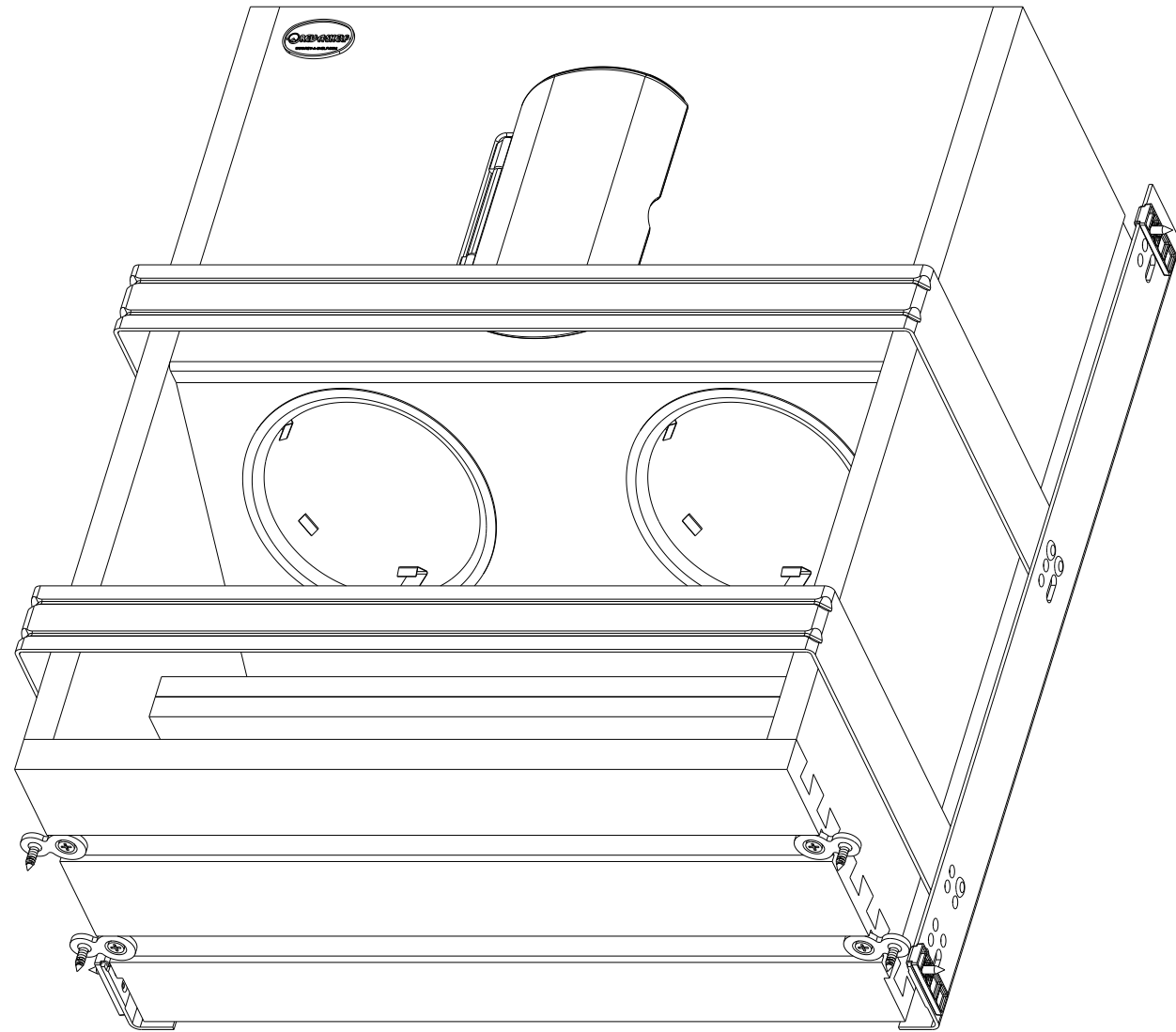
This drawing is the property of Rev-A-Shelf (RAS) and is disclosed in confidence to the extent its subject matter is original to RAS. Any vendor receiving this drawing from RAS shall hold and use this drawing for the sole benefit of RAS and shall not disclose it to, or use or reproduce it for any third party, or perform any act adverse to the interest of RAS with respect to this drawing without the express written permission of RAS. Vendors shall not revise any physical, dimensional or performance characteristic unless authorized by Rev-A-Shelf Engineering.

REV.	DATE	BY	DESCRIPTION OF CHANGE

INCH [MM]	AMERICAN PROJECTION 	DRAWN	BY	DATE	REV-A-SHELF, INC.
			LKW	1-9-19	
			MATERIAL	DRAWING NO.	SCALE
			FINISH	4VOD-18FLSC-1	0.250
				PART NO.	SHEET OF
				4VOD-18FLSC-1	1 2

TOLERANCES
MAT. DEC.
(WOOD) .XX ±.03 [.8mm]
(OTHER) .XX ±.02 [.5mm]
(ALL) .XXX ±.005 [.13 mm]
FRACTIONS ±1/32 [.8 mm]

ANGLES
±1/2°



MADE FOR 0.75" FRAMELESS CABINET

PART DIMENSIONS	
WIDTH	16.50 [419,1]
DEPTH	20.23 [513,9]
HEIGHT	8.98 [228]

MIN CABINET OPENING				
	FACE FRAME	FRAMELESS	INSET FACE FRAME	INSET FRAMELESS
WIDTH	N/A	16.50 [419,1]	N/A	16.50 [419,1]
DEPTH	N/A	20.25 [514,4]	N/A	21.00 [533,4]
HEIGHT	N/A	9.00 [228,6]	N/A	9.00 [228,6]

SLIDE SPECIFICATIONS				
SLIDE TYPE	BLUM UNDERMOUNT	SLIDE EXTENSION	FULL	MAX WEIGHT RATING
SLIDE CLOSING	SOFT	SLIDE LENGTH	18.00 [457,2]	
SLIDE MOUNTING	SIDE	SLIDE FINISH	ZINC	90 LBS

CUSTOMER DRAWING
OUTLET COVER LID CLOSED

This drawing is the property of Rev-A-Shelf (RAS) and is disclosed in confidence to the extent its subject matter is original to RAS. Any vendor receiving this drawing from RAS shall hold and use this drawing for the sole benefit of RAS and shall not disclose it to, or use or reproduce it for any third party, or perform any act adverse to the interest of RAS with respect to this drawing without the express written permission of RAS. Vendors shall not revise any physical, dimensional or performance characteristic unless authorized by Rev-A-Shelf Engineering.

REV.	DATE	BY	DESCRIPTION OF CHANGE

INCH [MM]	AMERICAN PROJECTION	DRAWN	BY	DATE	REV-A-SHELF, INC.
			LKW	1-9-19	
			MATERIAL	DRAWING NO.	SCALE
			FINISH	4VOD-18FLSC-1	0.300
				PART NO.	SHEET OF
				4VOD-18FLSC-1	2 2

TOLERANCES
 MAT. DEC.
 (WOOD) .XX ±.03 [.8mm]
 (OTHER) .XX ±.02 [.5mm]
 (ALL) .XXX ±.005 [.13 mm]
 FRACTIONS ±1/32 [.8 mm]

ANGLES
 ±1/2°