

# GT1™ LED Pedestrian Signals

Full Hand, Full Person -  
Side by Side (16 x 18 in)



Project Name \_\_\_\_\_

Date \_\_\_\_\_ Type \_\_\_\_\_

Notes \_\_\_\_\_



## EXCELLENT APPEARANCE & VISIBILITY

- Robust LED system design enables high luminous intensity over long product life
- Efficient optical system minimizes power consumption while providing excellent uniformity and viewing angles
- New! Single piece transparent front window with internal masking to prevent:
  - icons display from being readily visible when not in operation
  - scratches and abrasions compared with external silk screen technology
- Bright and clear icons
- New or retrofit use
- Fully uniform look

## OUTSTANDING RELIABILITY & ROBUST OPERATION

- Internal conflict monitor preventing walk and don't walk indications to light up at the same time (PS7-CFC1-26A only)
- Individual power supply drives each display to ensure proper indication
- Over-molded electrical connectors providing moisture and dust protection
- Optimal thermal management for longer life.
- Provides performance under extreme field temperature conditions.

## MEETS RIGOROUS CERTIFICATION & TESTING STANDARDS

- Intertek ETL Verified compliant (PS7-CFC1-26A, PS6-WFM3-26A, PS6-PFH1-26A only)
- EPACT 2005 compliant
- Caltrans approved - Draft Specifications dated Dec. 2008 (PS7-CFC1-26A-22 only)
- Using MIL-STD-810F and NEMA 250-1991 Type 4 (PS7-CFC1-26A-22 only) for environmental robustness, passed reliability and qualification testing including high temperature, high humidity cycling (HTHH for 1,000 hours)
- Production quality compliant to Current Six Sigma requirements
- Compliant with ITE PTCSI LED Signal Modules adopted Aug. 4, 2010 (PS7-CFC1-26A, PS6-WFM3-26A, PS6-PFH1-26A only)



The Greatest Signals Stand the Test of Time

# GT1™ LED Pedestrian Signals

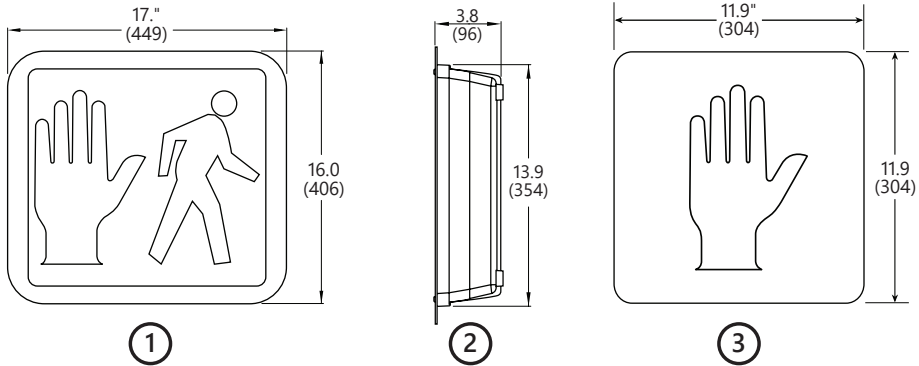
Full Hand, Full Person - Side by Side (16 x 18 in)

Project Name \_\_\_\_\_

Date \_\_\_\_\_ Type \_\_\_\_\_

Notes \_\_\_\_\_

## Mechanical Outline Dimensions in inches (mm)



## Design Compliance

Test type	Compliance
Luminous Intensity	A: ITE PTCSI LED Signal Modules Adopted Aug. 4, 2010 B: Caltrans Specifications Draft version of Dec. 2008
Chromaticity	A: ITE PTCSI LED Signal Modules Adopted Aug. 4, 2010 B: Caltrans Specifications Draft version of Dec. 2008
Moisture Resistance	Blown Wind Rain MIL-STD-810F method 506.4 - NEMA 250 type 4
Mechanical Vibration	MIL-STD-883 Method 2007
Electronic Noise	FCC Title 47 Sec 15 Sub. B <sup>1</sup>
Transient Voltage Protection	A: ITE PTCSI LED Signal Modules Adopted Aug. 4, 2010 B: Caltrans Specifications Draft version of Dec. 2008
Controller Compatibility	NEMA TS-2-2003
Wiring	NFPA 70, National Electric Code

## Operating Specifications

Parameter	Rating
Operating Temperature Range*	-40 to +74°C (-40 to +165°F)
Operating Voltage Range	80 to 135 V (60Hz AC)
Power Factor (PF)	> 90%
Total Harmonic Distortion (THD)	< 20%
Voltage Turn-Off (VTO)	35 V
Start-up Time	< 75msec
Lens & Shell Material	UV Stabilized Polycarbonate
Wiring	16 AWG, Color Coded with Strain Relief
LED Color	Hand: Portland Orange Person: Lunar White
Default Mode	Hand only (PS7-CFC1-26A only)

\* Performed in compliance with ITE test method described in the technical notes

## Product Information

Model Number	Dimensions	Layout	AC Voltage				Beam Pattern	Minimum Luminous Intensity Cd/m <sup>2</sup>		Mechanical Outline
			Nominal	Hand	Person	Countdown		Hand/Digit	Person	
PS7-CFF1-26A <sup>3,4</sup>	16 x 18 in	Overlay / Countdown	120V - 60Hz	11	8	6	26	1400	2200	1, 2 and 3
PS7-CFF1-26A-J <sup>3,4</sup>	16 x 18 in	Overlay / Countdown	120V - 60Hz	11	8	6	26	1400	2200	1, 2 and 3
PS7-CFF1-26A-J1 <sup>4</sup>	16 x 18 in	Overlay / Countdown	120V - 60Hz	11	8	6	26	1400	2200	1, 2 and 3
PS7-CFF1-46A <sup>2,4</sup>	16 x 18 in	Overlay / Countdown	120V - 60Hz	11	8	9	18	3750	5300	1, 2 and 3
PS7-CFF1-46A-J <sup>2,4</sup>	16 x 18 in	Overlay / Countdown	120V - 60Hz	11	8	9	18	3750	2200	1, 2 and 3

Test conditions: Ta = 25°C.

All values are design or typical values when measured under laboratory conditions.

<sup>1</sup> Class A

<sup>2</sup> CalTrans Photometric Requirements Specification - Draft version of Dec. 2008

<sup>3</sup> ITE PTCSI LED Signal Modules - Adopted August 4, 2010

<sup>4</sup> Full MUTCD Compliance