

## INSTALLATION INSTRUCTIONS

### BI-DIRECTIONAL LID

#### ESTIMATED ASSEMBLY TIME:

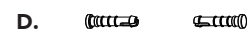
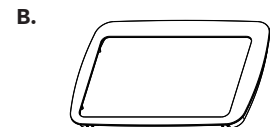
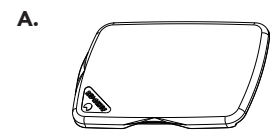
**5 MIN**

#### CARE AND MAINTENANCE:

Clean with a damp cloth and wipe parts dry.



Parts List		
No.	Description	Qty
A	Lid	1
B	Base	1
C	Hinge	1
D	Pin	2



### STEP 1

Decide the orientation you want your lid and install the hinge to the base as shown in fig. 1.

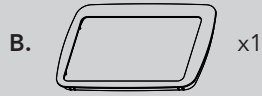
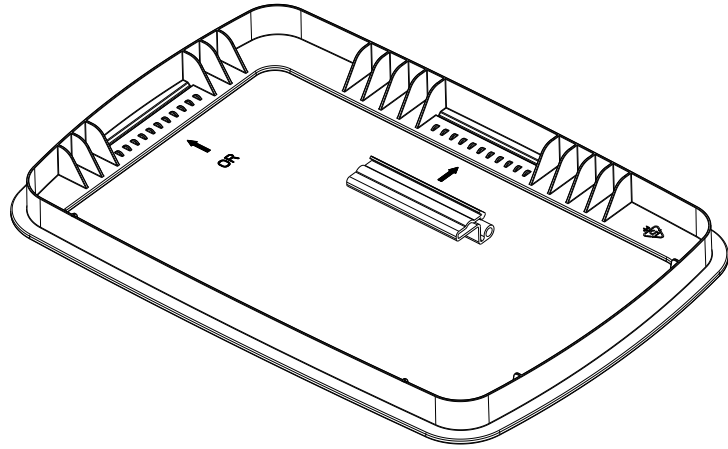


Fig 1)



### STEP 2

Place lid between the top of the base and hinge to align holes as shown in fig. 2.

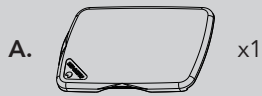
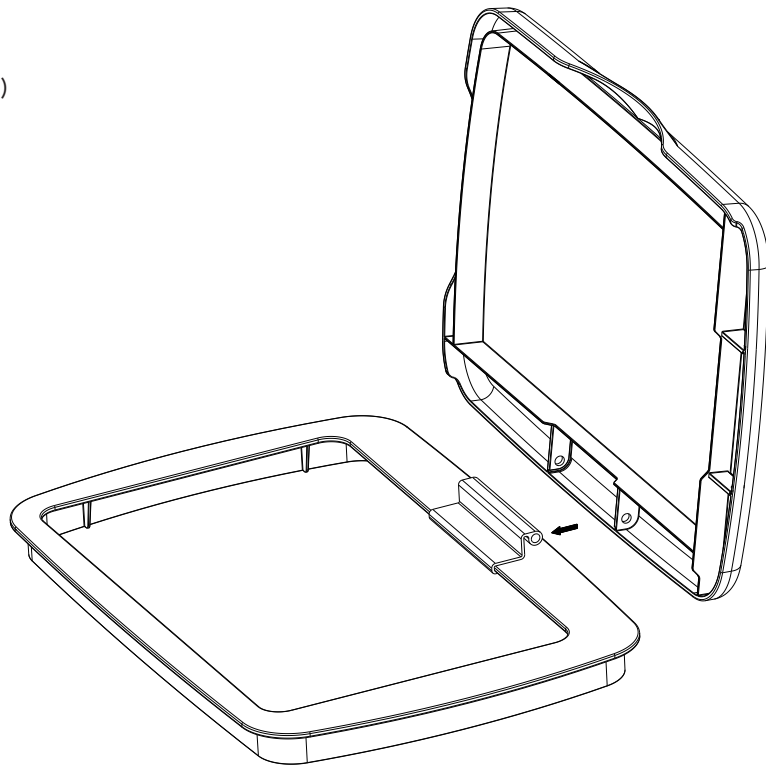


Fig 2)



### STEP 3

Insert pins on both sides and press until they snap into holes as shown in fig. 3 and 3a.

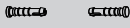
D.  x2

Fig 3)

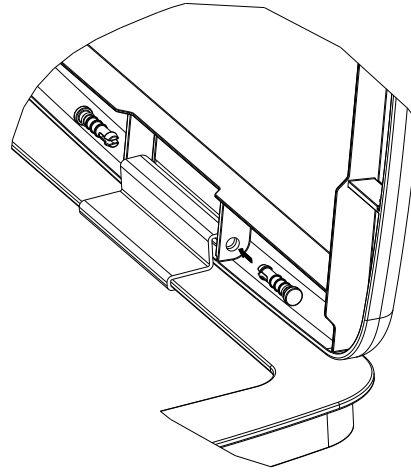
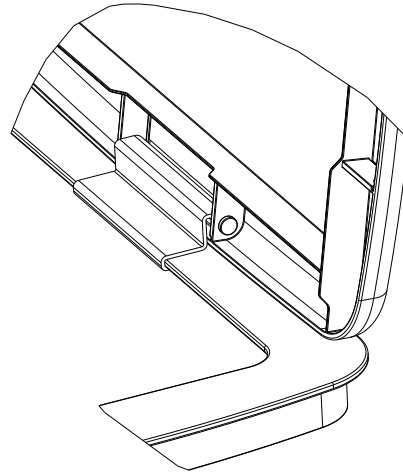


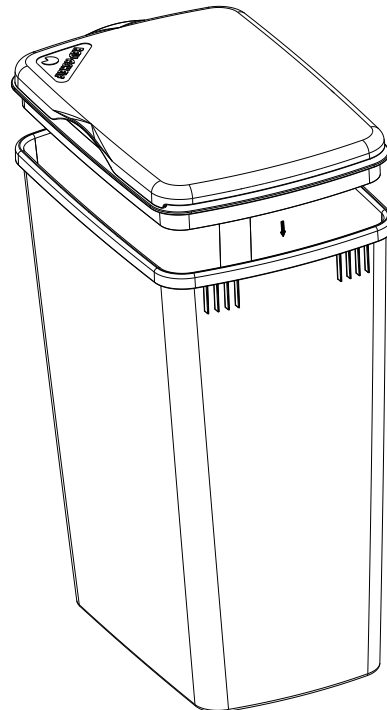
Fig 3a)



### STEP 4

Place lid onto waste can (fig 4). Your install is now complete.

Fig 4)





12400 Earl Jones Way, Louisville, KY 40299  
(800) 626-1126  
[www.rev-a-shelf.com](http://www.rev-a-shelf.com)