

# GRIDER SMALL TABLE

Thank you for choosing this quality product. Be sure to check all packaging materials carefully for small parts that may have loosened inside the carton during shipment and place on a non-abrasive surface.






**IMPORTANT**

These parts can be cumbersome and heavy to some people, therefore, the assistance of four or more people are recommended in order to prevent personal injury and ensure the furniture is not damaged during the assembly Process.

**PART LIST**

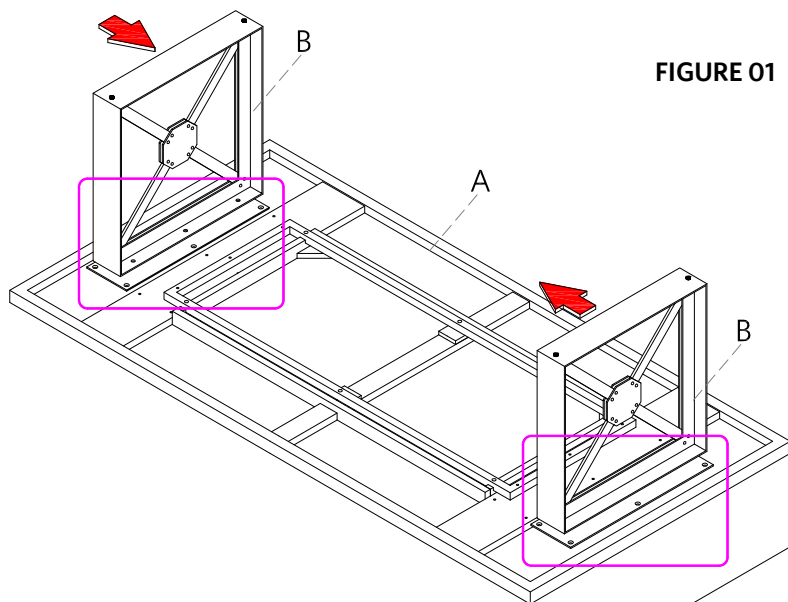
- A. [1] TOP
- B. [2] BASE

**HARDWARE LIST**

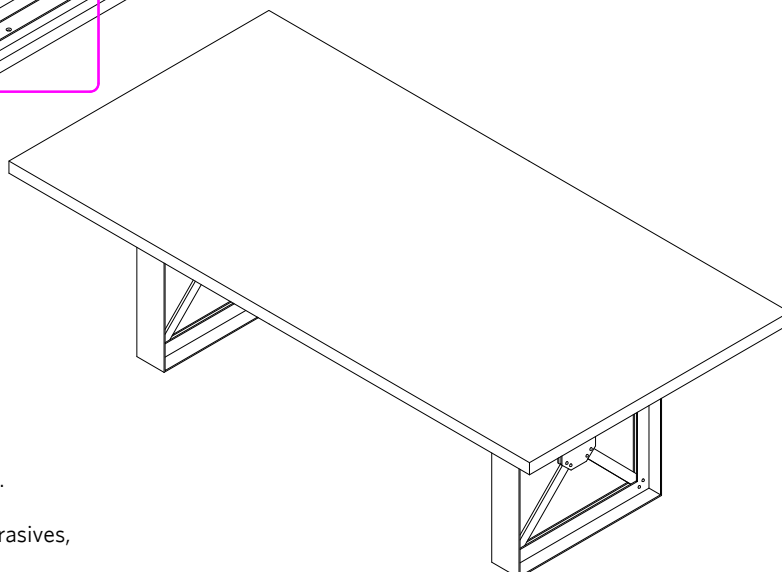
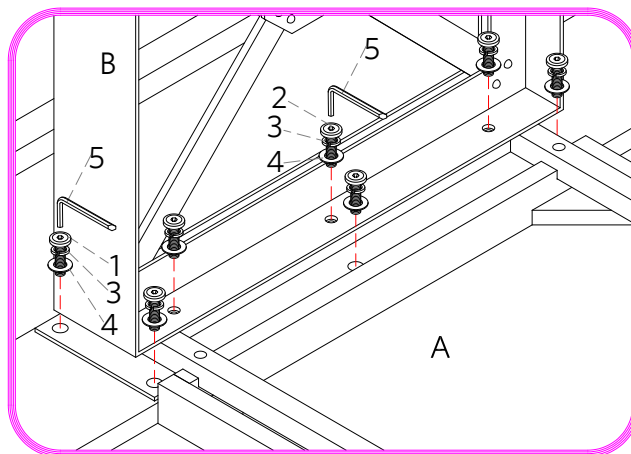
NO	ITEM	DESCRIPTION	QTY.
1		Allen Bolt M8x30mm	12 pcs.
2		Allen Bolt M8x20mm	6 pcs.
3		Lock Washer	18 pcs.
4		Flat Washer	18 pcs.
5		Allen Wrench	1 pc.

**INSTRUCTIONS**

1. On a plain and non-abrasive surface gently turn the table top (A) upside down. Gently, put the base (B) to the Table Top (A). See **FIGURE 01**.
2. Under the table top are holes for the bolt to pass through that corresponds to the holes of the bases. Align and insert Allen bolt (1), Allen bolt (2) together with lock washer (3) and flat washer (4), Tighten all the bolts by using Allen wrench (5) (do not over tighten). See **FIGURE 01**.
3. After assembly, gently lift the table into upright position.



**FIGURE 01**



**CARE INSTRUCTIONS:**

- Dust often using a clean, soft, dry lint-free cloth.
- Blot spills immediately and wipe with a clean,damp, cloth.
- We do not recommend the use of chemical cleansers, abrasives, or furniture polish on our lacquered finish.

*Thank you for your purchase*