

EVOLVE

Olympia EPOL Series

LED Post Top Lighting



Project Name _____

Date _____ Type _____

Notes _____

GLI Brands Utility Roadway Representatives Exclusively

- Reliable, uniform, illumination
- Types I, II, III, IV, V distributions
- 3000K, 4000K, 5000K CCT
- 0-10V dimming ready
- Integral surge protection: 10k in parallel, 20k in series

CONSTRUCTION

Housing:	Aluminum 360 alloy
Lens:	LED engine, TIR optics, gasket and bezel plate
Paint:	Die Cast Aluminum, Black, Dark Bronze, RAL & Customer colors available
Weight:	18-27lbs (8.2-12.2kg)

OPTICAL SYSTEM

Lumens:	1,800 – 9,300
Distribution:	Type I, Type II, Type III, Type IV Wide, Type V Square & Type V Wide
Efficacy:	55-139 LPW
CCT:	Amber, 3000K, 4000K & 5000K
CRI (Min):	70

ELECTRICAL

Input Voltage:	120-277V
Input Frequency:	50/60Hz
Power Factor:	>0.95
Total Harmonic Distortion:	<10%

SURGE PROTECTION*

Standard	Optional
10kV/5kA	20kV/10kA

*Per ANSI C136.2-2015

WARRANTY

5 Year (Standard)

10 Year (Optional)

LUMEN MAINTENANCE

Projected Lxx per IES TM-21 at 25°C

SKU	LXX(10K) @ Hours		
	25,000 HR	50,000 HR	60,000 HR
EPOL	L98	L95	L93

Note: Projected LXX based on LM80 (> 10,000 hour testing). Accepted Industry tolerances apply to initial luminous flux and lumen maintenance measurements.

AMBIENT TEMPERATURE FACTOR

Ambient Temp (°C)	Initial Flux Factor	Ambient Temp (°C)	Initial Flux Factor
10	1.02	30	0.99
20	1.01	40	0.98
25	1.00		

RATINGS

Operating Temperature:	-40°C to 40°C
Vibration:	3G per ANSI C136.31-2010
LM-79:	Available upon request
EPA:	.53 to .90

CONTROLS

Dimming:	Standard - 0-10V
Sensors:	Pole Mounted: Occupancy Sensor, On/Off control w/Photocell (optional), Occupancy Sensor, Programmable Control w/Photocell (optional), 3-pin ANSI C136.10 On/Off Receptacle (optional)

Project Name _____

Date _____ Type _____

Notes _____

EPOL 01

PROD. ID	GEN	VOLTAGE	LUMEN OUTPUT	DISTRIBUTION	CCT	LENS	HOOD STYLE	CONTROLS PER ANSI C136.41	MOUNTING	COLOR	OPTIONS
E = Evolve	01 = 1st Gen	0 = 120-277V	260 = 32W, 1800 - 4300	A = Type I	AM = Amber 595nm Peak	NL = No Lens	ANG = Angled Hood	1 = None	SA4 = Single Arm 4' Pole	BLCK = Black	R = Secondary 10kV/5kA SPD
P = Post Top		D = 347V	325 = 40W, 2000 - 5300	B = Type II	30 = 3000K	CL = Clear Lens	BEL = Bell Hood	A = 7-Pin Receptacle	TA4 = Twin Arm 4' Pole	DKBZ = Dark Bronze	T = Secondary 20kV/10kA SPD
OL = Olympia		5 = 480V	420 = 50W, 2800 - 6700	C = Type III*	40 = 4000K	DL = Diffused Lens	FLR = Flared Hood	D = 7-Pin Receptacle with Shorting Cap	SA5 = Single Arm 5' Pole		Y = Coastal
			460 = 55W, 3000 - 7200	E = Type IV, Wide	50 = 5000K		SKB = Shirted Bell Hood	E = 7 Pin Receptacle with Long Life non-Dimming PE Control	TA5 = Twin Arm 5' Pole		XXX = Special Options
			615 = 72W, 3900 - 9300	F = Type V, Square			STR = Straight Hood				
				G = Type V, Wide*							

*Diffused lens only offered in C and G (DISTRIBUTION)

PERFORMANCE DATA

LUMEN OUTPUT	REFRACTOR		TYPICAL INITIAL LUMENS			WATTAGE	BUG RATINGS		
	DIST CODE	CODE	3000K	4000K	5000K	120-277V	3000K	4000K	5000K
260	A	NL	4100	4176	4354	B1-U0-G1	B1-U0-G1	B1-U0-G1	B1-U0-G1
260	B		3788	3859	4023	B1-U0-G1	B1-U0-G1	B1-U0-G1	B1-U0-G1
260	C		3708	3777	3938	B1-U0-G1	B1-U0-G1	B1-U0-G1	B1-U0-G1
260	E		3749	3819	3985	B1-U0-G2	B1-U0-G2	B1-U0-G2	B1-U0-G2
260	F		3936	4009	4180	B2-U0-G1	B2-U0-G1	B2-U0-G1	B2-U0-G1
260	G		3822	3893	4059	B3-U0-G1	B3-U0-G1	B3-U0-G1	B3-U0-G1
260	A		CL	3769	3839	4002	B0-U0-G1	B0-U0-G1	B1-U0-G1
260	B	3482		3547	3698	B1-U0-G1	B1-U0-G1	B1-U0-G1	B1-U0-G1
260	C	3409		3472	3620	B1-U0-G1	B1-U0-G1	B1-U0-G1	B1-U0-G1
260	E	3447		3511	3660	B1-U0-G2	B1-U0-G2	B1-U0-G2	B1-U0-G2
260	F	3618		3685	3842	B2-U0-G1	B2-U0-G1	B2-U0-G1	B2-U0-G1
260	G	3513		3579	3731	B3-U0-G1	B2-U0-G1	B2-U0-G1	B2-U0-G1
260	C	DL		2943	2998	3126	B1-U0-G1	B1-U0-G1	B1-U0-G1
260	G		3020	3076	3207	B1-U0-G1	B1-U0-G1	B1-U0-G1	B1-U0-G1
325	A	NL	4999	5092	5309	B1-U0-G1	B1-U0-G1	B1-U0-G1	B1-U0-G1
325	B		4619	4705	4906	B1-U0-G1	B1-U0-G1	B1-U0-G1	B1-U0-G1
325	C		4522	4606	4802	B1-U0-G2	B1-U0-G2	B1-U0-G2	B1-U0-G2
325	E		4572	4657	4856	B1-U0-G2	B1-U0-G2	B1-U0-G2	B1-U0-G2
325	F		4799	4889	5097	B2-U0-G1	B2-U0-G1	B2-U0-G1	B2-U0-G1
325	G		4660	4747	4950	B3-U0-G1	B3-U0-G1	B3-U0-G1	B3-U0-G1
325	A		CL	4595	4681	4881	B1-U0-G1	B1-U0-G1	B1-U0-G1
325	B	4246		4325	4510	B1-U0-G1	B1-U0-G1	B1-U0-G1	B1-U0-G1
325	C	4156		4234	4414	B1-U0-G1	B1-U0-G1	B1-U0-G1	B1-U0-G1
325	E	4206		4284	4464	B1-U0-G2	B1-U0-G2	B1-U0-G2	B1-U0-G2
325	F	4412		4494	4685	B2-U0-G1	B2-U0-G1	B2-U0-G1	B2-U0-G1
325	G	4284		4364	4550	B3-U0-G1	B3-U0-G1	B3-U0-G1	B3-U0-G1
325	C	DL		3581	3647	3809	B1-U0-G1	B1-U0-G1	B1-U0-G1
325	G		3691	3760	3920	B1-U0-G1	B1-U0-G1	B2-U0-G1	B2-U0-G1
420	A	NL	6298	6416	6689	B1-U0-G1	B1-U0-G1	B1-U0-G1	B1-U0-G1
420	B		5820	5928	6161	B1-U0-G1	B1-U0-G1	B1-U0-G1	B1-U0-G1
420	C		5697	5803	6050	B1-U0-G2	B1-U0-G2	B1-U0-G2	B1-U0-G2
420	E		5760	5867	6118	B1-U0-G3	B1-U0-G3	B1-U0-G3	B1-U0-G3
420	F		6047	6159	6422	B2-U0-G1	B2-U0-G1	B3-U0-G1	B3-U0-G1
420	G		5872	5981	6236	B3-U0-G1	B3-U0-G1	B3-U0-G1	B3-U0-G1
420	A		CL	5790	5898	6149	B1-U0-G1	B1-U0-G1	B1-U0-G1
420	B	5350		5449	5681	B1-U0-G1	B1-U0-G1	B1-U0-G1	B1-U0-G1
420	C	5237		5334	5561	B1-U0-G2	B1-U0-G2	B1-U0-G2	B1-U0-G2
420	E	5295		5394	5624	B1-U0-G3	B1-U0-G3	B1-U0-G3	B1-U0-G3
420	F	5558		5662	5909	B2-U0-G1	B2-U0-G1	B2-U0-G1	B2-U0-G1
420	G	5398		5498	5732	B3-U0-G1	B3-U0-G1	B3-U0-G1	B3-U0-G1
420	C	DL		4511	4595	4791	B1-U0-G1	B1-U0-G1	B1-U0-G1
420	G		4562	4647	4845	B2-U0-G1	B2-U0-G1	B2-U0-G1	B2-U0-G1

PERFORMANCE DATA - CONTINUED

LUMEN OUTPUT	REFRACTOR		TYPICAL INITIAL LUMENS			WATTAGE	BUG RATINGS		
	DIST CODE	CODE	3000K	4000K	5000K	120-277V	3000K	4000K	5000K
460	A	NL	6811	6937	7233	B1-U0-G1	B1-U0-G1	B1-U0-G1	B1-U0-G1
460	B		6293	6410	6683	B1-U0-G2	B1-U0-G2	B1-U0-G2	B1-U0-G2
460	C		6160	6275	6542	B1-U0-G2	B1-U0-G2	B1-U0-G2	B1-U0-G2
460	E		6229	6345	6615	B1-U0-G3	B1-U0-G3	B1-U0-G3	B1-U0-G3
460	F		6538	6660	6944	B3-U0-G1	B3-U0-G1	B3-U0-G1	B3-U0-G1
460	G		6349	6467	6743	B3-U0-G1	B3-U0-G1	B3-U0-G1	B3-U0-G1
460	A		CL	6261	6377	6649	B1-U0-G1	B1-U0-G1	B1-U0-G1
460	B	5785		5892	6144	B1-U0-G1	B1-U0-G1	B1-U0-G1	B1-U0-G1
460	C	5661		5768	6014	B1-U0-G2	B1-U0-G2	B1-U0-G2	B1-U0-G2
460	E	5726		5832	6081	B1-U0-G3	B1-U0-G3	B1-U0-G3	B1-U0-G3
460	F	6010		6122	6383	B2-U0-G1	B2-U0-G1	B3-U0-G1	B3-U0-G1
460	G	5836		5945	6199	B3-U0-G1	B3-U0-G1	B3-U0-G1	B3-U0-G1
460	C	DL		4878	4969	5181	B1-U0-G1	B1-U0-G1	B1-U0-G1
460	G		5028	5122	5340	B2-U0-G1	B2-U0-G1	B2-U0-G1	B2-U0-G1
615	A	NL	8791	8954	9336	B1-U0-G1	B1-U0-G1	B1-U0-G1	B1-U0-G1
615	B		8122	8274	8626	B1-U0-G2	B1-U0-G2	B1-U0-G2	B1-U0-G2
615	C		7951	8099	8444	B1-U0-G2	B1-U0-G2	B1-U0-G2	B1-U0-G2
615	E		8040	8189	8538	B1-U0-G3	B1-U0-G3	B1-U0-G3	B1-U0-G3
615	F		8439	8596	8963	B3-U0-G1	B3-U0-G1	B3-U0-G1	B3-U0-G1
615	G		8195	8348	8703	B3-U0-G2	B3-U0-G2	B3-U0-G2	B3-U0-G2
615	A		CL	8081	8231	8582	B1-U0-G1	B1-U0-G1	B1-U0-G1
615	B	7467		7605	7930	B1-U0-G2	B1-U0-G2	B1-U0-G2	B1-U0-G2
615	C	7309		7445	7762	B1-U0-G2	B1-U0-G2	B1-U0-G2	B1-U0-G2
615	E	7390		7528	7849	B1-U0-G3	B1-U0-G3	B1-U0-G3	B1-U0-G3
615	F	7758		7902	8239	B3-U0-G1	B3-U0-G1	B3-U0-G1	B3-U0-G1
615	G	7533		7674	8001	B3-U0-G2	B3-U0-G2	B3-U0-G2	B3-U0-G2
615	C	DL		6297	6414	6687	B2-U0-G1	B2-U0-G2	B2-U0-G2
615	G		6490	6611	6893	B2-U0-G1	B2-U0-G1	B2-U0-G1	B2-U0-G1

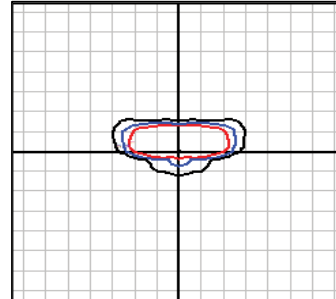
For additional information on EPOL IES files, please click the following link:

[EPOL IES Files](#)

EPOL-01-0-615-A-40

LUMINAIRE DATA

Description	4000 Kelvin, 70CRI
Delivered Lumens	8955
Watts	71.59
Efficacy	125
IES Type	I
BUG Rating	B1-U0-G1
Mounting Height	15 ft
Grid Scale	15 ft



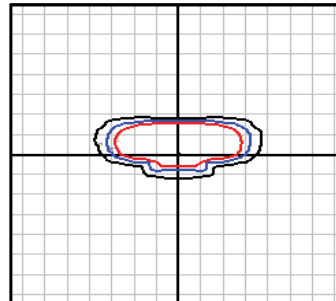
15' Mounting Height



EPOL-01-0-615-B-40

LUMINAIRE DATA

Description	4000 Kelvin, 70CRI
Delivered Lumens	8274
Watts	71.59
Efficacy	116
IES Type	II
BUG Rating	B1-U0-G2
Mounting Height	15 ft
Grid Scale	15 ft



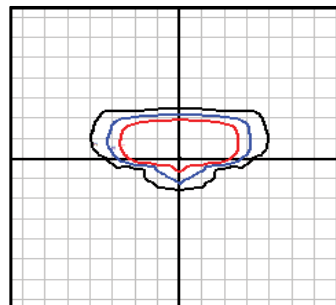
15' Mounting Height



EPOL-01-0-615-C-40

LUMINAIRE DATA

Description	4000 Kelvin, 70CRI
Delivered Lumens	8100
Watts	71.59
Efficacy	113
IES Type	III
BUG Rating	B1-U0-G2
Mounting Height	15 ft
Grid Scale	15 ft



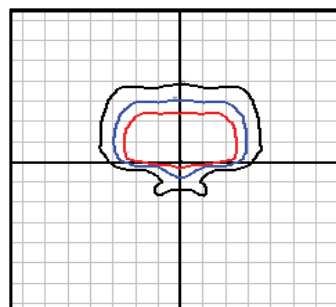
15' Mounting Height



EPOL-01-0-615-E-40

LUMINAIRE DATA

Description	4000 Kelvin, 70CRI
Delivered Lumens	8189
Watts	71.6
Efficacy	114
IES Type	IV-Wide
BUG Rating	B1-U0-G3
Mounting Height	15 ft
Grid Scale	15 ft



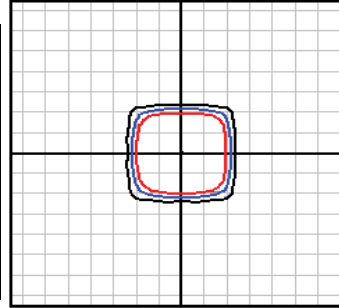
15' Mounting Height



EPOL-01-0-615-F-40

LUMINAIRE DATA

Description	4000 Kelvin, 70CRI
Delivered Lumens	8597
Watts	71.6
Efficacy	120
IES Type	VS-Square
BUG Rating	B3-U0-G1
Mounting Height	15 ft
Grid Scale	15 ft



15' Mounting Height

1.0 FC

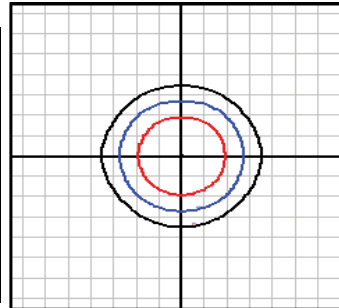
0.5 FC

0.2 FC

EPOL-01-0-615-G-40

LUMINAIRE DATA

Description	4000 Kelvin, 70CRI
Delivered Lumens	8349
Watts	71.6
Efficacy	117
IES Type	VS-Wide
BUG Rating	B3-U0-G2
Mounting Height	15 ft
Grid Scale	15 ft



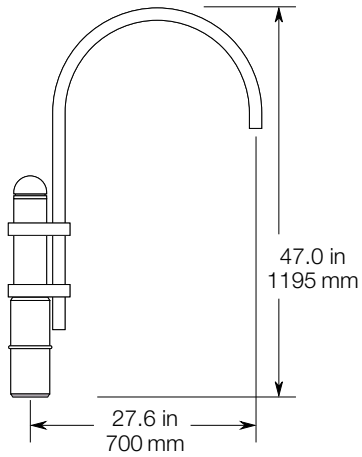
15' Mounting Height

1.0 FC

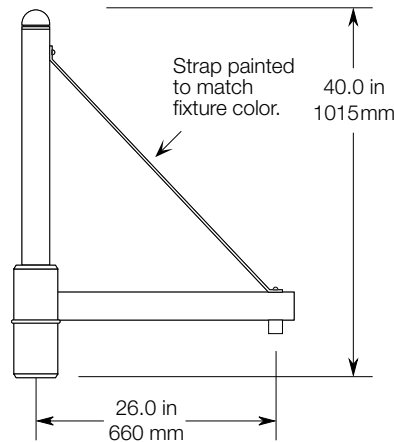
0.5 FC

0.2 FC

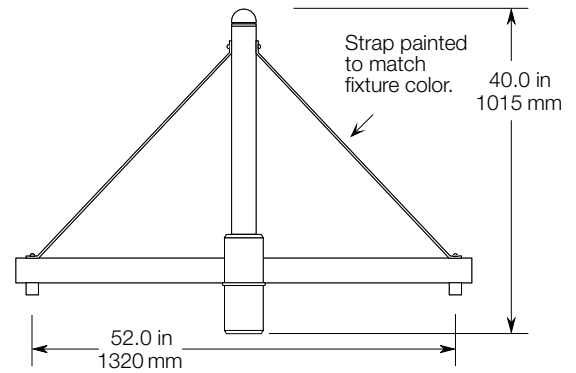
MOUNTING OPTIONS



**SINGLE: SA4
TWIN: TA4**



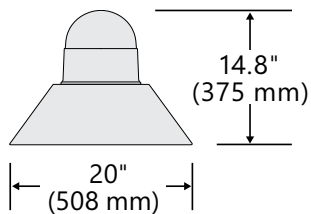
SINGLE: SA5



TWIN POLE: TA5

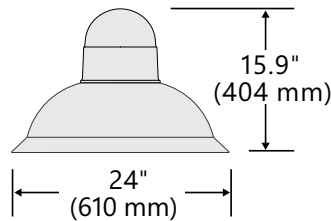
HOOD CONFIGURATIONS

ANGLED



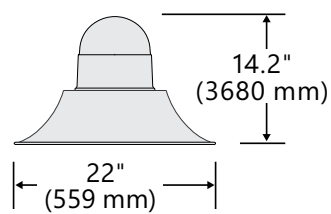
UCM-ANG
18.25 lbs/8.28 kg
EPA: .60

BELL



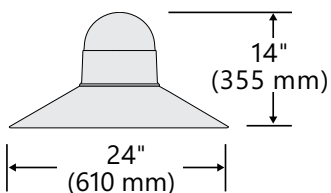
UCM-BEL
20.25 lbs/9.2 kg
EPA: .73

FLARE



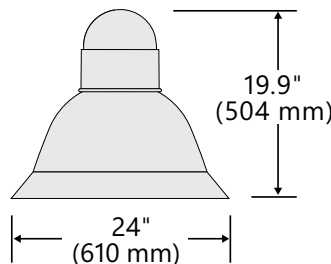
UCM-FLR
18.5 lbs/8.4 kg
EPA: .53

STRAIGHT



UCM-STR
20 lbs/9.07 kg
EPA: .59

SKIRTED BELL



UCM-SKB
20.5 lbs/9.3 kg
EPA: .90