

TGL4

Select LED Backlit Troffer

Product Description

The TGL4 is a high-performance, contractor-grade LED troffer designed to meet the demands of commercial environments. Featuring a large, highly accessible junction box and a sealed, maintenance-free chamber with a seamless aluminum frame, it effectively keeps out dust and insects. The fixture is equipped with a precision-engineered, textured diffuser that provides maximum lumen output and uniform light distribution, eliminating hot spots or shadowing. Available with selectable CCT and lumen output options, users can choose between 3500K, 4000K, or 5000K CCTs, as well as low, medium, or high lumen outputs. Additionally, it holds the DLC 5.1 Standard certification, ensuring exceptional quality and performance. Ideal for offices, hospitals, and a variety of other commercial spaces, the TGL4 offers a reliable and efficient lighting solution.

Construction

- Extruded aluminum frame with powder coat finish
- Durable stamped housing
- High efficiency, maintenance-free LED chamber
- Smooth formed sides for safe handling
- Increased junction box volume* with 7 wiring knockouts.

Optical System

- Patented internal optical system
- Precision engineered polystyrene diffuser
- High reflectivity internal coating
- No visible diodes, hot-spots, or shadows providing high uniformity, and reduced glare
- 80 CRI for good color definition in public places

Electrical

- Input voltage of 120-277VAC
- Dim-to-off dimming via 0-10VDC controls
- CCT and Wattage selector switches accessible on junction box
- Power factor > 0.98
- THD < 10%
- Luminaire surge protection level: designed to withstand up to 2.5kV ring wave per ANSI C82.77-5-2017 requirements for Indoor Hard-wired and Indoor Portable Luminaires
- Operating temperature range: -4°F to 104°F (-20° to 40°C)

Mounting and installation

- Single cover plate with access to both line and low voltage connections
- Emergency battery backup available (MTO and Quick Ship)
- Integral grid tie clips with wire holes provided for seismic requirements
- Surface mount installation with an optional adapter
- Drywall installation with an optional adaptor
- For installations where power surge may be possible, NICOR recommends installing additional surge protection at the fixture or electrical distribution panel

Listings

- cULus 1598 Listed for damp locations
- Certified for direct contact with insulation (IC)
- RoHS Compliant
- DLC 5.1 Standard Listing
- Meets FCC Part 15, Subpart B, Class A standards for conducted and radiated emissions
- TM-21 Reported L70(9k) life >54,000 hours
- LM-79, LM-80 testing performed in accordance with IESNA standards

Warranty

- 5-year limited system warranty standard
- Warranty does not cover product failure due to an overvoltage event (power surge.)

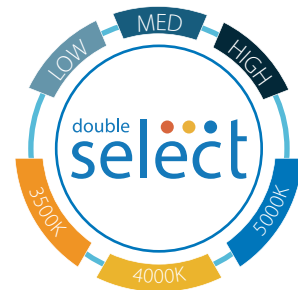
* vs. previous TGL models

Project

Catalog

Type

Date



TGL4
LED Backlit Troffer
2x2, 2x4
Selectable Wattage & CCT



TGL4

Select LED Backlit Troffer

Ordering

Ordering Information							Example: TGL42240SUS8
Series	Version	Size	Wattage	Voltage	CCT	CRI	EM (Optional)
TGL	4	22 (2 x 2)	40S (40/30/20)	U (120-277V)	S (35/40/50)	8 (>80)	Blank (none)
		14 (1 x 4)	50S (50/40/30)				E1 (4.5W) ¹
		24 (2 x 4)					E2 (8W - MTO) ¹
							E3 (8W - QS) ²

Specifications and dimensions subject to change without notice.

1) Factory installation only - call factory for leadtime

2) Preinstalled - ready to ship

Accessories

Surface Mount Kit - 2x2	SK22M10WH
Flange Kit - 2x2	TPE10FK22
Surface Mount Kit - 2x4	SK24M10WH
Flange Kit - 2x4	TPE10FK24

Recommended Dimmers*

Lutron NTSTV
Lutron DVSTV
Cooper SF10P
Legrand RH4FBL3PW

*Not a complete list.

Check compatibility before installation.

Photometric Data

Model	Output Setting	Performance Data				Emergency Pack Performance Data	
		Nominal CCT	Lumens	Max Watts	Efficiency	E1 Lumens	E2/E3 Lumens
TGL422	Standard	3500	2467	20.0	123.4	555	987
		4000	2625	19.2	136.5	614	1092
		5000	2475	19.9	124.7	561	997
	Medium	3500	3701	30.0	123.4	555	987
		4000	3938	28.8	136.5	614	1092
		5000	3713	29.8	124.7	561	997
	High	3500	4934	42.6	115.3	519	923
		4000	5250	40.9	127.7	574	1021
		5000	4950	42.3	116.6	525	932
TGL424	Standard	3500	3035	30.0	101.2	455	809
		4000	3223	28.8	111.8	503	894
		5000	3039	29.8	102.1	459	816
	Medium	3500	4553	40.0	113.8	512	911
		4000	4835	38.5	125.7	566	1006
		5000	4559	39.7	114.8	517	919
	High	3500	6070	52.1	141.9	638	1135
		4000	6446	50.1	156.7	705	1254
		5000	6079	51.7	143.1	644	1145
TGL414	Standard	3500	4783	42.1	113.5	547	973
		4000	5022	40.7	123.3	557	991
		5000	4663	40.9	114.0	548	975
	Medium	3500	4783	42.1	113.5	547	973
		4000	5022	40.7	123.3	557	991
		5000	4663	40.9	114.0	548	975
	High	3500	4766	42.1	113.1	547	972
		4000	5004	40.7	122.9	557	990
		5000	4646	40.9	113.6	548	974

Specifications and dimensions subject to change without notice.

NICOR LLC 2200 Midtown Place NE, Albuquerque, NM 87107 P: 800.821.6283 F: 800.892.8393

www.nicorlighting.com March 18, 2026 3:35 PM TGL4 Page 2 of 4



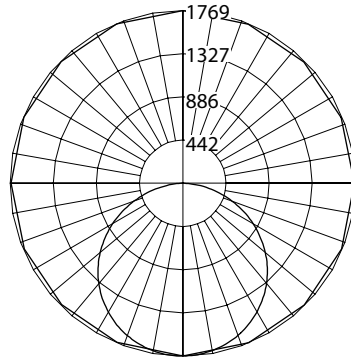
TGL4

Select LED Backlit Troffer

Photometric Data

TGL422 40K 40W

Input Voltage (VAC)	120-277
System Level Power (W)	40.9
Delivered Lumens (Lm)	5250
System Efficacy (Lm/W)	128.4
Correlated Color Temp (K)	4122
Color Rendering Index (CRI)	84
Beam Angle (0)	115.9
Beam Angle (90)	115.6
Spacing Criteria (0)	1.30
Spacing Criteria (90)	1.28

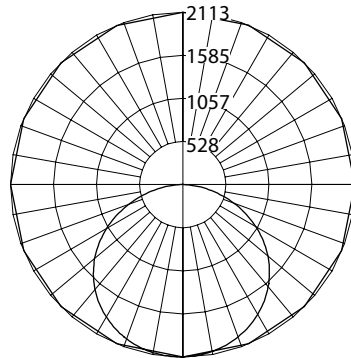


Cone of Light Tabulation		
Mounted height (Feet)	Footcandles Beam Center	Diameter (Feet)
8	27.5	25.6
10	17.6	31.9
12	12.2	38.3
14	9.0	44.7

Data Multiplier			
TGL422			
	35K	40K	50K
Low	0.470	0.500	0.471
Med	0.705	0.750	0.707
High	0.940	1.000	0.943

TGL424 40K 50W

Input Voltage (VAC)	120-277
System Level Power (W)	50.1
Delivered Lumens (Lm)	6447
System Efficacy (Lm/W)	128.7
Correlated Color Temp (K)	4220
Color Rendering Index (CRI)	84
Beam Angle (0)	115.9
Beam Angle (90)	120.5
Spacing Criteria (0)	1.32
Spacing Criteria (90)	1.28



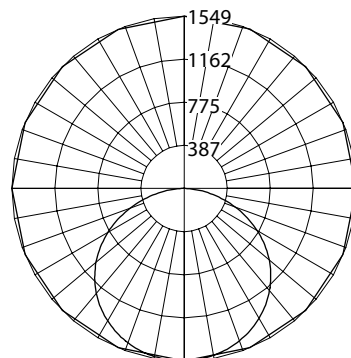
Cone of Light Tabulation		
Mounted height (Feet)	Footcandles Beam Center	Diameter (Feet)
8	33.0	25.6
10	21.1	31.9
12	14.6	38.3
14	10.7	44.7

Data Multiplier			
TGL424			
	35K	40K	50K
Low	0.471	0.500	0.471
Med	0.706	0.750	0.707
High	0.942	1.000	0.943

Fixture tested per LM-79-08. Photometric data is of the performance of a representative fixture. Results may vary in the field.

TGL414 40K 40W

Input Voltage (VAC)	120-277
System Level Power (W)	40.7
Delivered Lumens (Lm)	5022
System Efficacy (Lm/W)	123.5
Correlated Color Temp (K)	4136
Color Rendering Index (CRI)	84
Beam Angle (0)	113.3
Beam Angle (90)	120.5
Spacing Criteria (0)	1.32
Spacing Criteria (90)	1.28



Cone of Light Tabulation		
Mounted height (Feet)	Footcandles Beam Center	Diameter (Feet)
8	19.4	24.3
10	12.4	30.4
12	8.6	36.5
14	6.3	42.5

Data Multiplier			
TGL414			
	35K	40K	50K
Low	0.9558	1.0036	5000K
Med	0.9558	1.0036	0.9317
High	0.9524	1.0000	0.9283

Fixture tested per LM-79-08. Photometric data is of the performance of a representative fixture. Results may vary in the field.

This device complies with part 15 of the FCC Rules. Operation is subject to the following two conditions: (1) This device may not cause harmful interference, and (2) this device must accept any interference received, including interference that may cause undesired operation.

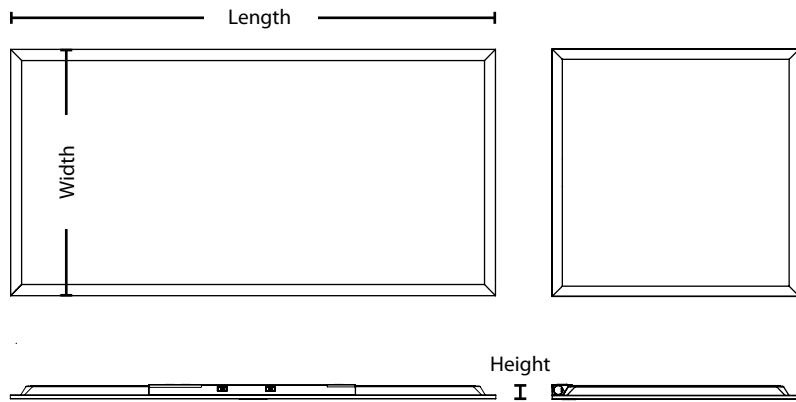
NOTE: This equipment has been tested and found to comply with the limits for a Class A digital device, pursuant to part 15 of the FCC Rules. These limits are designed to provide reasonable protection against harmful interference when the equipment is operated in a commercial environment. This equipment generates, uses, and can radiate radio frequency energy and, if not installed and used in accordance with the instruction manual, may cause harmful interference to radio communications. Operation of this equipment in a residential area is likely to cause harmful interference in which case the user will be required to correct the interference at his own expense.

TGL4

Select LED Backlit Troffer

Dimensions

	TGL422	TGL424	TGL414
Length	23.74" (603mm)	47.75" (1213mm)	47.75" (1213mm)
Width	23.74" (603mm)	23.74" (603mm)	11.89" (302mm)
Height	1.46" (37mm)		



View of top with EM pack

