

H12V3SENSOR

12V Motion Sensors PIR & MW

Product Description

The H12V3 series of sensors provides highly configurable, IP65 rated motion detection using Microwave or PIR technology. Able to be mounted up to 50ft and with an integrated daylight sensor, an H12V3SENSOR combined with a NICOR LED Highbay, Outdoor or Linear fixture is ideal for manufacturing, warehouse, storage and other large installation spaces.

Construction

- All polymer, fully sealed body
- IP65 rated
- Built in daylight sensor

Electrical

- Self contained relay, no power pack required
- Adjustable dials on sensor body
- Programmable through H12V2REMOTE (sold separately) allows additional settings
- Highly configurable: Detection Area, Time Delay, Daylight Threshold

Installation

- Threaded connection to fixture socket
- Max mounting height : 50ft
- Operating temperature range : -18°F ~ +140°F (-20°C ~ +60 °C)
- No field calibration required

Warranty

- 5-year limited system warranty standard
- Note: Performance is of a representative fixture. Results may vary in the field as a result of installation environment and application.

Project

Catalog

Type

Date



H12V3SENSORMW#PXX



H12V3SENSORPIR#PXX

H12V3SENSOR

12V PIR or MW Sensor



H12V3SENSOR

12V Motion Sensors PIR & MW

Ordering Information					Example: H12V3SENSORPIR1PWH
Series	Version	Accessory Type	Sensor Type	# of Pins	Finish Color
H12V	3	SENSOR	PIR	1P	WH
			MW	3P	BG

Specifications and dimensions subject to change without notice

PIR

Voltage Input	12-24VDC
Signal	NO/OFF, 0-10V dimming , Remote can switch off signal receiving
Stand-by Power	< 15mA
PIR Sensitivity	3200V/W
Installation Height	≤12m/39.37ft
Control device	H12V2REMOTE remote, "MH"control ON/OFF of signal receiving , 5 pcs rotating switch setting setting
Hold Time	Set by remote control : 5s/30s/1min/3min/5min/10min/20min/30min Rotating switch : 5s/1min/5min/10min
Detection Area	Set by remote control : 25%/50%/75%/100% Rotating switch : 25% / 50% / 75% / 100%
Daylight Threshold	Set by remote control (lux): Disable /400Lux/350Lux/300lux/250Lux / 200Lux/120lux/80lux/50Lux/ 30lux/10lux/2lux Rotating switch : Disable /400Lux/200Lux/50Lux
Stand-by Dimming Level	Set by remote control : 10%/ 20%/ 30%/ 50% Rotating switch : 10%/ 20%/ 30%/ 50%
Stand-by Period	Set by remote control : 0s/10s/30s/1min/5min/10min/30min/60min/+∞ Rotating switch : 0s/10min/30min/+∞
Dusk/Dawn Sensing/Photocell	1. STANDBY DIM LEVEL as any of 10% 20% 30% 2. STANDBY PERIOD as infinite 3. DAYLIGHT as any of 30Lux/50Lux/80Lux/120Lux/200Lux/250Lux/300Lux/350Lux/400Lux
Daylight Harvesting	1. Stay in SENSOR MODE 2. STANDBY PERIOD as 0S 3. DAYLIGHT as any of 50Lux/80Lux/120Lux/200Lux/250Lux/300Lux/350Lux/400Lux 4. Press DAYLIGHT HARVESTING button to ON
Fixture Brightness	Set by remote control: 100% and adjustable in increments of 5%. Consult fixture spec sheets for exact data.
Environmental Requirements	In accordance with CE ROHS
Working Temp	-68°F to 140°F (-20°C to +60°C)
IP Rating	IP65

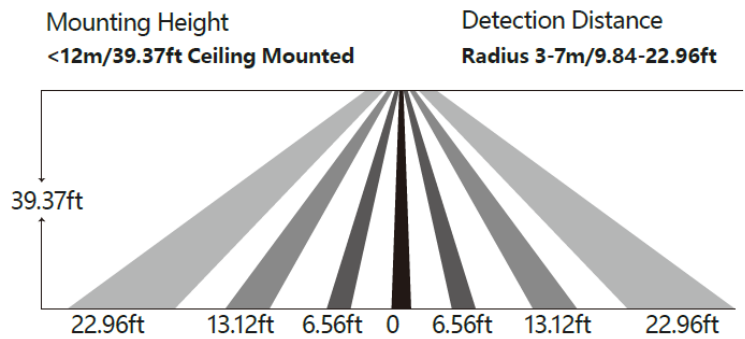
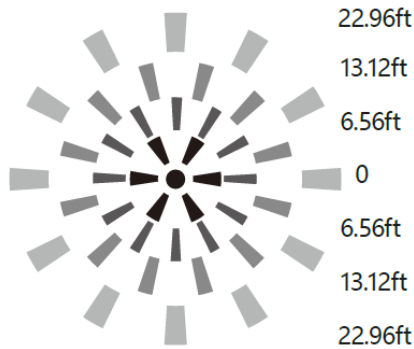
MW

Voltage Input	12-24VDC
Signal	NO/OFF, 0-10V dimming , Remote can switch off signal receiving
Frequency	5.8GHz±75MHz
Stand-by Power	<30mA
Installation Height	≤15m/49.21 Max.
Control device	H12V2REMOTE remote, "MH"control ON/OFF of signal receiving , 5 pcs rotating switch setting setting
Hold Time	Set by remote control : 5s / 30s / 1min / 3min / 5min / 10min / 20min / 30min Rotating switch : 5s/1min/ 5min/10min
Detection Area	Set by remote control : 25%/50%/75%/100% Rotating switch : 25% / 50% / 75% / 100%
Daylight Threshold	Set by remote control (lux): Disable /400Lux/350Lux/300lux/250Lux / 200Lux/120lux/80lux/50Lux/ 30lux/10lux/2lux Rotating switch : Disable /400Lux/200Lux/50Lux
Stand-by Dimming Level	Set by remote control : 10%/ 20%/ 30%/ 50% Rotating switch : 10%/ 20%/ 30%/ 50%
Stand-by Period	Set by remote control : 0s/10s/30s/1min/5min/10min/30min/60min/+∞ Rotating switch : 0s/10min/30min/+∞
Dusk/Dawn Sensing/Photocell	1. STANDBY DIM LEVEL as any of 10% 20% 30% 2. STANDBY PERIOD as infinite 3. DAYLIGHT as any of 30Lux/50Lux/80Lux/120Lux/200Lux/250Lux/300Lux/350Lux/400Lux
Daylight Harvesting	1. Stay in SENSOR MODE 2. STANDBY PERIOD as 0S 3. DAYLIGHT as any of 50Lux/80Lux/120Lux/200Lux/250Lux/300Lux/350Lux/400Lux 4. Press DAYLIGHT HARVESTING button to ON
Fixture Brightness	Set by remote control: 100% and adjustable in increments of 5%. Consult fixture spec sheets for exact data.
Environmental Requirements	In accordance with CE ROHS
Working Temp	-68°F to 140°F (-20°C to +60°C)
IP Rating	IP65

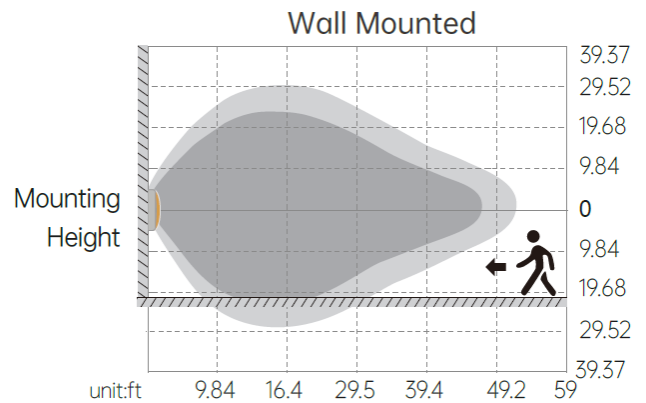
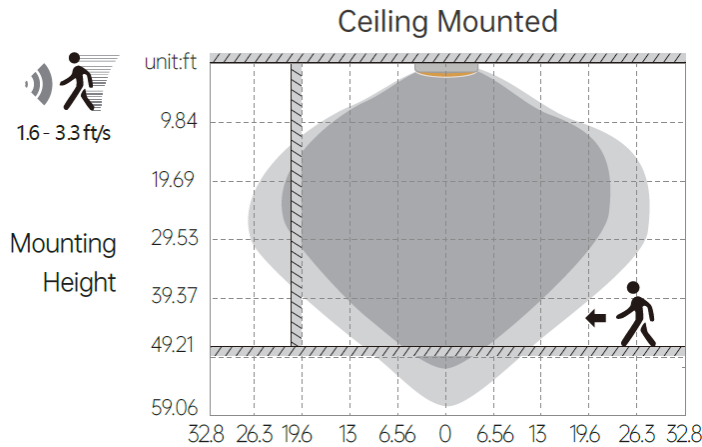
H12V3SENSOR

12V Motion Sensors PIR & MW

Detection Coverage - PIR



Detection Coverage - MW



Highest mounting height is 15m/49.21ft

This figure indicates the maximum distance at the highest mounting height with 100% sensitivity.

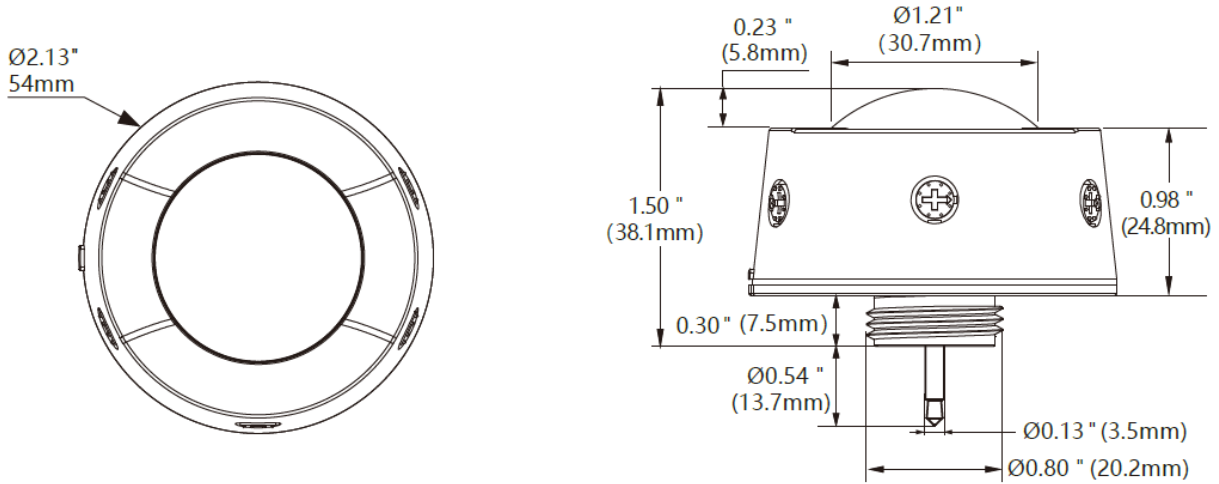
■ Well Detected Area ■ Possibly Detected Area

H12V3SENSOR

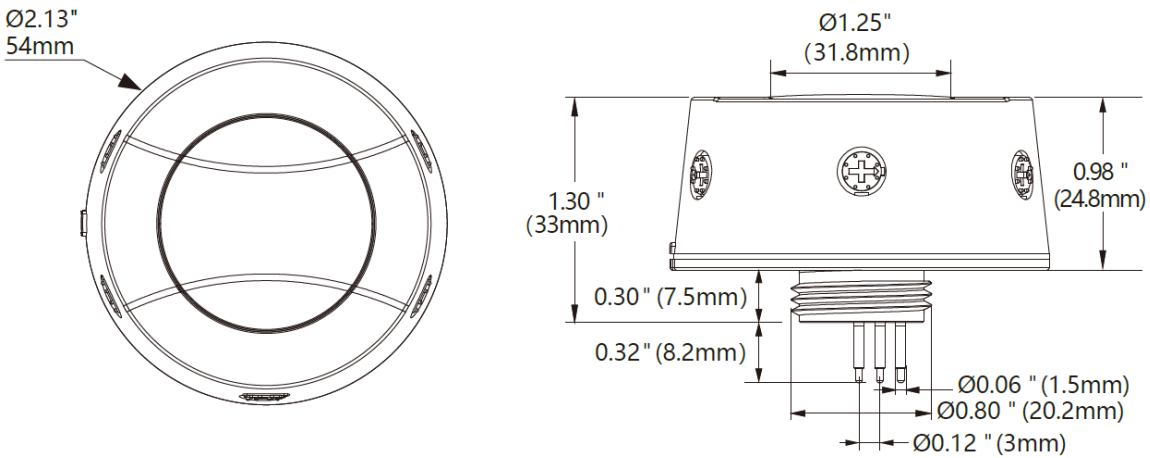
12V Motion Sensors PIR & MW

Dimensions

PIR



MW



H12V3SENSOR

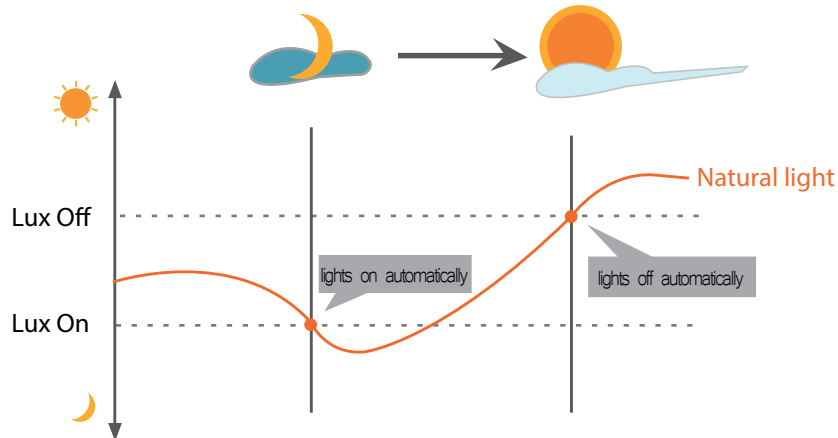
12V Motion Sensors PIR & MW

Lux On / Off

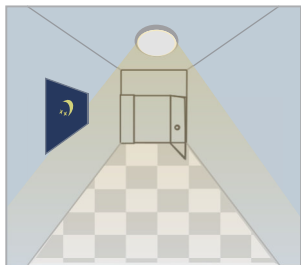
Note: Adopted dual PD technology, both the PIR and MW sensors are able to differentiate artificial light brightness from natural light after installed inside the fixture, and automatically turn off light when ambient brightness exceeds preset lux level.

Preconditions to use the lux-off function:

1. Stand-by time is $+\infty$;
2. Stand-by dimming level is on 10%, 20%, 30%, or 50%;
3. Daylight threshold is on 10 Lux, 30 Lux, 50 Lux or 100 Lux.



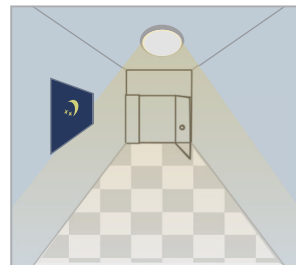
Application - Lux On / Off



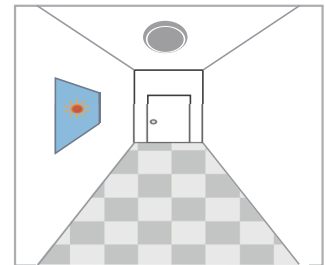
Light automatically on when ambient brightness is lower than preset lux level.



With insufficient ambient brightness, light dims to 100% when motion detected.



Light dims to stand-by level if no motion detected after hold time.



Lights off when ambient lux level is higher than preset lux amount.

EXPRESS LIMITED WARRANTY

Subject to the exclusions contained below, NICOR Inc. (NICOR) warrants that all NICOR LED branded Solid State Lighting products made by NICOR to be free from defects in materials and workmanship, under normal consumer usage for a period of 5 years from date of purchase. This limited warranty is a consumer's exclusive remedy, and applies only to new products purchased and used by consumers in the United States or Canada, which are accompanied by this written warranty.

This limited warranty extends only to the first consumer purchaser, and is not transferable. A consumer wishing to invoke the terms of this warranty must first obtain a RGA number within 30 days of discovery of the defect, and return the product to NICOR for inspection. Once verified to be covered by this limited warranty, NICOR will, at its discretion, repair, replace or refund the purchase price of any product that does not conform to this limited warranty.

This limited warranty covers only defects in material and workmanship associated with normal installation and intended use of the product.

THIS LIMITED WARRANTY DOES NOT COVER THE FOLLOWING:

- Defects or damages resulting from improper operation, storage, misuse or abuse, accident or neglect;
- Defects or damages resulting from improper service, testing, adjustment, installation, maintenance, alteration, connection to out-of-specification electrical service, corrosive or damp environments, or connection to incompatible equipment or devices (e.g., connecting non-dimmable lighting products to dimmers);
- Damage which occurs in transit; and
- Labor or other charges or expenses associated with the removal, repair, or re-installation of defective or replacement products.

ANY IMPLIED WARRANTIES, INCLUDING WITHOUT LIMITATION, THE IMPLIED WARRANTIES OF MERCHANTABILITY AND FITNESS FOR A PARTICULAR PURPOSE SHALL BE LIMITED TO THE DURATION OF THIS LIMITED WARRANTY, OTHERWISE THE REPAIR, REPLACEMENT OR REFUND AS PROVIDED UNDER THIS EXPRESS LIMITED WARRANTY IS THE EXCLUSIVE REMEDY OF THE CONSUMER, AND IS PROVIDED IN LIEU OF ALL OTHER WARRANTIES, EXPRESS OR IMPLIED. IN NO EVENT SHALL NICOR BE LIABLE, WHETHER IN CONTRACT OR IN TORT (INCLUDING NEGLIGENCE) FOR DAMAGES IN EXCESS OF THE PURCHASE PRICE OF THE PRODUCT, OR FOR ANY INDIRECT, INCIDENTAL, SPECIAL OR CONSEQUENTIAL DAMAGES OF ANY KIND, OR LOSS OF REVENUE OR PROFITS, LOSS OF BUSINESS OR OTHER FINANCIAL LOSS ARISING OUT OF OR IN CONNECTION WITH THE ABILITY OR INABILITY TO USE THE PRODUCT TO THE FULL EXTENT THESE DAMAGES MAY BE DISCLAIMED BY LAW.

Copyright 2022, NICOR, Inc.