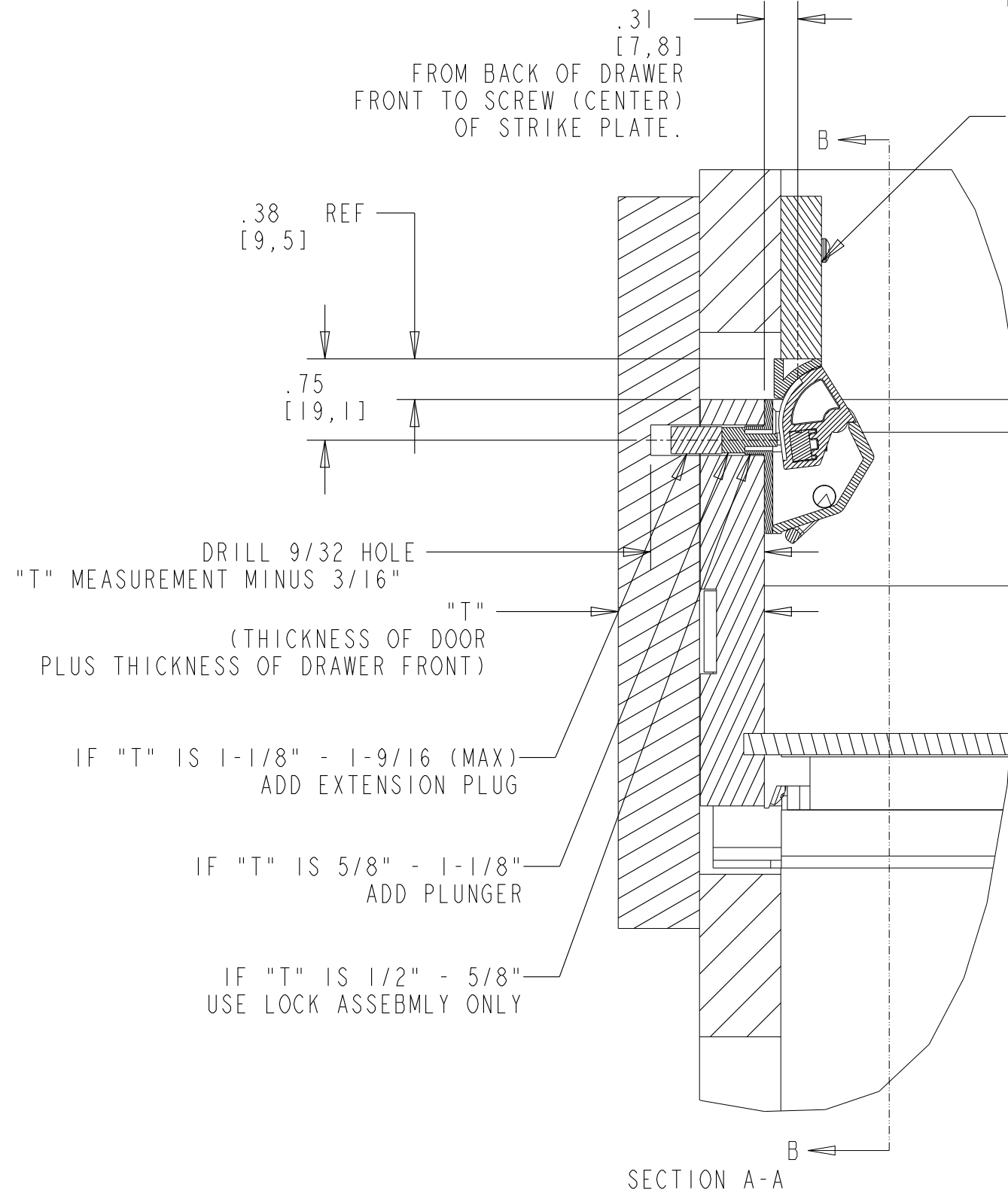
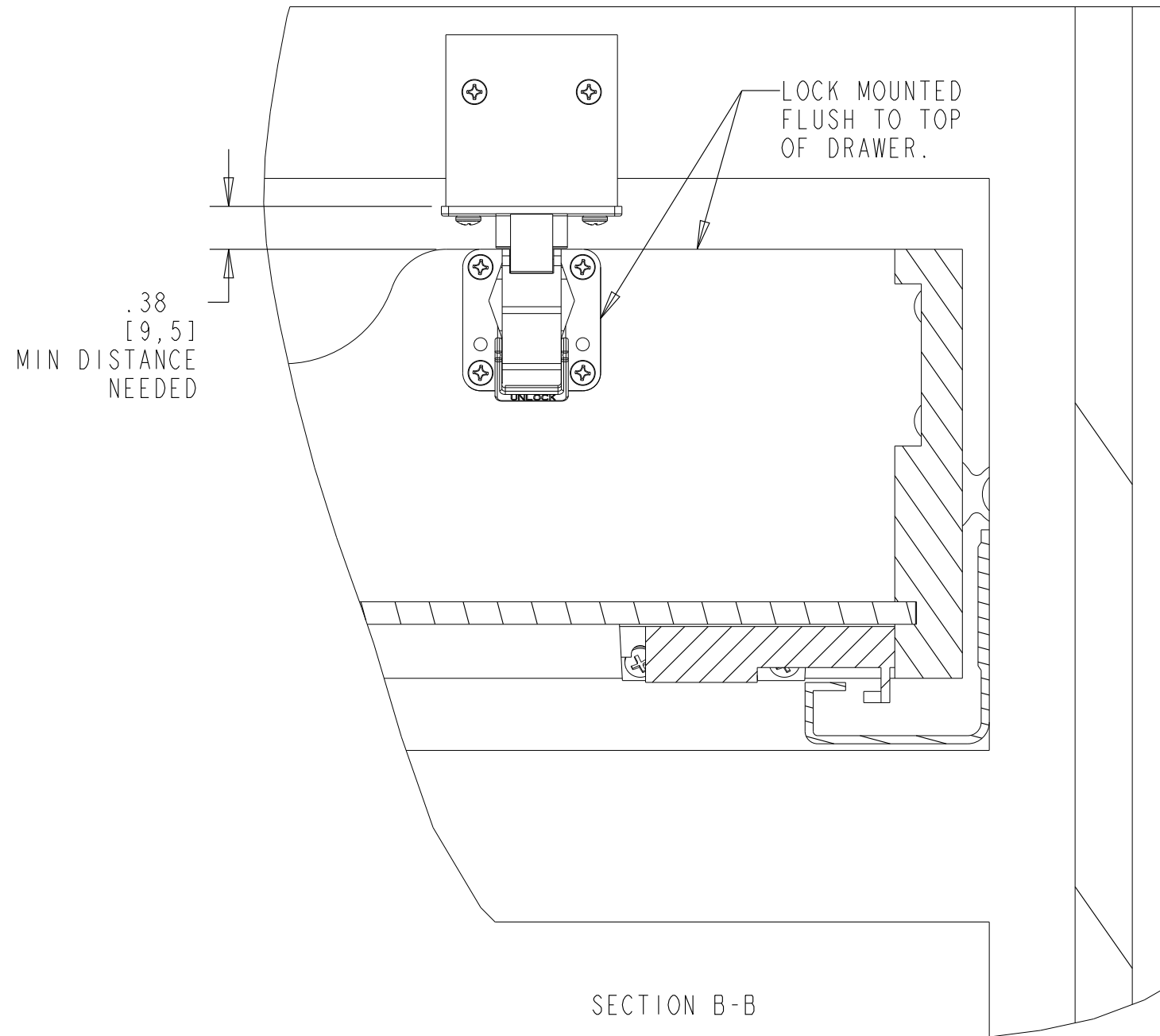


NOTE: IF YOUR DOOR HAS BUMPERS YOU WILL NEED TO TAKE THAT SPACING INTO ACCOUNT WHEN PLACING THE STRIKE PLATE. THE .31 DIMENSION NEEDS TO BE HELD FROM THE BACK OF THE DRAWER FRONT.



STRIKE PLATE INSTALLATION BLOCK (NOT PROVIDED)



.31 [7,8]
FROM BACK OF DRAWER FRONT TO SCREW (CENTER) OF STRIKE PLATE.

.38 [9,5] REF

.75 [19,1]

DRILL 9/32 HOLE "T" MEASUREMENT MINUS 3/16"

"T" (THICKNESS OF DOOR PLUS THICKNESS OF DRAWER FRONT)

IF "T" IS 1-1/8" - 1-9/16 (MAX) ADD EXTENSION PLUG

IF "T" IS 5/8" - 1-1/8" ADD PLUNGER

IF "T" IS 1/2" - 5/8" USE LOCK ASSEMBLY ONLY

.38 [9,5] MIN DISTANCE NEEDED

LOCK MOUNTED FLUSH TO TOP OF DRAWER.

CUSTOMER DRAWING

This drawing is the property of Rev-A-Shelf (RAS) and is disclosed in confidence to the extent its subject matter is original to RAS. Any vendor receiving this drawing from RAS shall hold and use this drawing for the sole benefit of RAS and shall not disclose it to, or use or reproduce it for any third party, or perform any act adverse to the interest of RAS with respect to this drawing without the express written permission of RAS. Vendors shall not revise any physical, dimensional or performance characteristic unless authorized by Rev-A-Shelf Engineering.

| REV. | DATE | BY | DESCRIPTION OF CHANGE |
|------|------|----|-----------------------|
| | | | |
| | | | |
| | | | |

| | | | | | |
|-------------------------|---------------------------|--------|----------|-------------------|--------------------------------|
| INCH [MM] | AMERICAN PROJECTION | BY | DATE | REV-A-SHELF, INC. | |
| | | DRAWN | | SIZE B | REV-A-LOCK DRAWER INSTALLATION |
| TOLERANCES | | ANGLES | MATERIAL | DRAWING NO. | SCALE |
| MAT. DEC. | (WOOD) .XX ±.03 [.8mm] | ±1/2° | FINISH | PART NO. | 0.750 |
| (OTHER) .XX ±.02 [.5mm] | (ALL) .XXX ±.005 [.13 mm] | | | | SHEET OF 1 |
| FRACTIONS ±1/32 [.8 mm] | | | | | |