

# WPC3 LED LINEAR WRAP



**NICOR**<sup>®</sup>

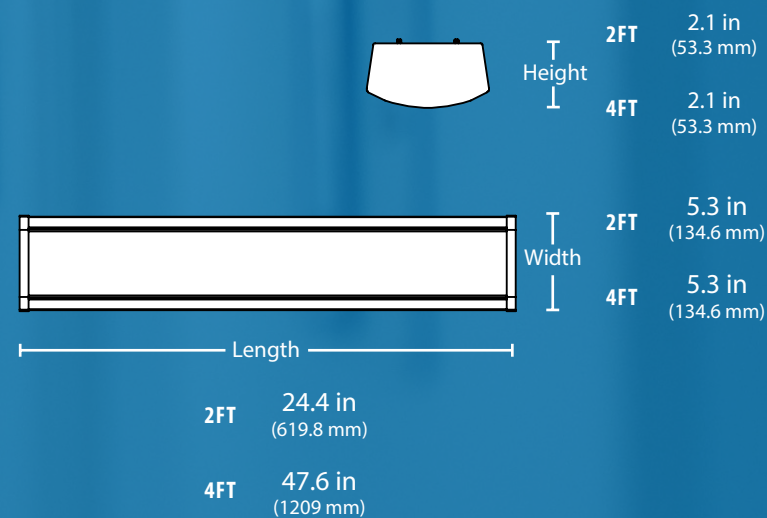


# WPC3

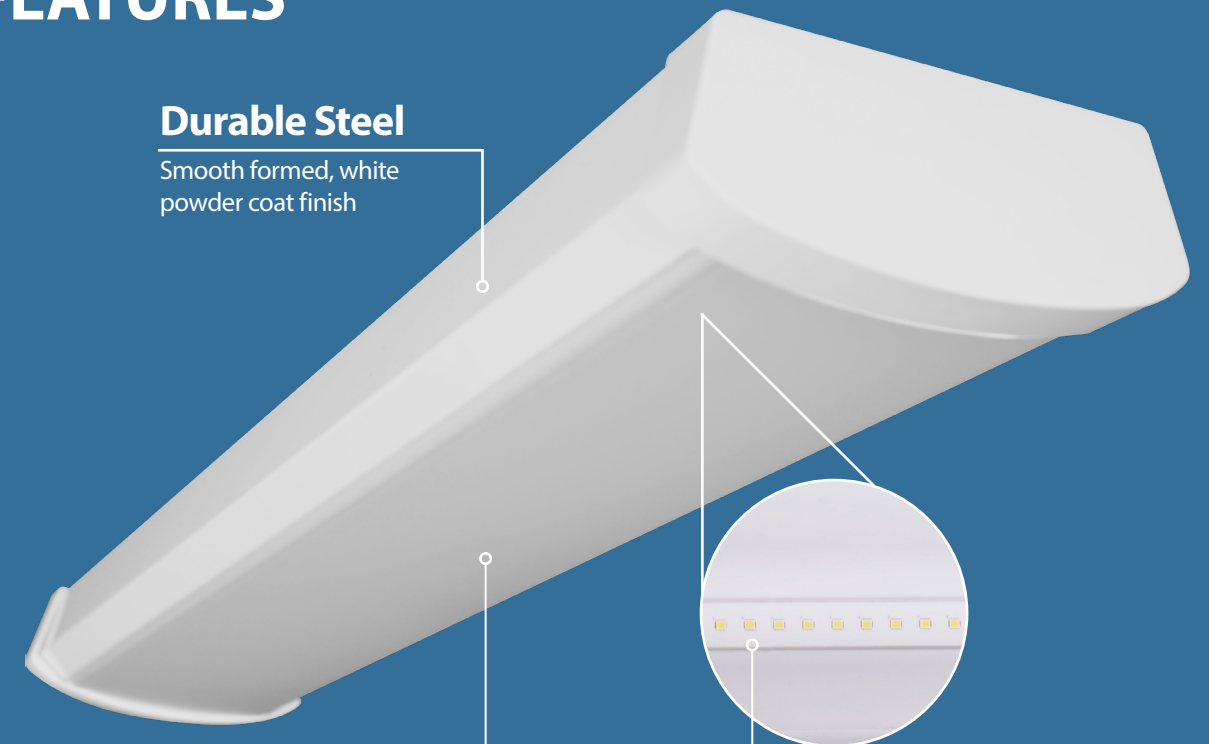
## LED Linear Wrap

The WPC3 LED Linear Wrap is an economical, energy-efficient lighting alternative to traditional fluorescent wrap fixtures. The WPC3's modern design features a curved, milkywhite lens that offers a more polished aesthetic while eliminating hotspots. Available with CCT and lumen output Selectable options with the choice of 3500K, 4000K, or 5000K CCTs and low, medium, and high lumen output. This versatile fixture is easy to surface mount on both ceilings and walls, making it ideal for general ambient lighting in retail, warehouse, residential utility, and light commercial or industrial applications.

### Dimensions



# FEATURES



### Durable Steel

Smooth formed, white powder coat finish

### Precision Engineered Diffuser

Provides high uniformity and reduced glare

### High Performance LEDs

Energy efficient providing over 120 lumens per Watt



**CRI**  
80+



**Lumens**  
1995-5814



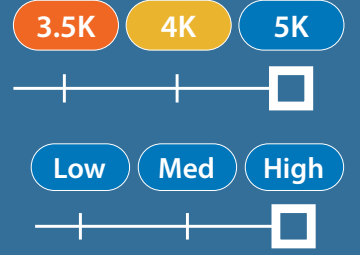
**Lifetime**  
>50000 hrs



**Beam Angle**  
97°-99°

### Select the Perfect Light

The WPC3 LED Linear Wrap features Selectable CCT and Wattage for the perfect ambiance. The selector switch is discretely located on the driver.



### Ordering Information

Example: WPC3448WSUS8WH

Series	Version	Length	Wattage (Selectable)	Voltage	CCT	CRI	Color
WPC	3	2 (2 FT)	24WS (16/20/24W)	U (120-277V)	S (3500K/4000K/5000K)	8 (80+)	WH (White)
		4 (4 FT)	48WS (32/40/48W)				

Specifications and dimensions subject to change without notice.



**Warehouse Locations:**

Albuquerque, NM  
Buford, GA  
Detroit, MI  
Roseville, CA

**NICOR Lighting**

2200 Midtown Pl. NE  
Albuquerque, NM 87107 USA

**T** 800.821.6283

**F** 800.892.8393