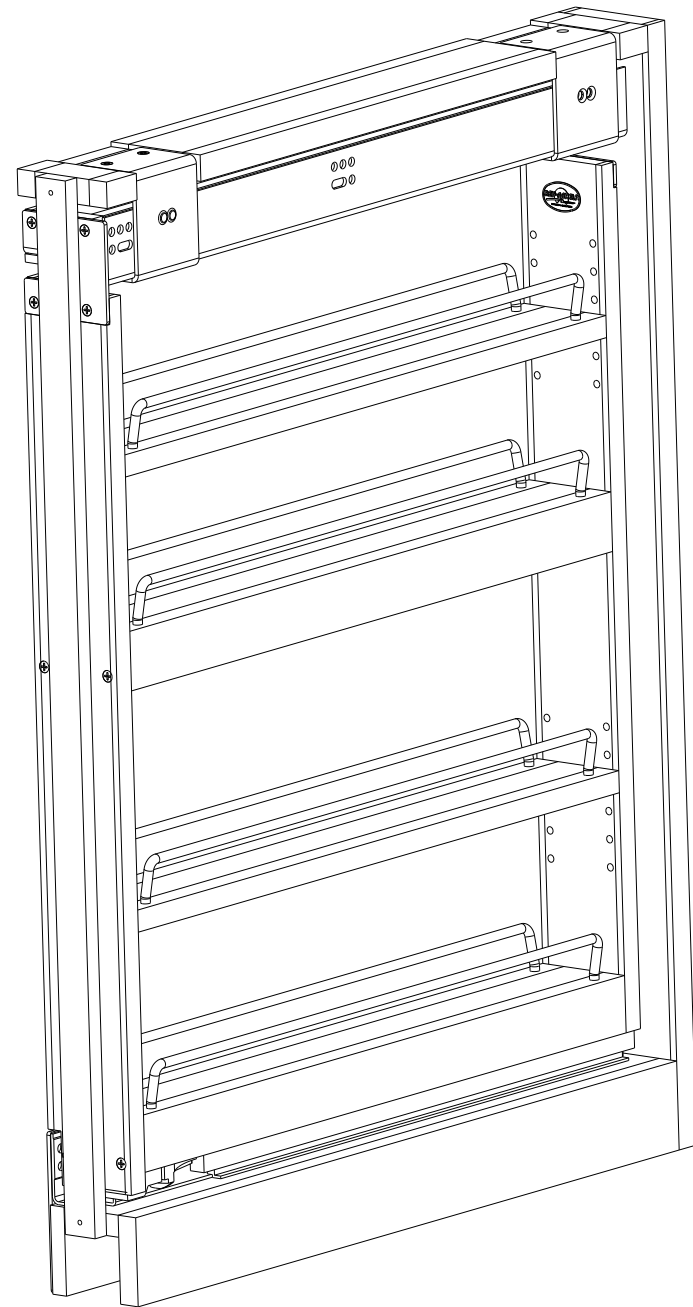


CUSTOMER DRAWING

This drawing is the property of Rev-A-Shelf (RAS) and is disclosed in confidence to the extent its subject matter is original to RAS. Any vendor receiving this drawing from RAS shall hold and use this drawing for the sole benefit of RAS and shall not disclose it to, or use or reproduce it for any third party, or perform any act adverse to the interest of RAS with respect to this drawing without the express written permission of RAS. Vendors shall not revise any physical, dimensional or performance characteristic unless authorized by Rev-A-Shelf Engineering.

REV.	DATE	BY	DESCRIPTION OF CHANGE

INCH [MM]	AMERICAN PROJECTION	BY	DATE	REV-A-SHELF, INC.
		PFC	10-11-21	
DRAWN		SIZE		SOFT CLOSE 3" BASE CABINET
TOLERANCES		MATERIAL	DRAWING NO.	SCALE
MAT. (WOOD) .XX ±.03 [8mm]	DEC. (OTHER) .XX ±.02 [5mm]	FINISH	432-BFSC-3C	0.200
(ALL) .XXX ±.005 [13 mm]	FRACTIONS ±1/32 [8 mm]		PART NO.	432-BFSC-3C



PART DIMENSIONS		
	MIN	MAX
WIDTH	3.00	
DEPTH	23.00	
HEIGHT	30.00	
CONTAINER CAPACITY		
CONTAINER UOM		

MIN CABINET OPENING				
	FACE FRAME	FRAMELESS	INSET FACE FRAME	INSET FRAMELESS
WIDTH				
DEPTH				
HEIGHT				

SLIDE SPECIFICATIONS				
SLIDE MANUFACTURER	BLUM			
SLIDE PART NUMBER	569H5330B	RELEASE PART NUMBER	T51-0801	
SLIDE TYPE	BLUMOTION	SLIDE EXTENSION	FULL	MAX WEIGHT RATING
SLIDE CLOSING	SOFT	SLIDE LENGTH	21.00	
SLIDE MOUNTING	SIDE	SLIDE FINISH	ZINC	135 LB

CUSTOMER DRAWING

This drawing is the property of Rev-A-Shelf (RAS) and is disclosed in confidence to the extent its subject matter is original to RAS. Any vendor receiving this drawing from RAS shall hold and use this drawing for the sole benefit of RAS and shall not disclose it to, or use or reproduce it for any third party, or perform any act adverse to the interest of RAS with respect to this drawing without the express written permission of RAS. Vendors shall not revise any physical, dimensional or performance characteristic unless authorized by Rev-A-Shelf Engineering.

REV.	DATE	BY	DESCRIPTION OF CHANGE

INCH [MM]	AMERICAN PROJECTION	DRAWN	BY	DATE	REV-A-SHELF, INC.	
			PFC	10-11-21		
TOLERANCES		ANGLES ±1/2°	MATERIAL	SIZE	DRAWING NO.	SCALE
MAT.	DEC.			B		
(WOOD) .XX ±.03 [.8mm]	(OTHER) .XX ±.02 [.5mm]		FINISH	PART NO.	432-BFSC-3C	SHEET OF
(ALL) .XXX ±.005 [.13 mm]	FRACTIONS ±1/32 [.8 mm]			2		