

Thank you for choosing this quality product. Be sure to check all packaging materials carefully for small parts that may have become loose during shipment and place all parts on a non-abrasive surface.

**IMPORTANT** :These parts can be cumbersome and heavy to some people, therefore the assistance of two or more people is recommended in order to prevent personal injury and insure the furniture is not damaged during the assembly Process.





### PART LIST

- A. [1] TOP MIRROR
- B. [1] BOTTOM MIRROR

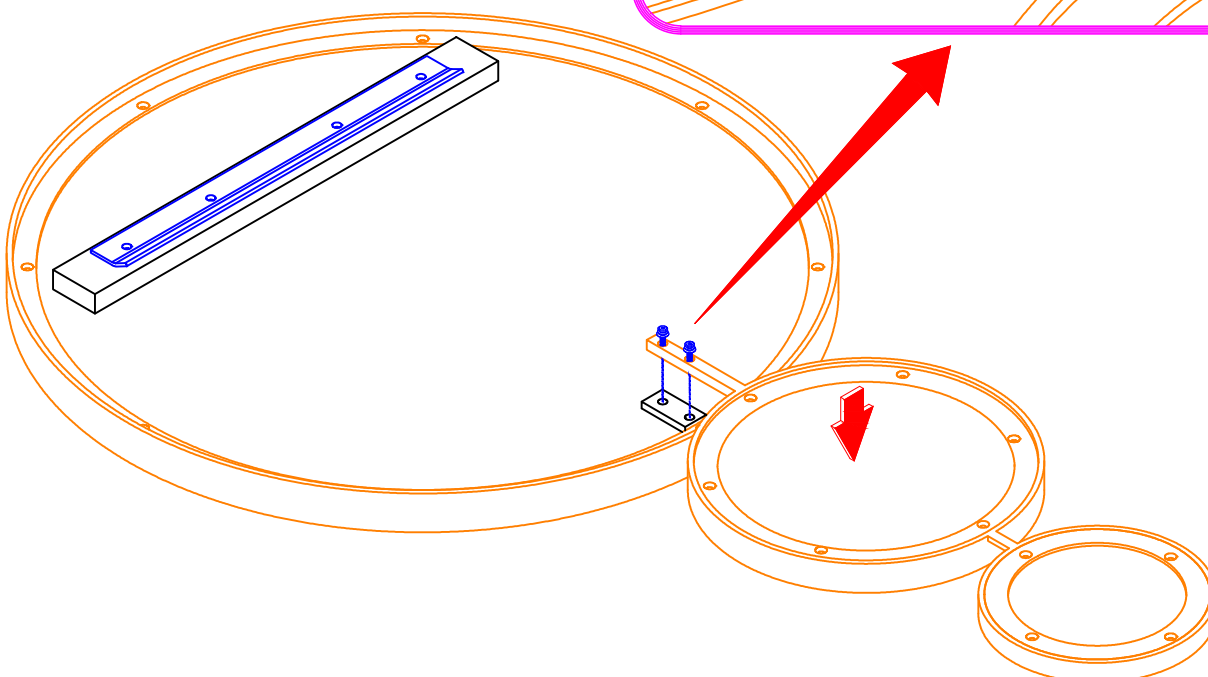
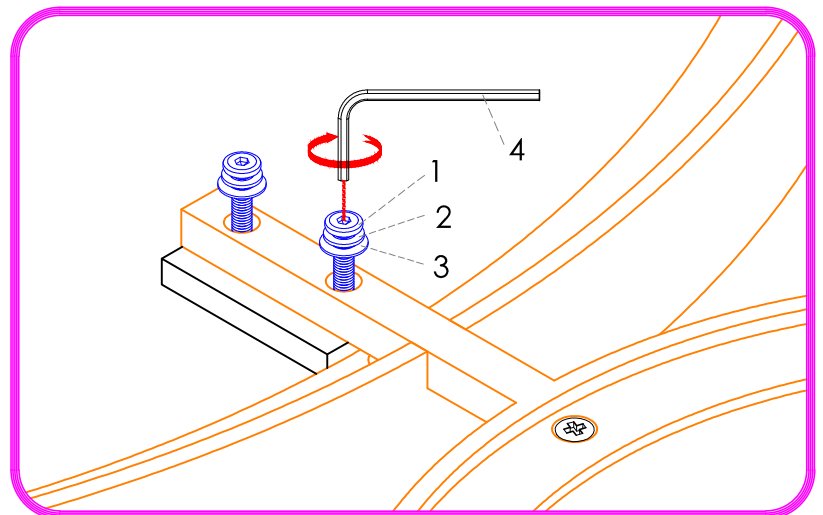
### INSTRUCTIONS

1. Turn the top mirror (A) upside down and put it on a flat surface.
2. Attach the bottom mirror (B) to top mirror (A). Align and insert Allen bolt (1), lock washer (2) and flat washer (3), Tighten all the bolts by using Allen wrench (4) ( do not over tighten). See **FIGURE 01**.

### HARDWARE LIST

NO	DESCRIPTION	QTY
1	 ALLEN BOLT	2
2	 LOCK WASHER	2
3	 FLAT WASHER	2
4	 ALLEN WRENCH	1

**FIGURE 01**



## IMPORTANT SAFETY INSTRUCTIONS

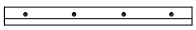

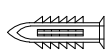

1. Adult assembly only owing to the presence of small parts, sharp points and edges.
2. Professional installation is recommended. Serious injury or death can occur if mirror is not hung correctly. Do not use wire to hang the mirror. Please follow correct hanging methods for your wall type. Your safety is dependent on the construction and strength of the wall to which it is attached.
3. Check mirror periodically to see that no fittings have loosened and need attention.

## CARE INSTRUCTIONS

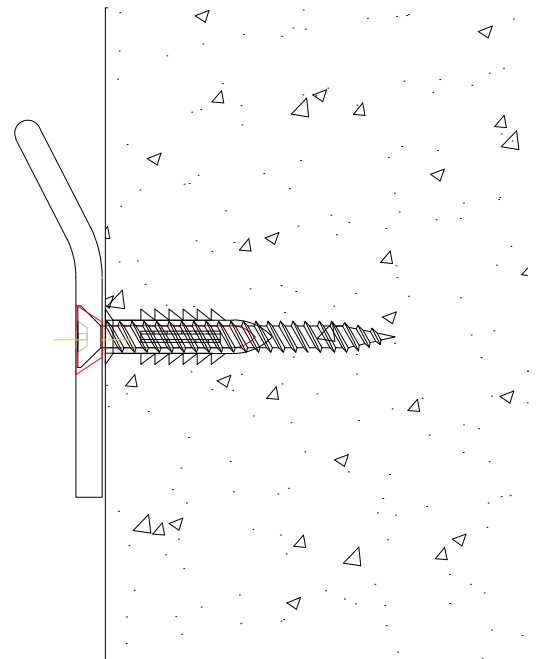
1. Clean periodically by wiping the frame and glass panels with damp cloth or mild detergent. Do not use abrasive cleaners.

## ASSEMBLY INSTRUCTIONS BY WALL TYPE

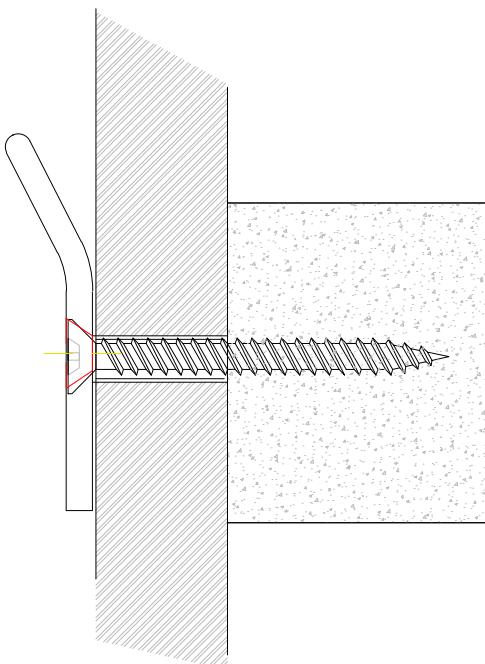
- **CONCRETE:** drill pilot hole on each marking and then insert plastic anchor. Use a screwdriver to attach the bracket to the wall with screws.
- **DRYWALL WITH STUDS:** use screws to affix to studs, and use hollow wall anchors and screws to affix to drywall .
- **DRYWALL WITHOUT STUDS:** use hollow wall anchors and screws to affix to drywall.

NO.	ITEM	DESCRIPTION	QTY.
1		Wall Bracket	1 pc.
2		Hollow Wall Anchor	4 pcs.
3		Plastic Anchor (47mm L)	4 pcs.
4		Screw M4 x 40mm	4 pcs.

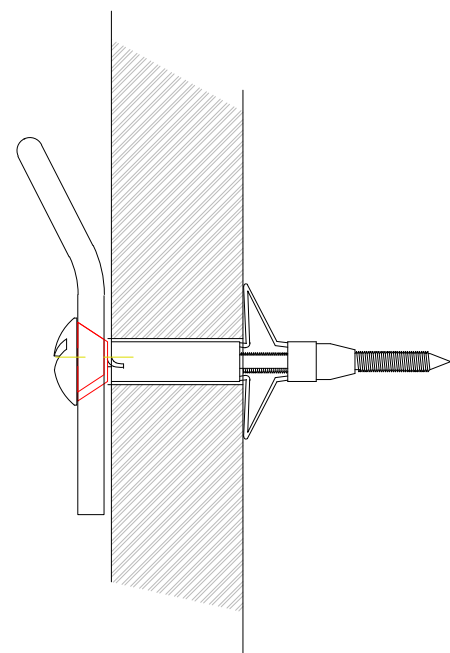
### CONCRETE



### DRY WALL W/ STUDS

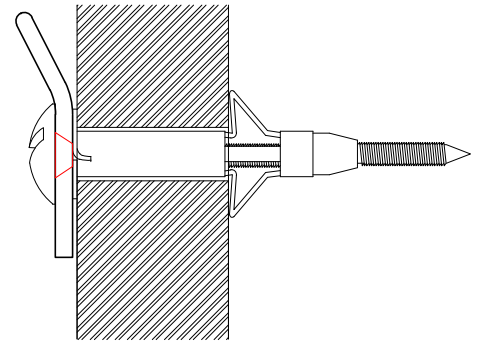


### DRY WALL W/O STUDS

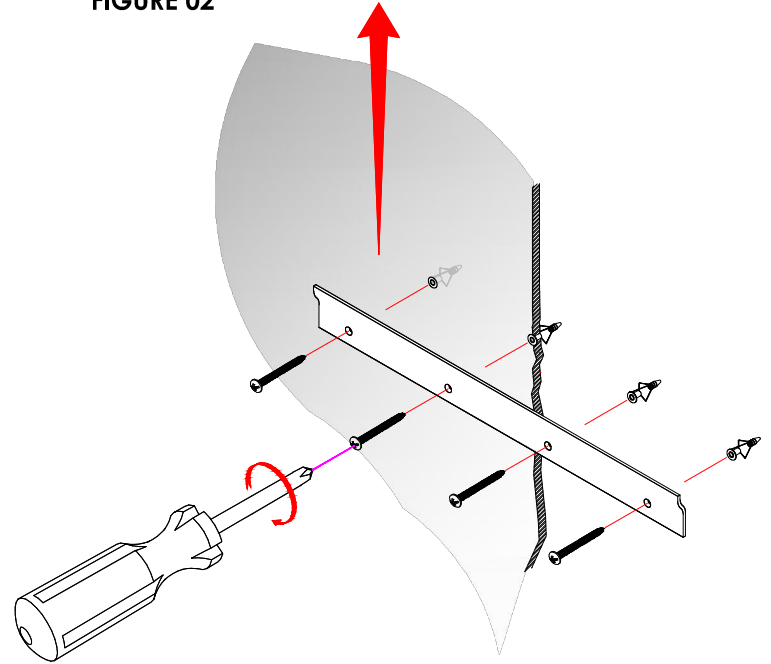


## ASSEMBLY INSTRUCTIONS

1. Pre-set the mirror on your desired location and mark the location with a light pencil mark. Use tape or pencil to transcribe the location of the back of the mirror's pre-installed bracket to the wall. Below this marking is where you will install the included metal wall-mount bracket part (1). See **FIGURE 03**.
2. Hold the bracket (1) against the wall and mark with pencil the locations of the bracket screw holes, ensuring levelness. See **FIGURE 02**.
3. Drill a hole on each mark's and then tap anchor into hole until flush with surface. See page 1 for mounting instructions based on your wall type, concrete, drywall, or drywall and studs.
4. Tighten the screws into the anchors while maintaining constant pressure on the anchor to set. Remove screws. Hold metal bracket over the inserted anchors and reinstall screws through the wall bracket holes and tighten until snug against wall. See **FIGURE 02**.
5. Install the mirror on the wall bracket as illustrated on **FIGURE 03**.



**FIGURE 02**



**FIGURE 03**

