

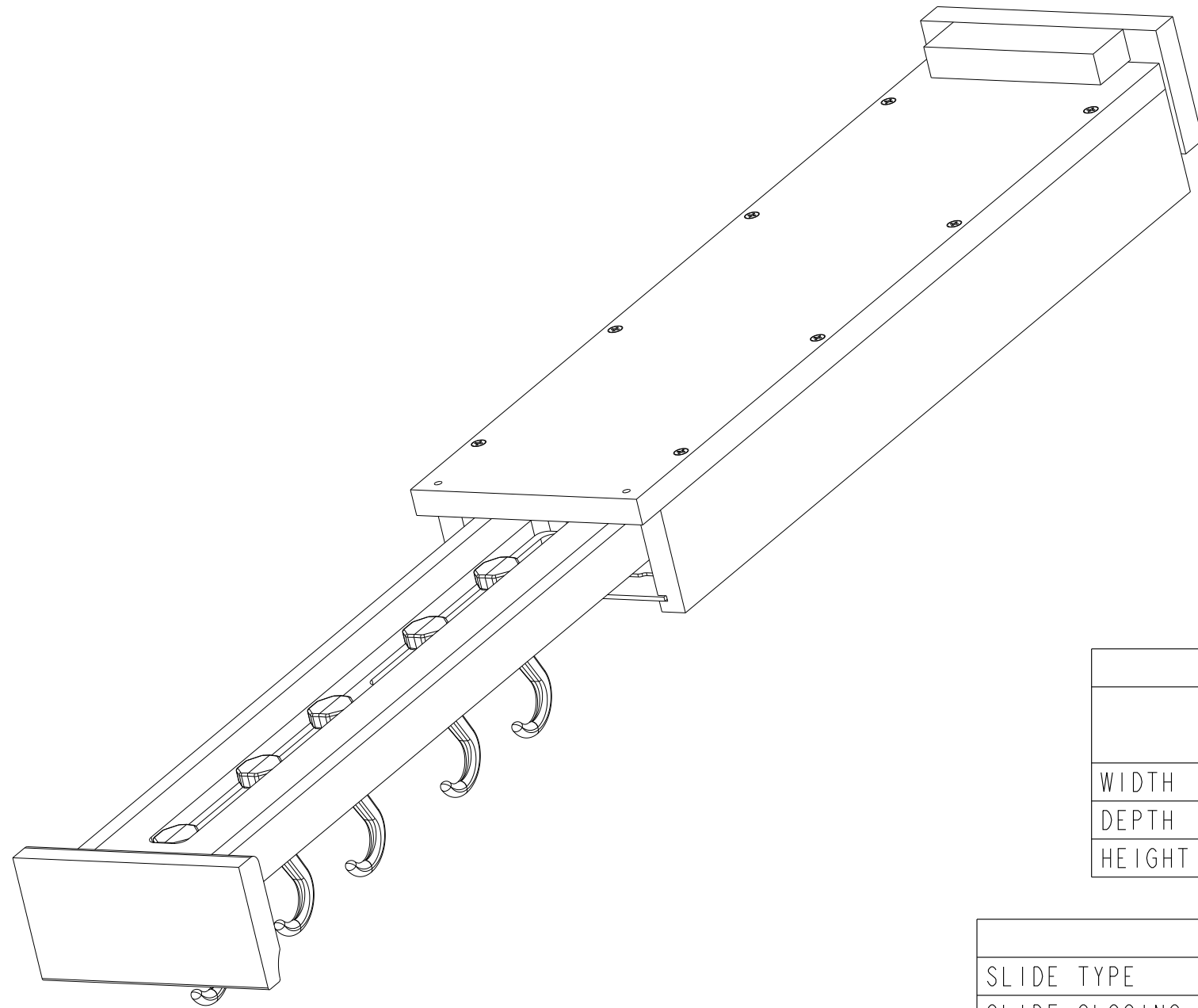
PART NUMBER	FINISH
GLD-W22-BC-7_CUST	MAPLE
GLD-W22-BG-7_CUST	GRAY

CUSTOMER DRAWING

This drawing is the property of Rev-A-Shelf (RAS) and is disclosed in confidence to the extent its subject matter is original to RAS. Any vendor receiving this drawing from RAS shall hold and use this drawing for the sole benefit of RAS and shall not disclose it to, or use or reproduce it for any third party, or perform any act adverse to the interest of RAS with respect to this drawing without the express written permission of RAS. Vendors shall not revise any physical, dimensional or performance characteristic unless authorized by Rev-A-Shelf Engineering.

REV.	DATE	BY	DESCRIPTION OF CHANGE

INCH [MM]	AMERICAN PROJECTION	DRAWN	BY	DATE	REV-A-SHELF, INC.
			JMW	9/25/17	
TOLERANCES			MATERIAL	DRAWING NO.	SCALE
MAT.	DEC.	ANGLES		SEE CHART	0.250
(WOOD)	.XX ±.03 [8mm]	±1/2°	FINISH	PART NO.	SHEET OF
(OTHER)	.XX ±.02 [5mm]			SEE CHART	1 2
(ALL)	.XXX ±.005 [13 mm]				
FRACTIONS	±1/32 [8 mm]				



PART DIMENSIONS		
	MIN	MAX *
WIDTH	6.00 [152,4]	6.25 [158,8]
DEPTH	22.00 [558,8]	22.71 [576,8]
HEIGHT	5.05 [128,2]	5.85 [148,6]
WEIGHT	12 LB	
DIAMETER	N/A	
RADIUS	N/A	

* MAX INCLUDES OPTIONAL REAR MOUNTING BRACKET

MIN CABINET OPENING				
	FACE FRAME	FRAMELESS	INSET FACE FRAME	INSET FRAMELESS
WIDTH	N/A	N/A	N/A	N/A
DEPTH	22.71 [576,8]	22.00 [558,8]	23.46 [595,9]	22.75 [577,9]
HEIGHT	N/A	N/A	N/A	N/A

SLIDE SPECIFICATIONS				
SLIDE TYPE	BLUM UNDERMOUNT	SLIDE EXTENSION	FULL	MAX WEIGHT RATING
SLIDE CLOSING	SOFT-CLOSE	SLIDE LENGTH	17.71" [450MM]	
SLIDE MOUNTING	SIDE	SLIDE FINISH	ZINC	100 LB

PART NUMBER	FINISH
GLD-W22-BC-7_CUST	MAPLE
GLD-W22-BG-7_CUST	GRAY

NOTE: MCO DIMENSIONS ARE DEPENDENT ON WHAT ACCESSORIES YOU INTEND ON HANGING ON PRODUCT

CUSTOMER DRAWING

This drawing is the property of Rev-A-Shelf (RAS) and is disclosed in confidence to the extent its subject matter is original to RAS. Any vendor receiving this drawing from RAS shall hold and use this drawing for the sole benefit of RAS and shall not disclose it to, or use or reproduce it for any third party, or perform any act adverse to the interest of RAS with respect to this drawing without the express written permission of RAS. Vendors shall not revise any physical, dimensional or performance characteristic unless authorized by Rev-A-Shelf Engineering.

REV.	DATE	BY	DESCRIPTION OF CHANGE

INCH [MM]	AMERICAN PROJECTION	DRAWN	BY	DATE	REV-A-SHELF, INC.
			JMW	9/25/17	
TOLERANCES			MATERIAL	DRAWING NO.	SCALE
MAT.	DEC.	ANGLES			
(WOOD) .XX ±.03 [8mm]	(OTHER) .XX ±.02 [5mm]	±1/2°	FINISH	SEE CHART	0.300
(ALL) .XXX ±.005 [13 mm]	FRACTIONS ±1/32 [8 mm]			PART NO.	SHEET 2 OF 2
				SEE CHART	