

Thank you for choosing this quality product. Be sure to check all packaging materials carefully for small parts that may have become loose during shipment and place all parts on a non-abrasive surface.

IMPORTANT : These parts can be cumbersome and heavy to some people, therefore the assistance of two or more people is recommended in order to prevent personal injury and insure the furniture is not damaged during the assembly Process.

CARE INSTRUCTIONS

1. Dust often using a clean, soft, dry and lint-free cloth.
2. Blot spills immediately and wipe with a clean, damp, cloth.
3. We do not recommend the use of chemical cleansers, abrasives or furniture polish on our lacquered finish.

IMPORTANT SAFETY INSTRUCTIONS

1. Please read all instructions carefully before assembling.
2. Keep instructions for future use.
3. Use only vendor supplied hardware to assemble. Using unauthorized hardware could jeopardize the structural integrity of the item.

PART LIST:

- A. [1] CHEST
B. [1] SHELF PANEL

INSTRUCTIONS:

1. Open all the doors, attach handle (1). Insert the the Allen bolt (2) from the back side of the door, tighten them with Allen wrench (5). See **FIGURE 01**.
2. Install the shelf holders (3) and place the shelf panels (B) on the shelf holders. Fix the shelf panels to the shelf holders by using screws (4) provided. See **FIGURE 02**.

HARDWARE LIST

NO	DESCRIPTION	QTY
1	HANDLE	2
2	ALLEN BOLT	4
3	SHELF HOLDER	4
4	SCREW	4
5	ALLEN WRENCH	1

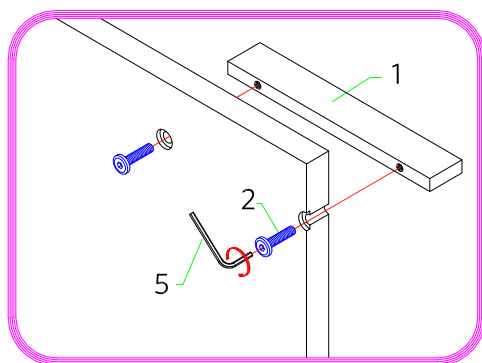


FIGURE 01

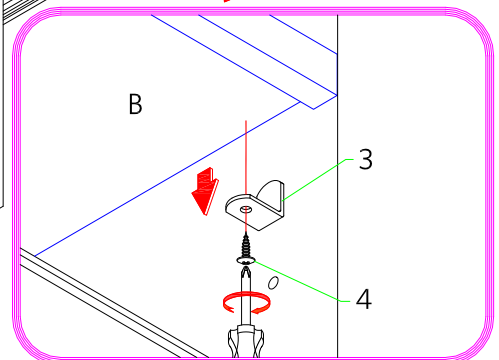
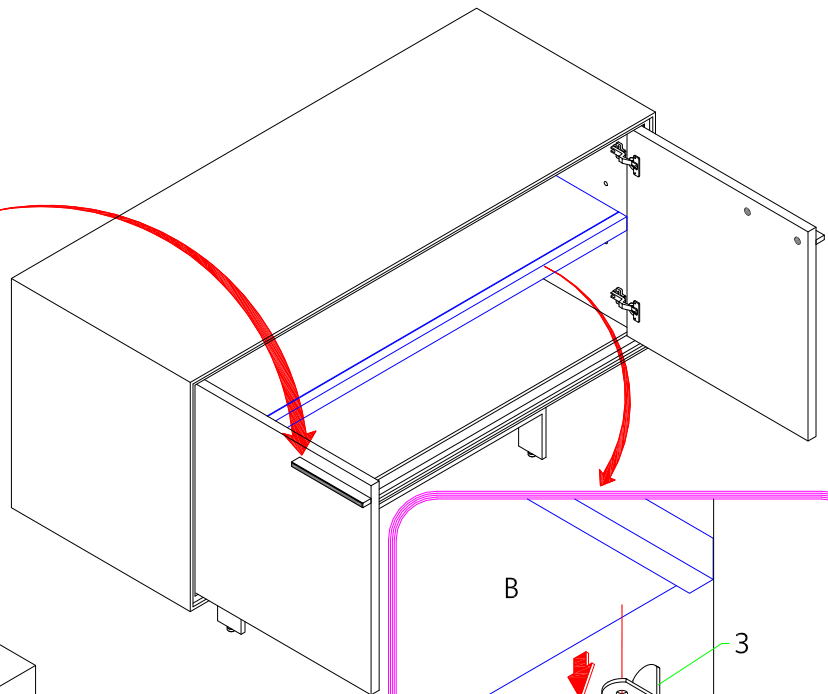


FIGURE 02

