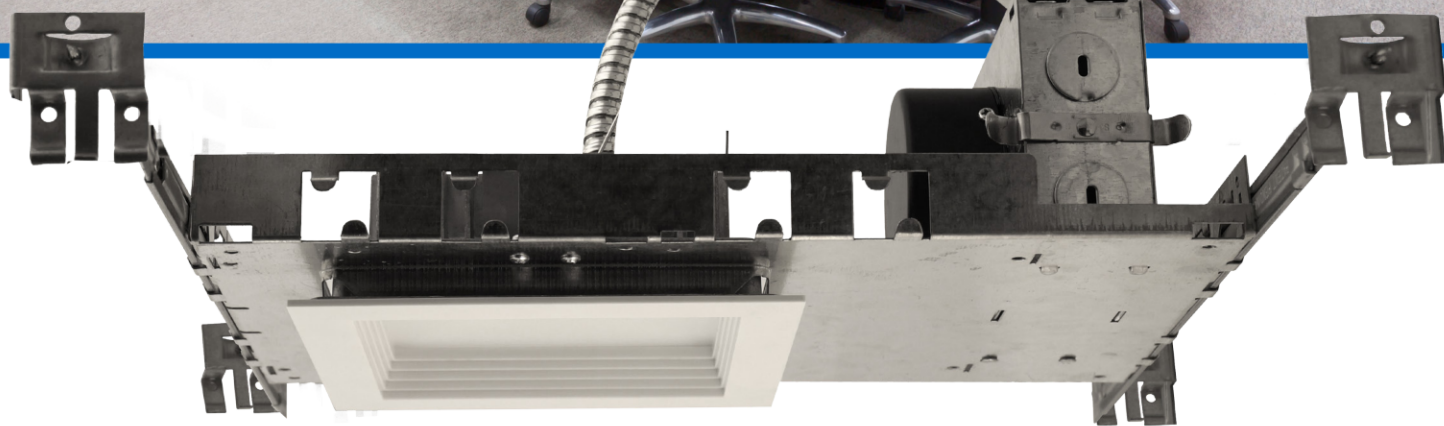


NICOR[®] | LED

5" Square LED Downlight DLQ5



Balancing high performance with contemporary design

Everything you love about the NICOR LED Downlights is now available in an aesthetically pleasing square design with interchangeable trims.

Module and Frame Installation

Ideal connectors allow for an easy installation between the module and frame.

Captive Nails

Four double-headed captive nails provide for ease of installation.

NICOR Adjustable Hanger Bars

Provide greater stability, allowing housing to be positioned at any point within a 24" joist span.

Module and Trim Installation

Quick and easy installation with torsion spring mounting system.

Interchangeable Trims



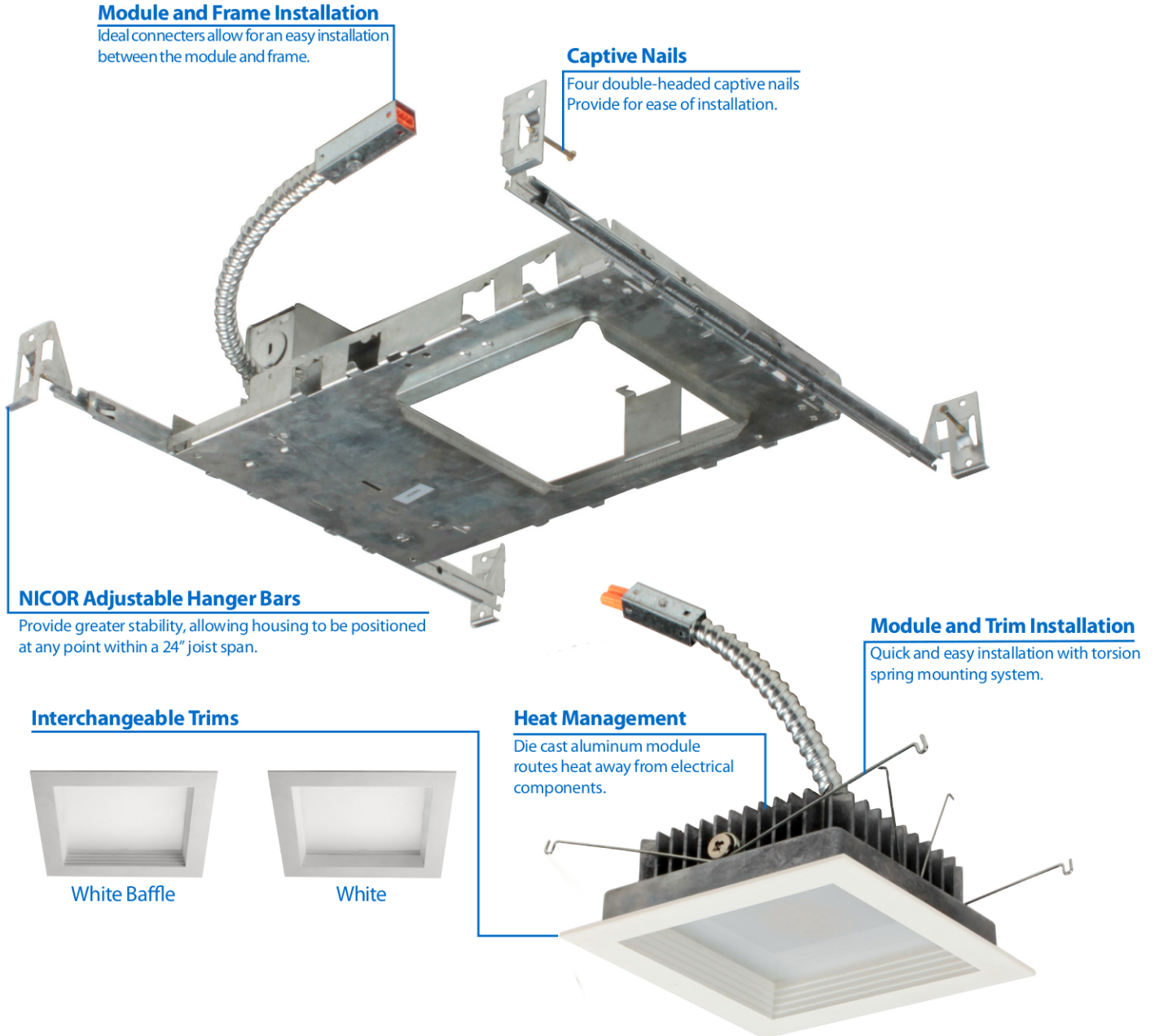
White Baffle



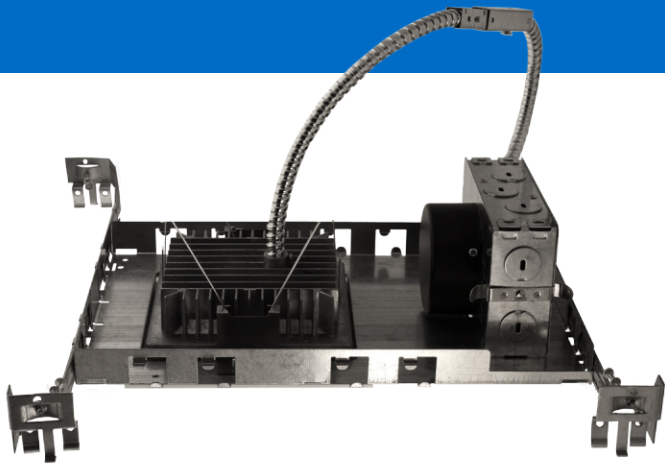
White

Heat Management

Die cast aluminum module routes heat away from electrical components.



The DLQ5 Square Series is a modern architectural solution for lighting commercial, retail, and institutional spaces in the new construction market where high efficiency, low energy lighting is desired. Utilizing high efficiency LED technology and the 3-step McAdams ellipse model to balance color for natural white light and offering greater than 90 CRI, the high efficacy and exceptional color rendering make this luminaire an ideal choice for corridors, conference rooms, lobbies, and large offices. Constructed with a durable galvanized steel frame and adjustable hanger bars, the DLQ5 Series fits securely and installs easily into most any space.



DLQ5

5" Square LED Downlight

Construction

Die cast aluminum module routes heat away from electrical components
Durable galvanized steel frame, with adjustable hanger bars to fit securely into most spaces

Optical System

Polystyrene diffuser and reflector cone create a uniform light distribution that reduces glare without sacrificing lumen output

Electrical

Utilizes high performing LEDs with greater than 90 CRI and an R9 greater than 50
Dimmable to 10% with most standard dimmers
Thermally protected, high efficiency driver standard
LEDs binned to a 3-step McAdams ellipse
Operating temperature rating of 0°F to 120°F (-18°C – 49°C)
Input voltage of 120V
TM-21 Projected L70(6K) life >46,000 hrs
LM-79, LM-80 testing performed in accordance with IESNA standards

Finish

Galvanized steel frame
Interior high reflective finish
White plastic trim (available in smooth or baffle)

Frame Installation

NICOR captive hanger bars allows housing to be positioned at any point within a 24" joist span
Unique hanger bar lip design helps align can to joist
Four double-headed captive nails provide for ease of installation
Bars can be repositioned 90° on plaster frame without tools
Bars fit onto T-bar spine for quick alignment and can be permanently secured
Score lines allow bars to be shortened without tools to accommodate a 12" joist span

Module and Trim Installation

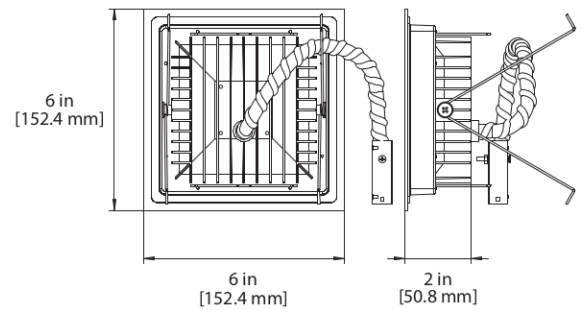
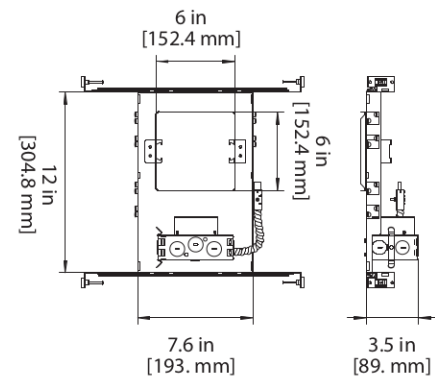
Quick and easy installation with torsion spring mounting system

Warranty

5-year limited system warranty standard

Product Specifications

LED Lifetime (Hrs):	46,000
Input Voltage (V):	120V
Power Draw (W):	16W



Ordering Information Includes Light Module, Frame, and Trim boxed separately Example: DLQ5-10-120-3K-WH

Series	Version	Voltage	CCT's	Trim Color
DLQ5	10 (1.0)	120	3K (3000)	WH (white)
				WH-BF (White Baffle)

Component	Part Number	Description
LIGHT MODULE	DLQ5-10-120-3K	3000K 5" Square 90CRI Module
FRAME	DLQ5-10-FRAME	5" Square Frame
TRIM	DLQ5-TRIM-WH	5" LED Square White Trim
	DLQ5-TRIM-WH-BF	5" LED Square White/Baffle Trim