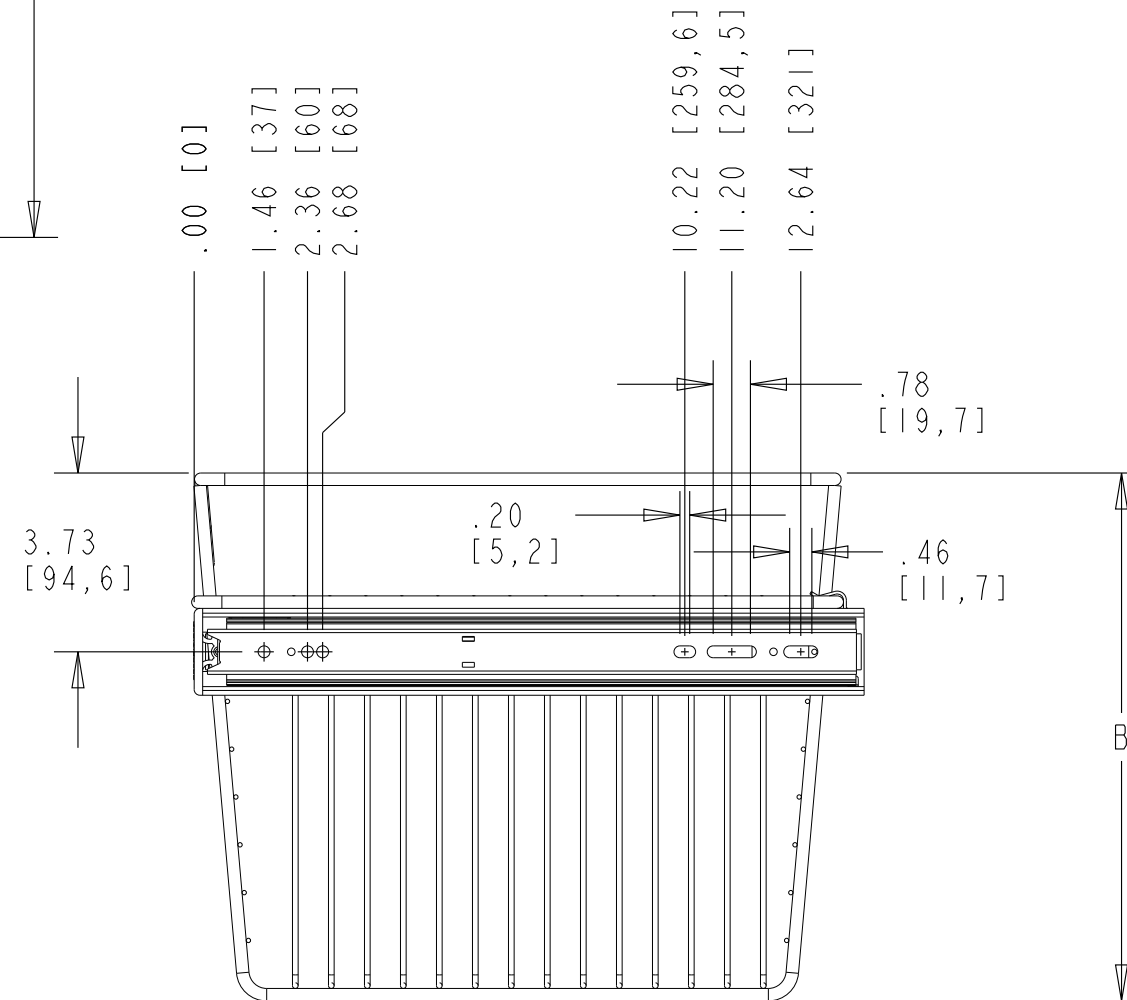
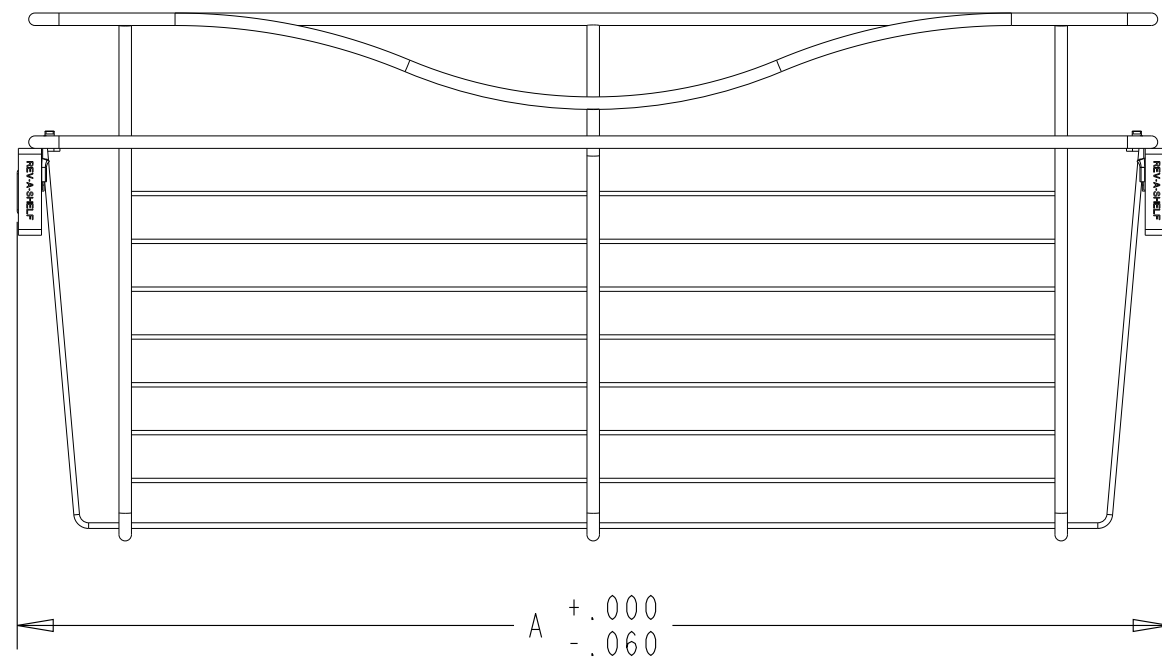
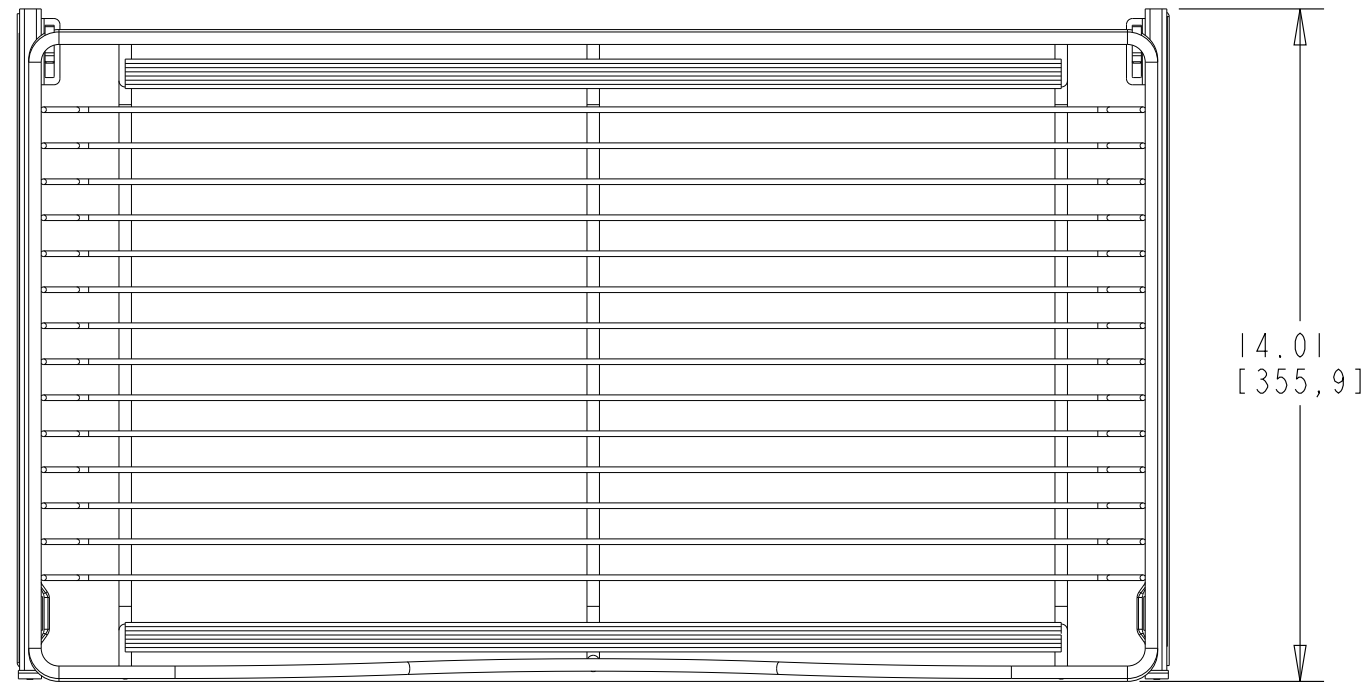


PART NUMBER	WIDTH "A"	HEIGHT "B"
CB-181407CR-*	18.00 [457,2]	7.00 [117,8]
CB-181411CR-*	18.00 [457,2]	11.00 [279,4]
CB-181418CR-*	18.00 [457,2]	18.00 [457,2]
CB-241407CR-*	24.00 [609,6]	7.00 [117,8]
CB-241411CR-*	24.00 [609,6]	11.00 [279,4]
CB-241418CR-*	24.00 [609,6]	18.00 [457,2]
CB-301407CR-*	30.00 [762]	7.00 [117,8]
CB-301411CR-*	30.00 [762]	11.00 [279,4]
CB-301418CR-*	30.00 [762]	18.00 [457,2]

* NUMBER OF BASKETS: 1 FOR A SINGLE BASKET
3 FOR 3 BASKETS

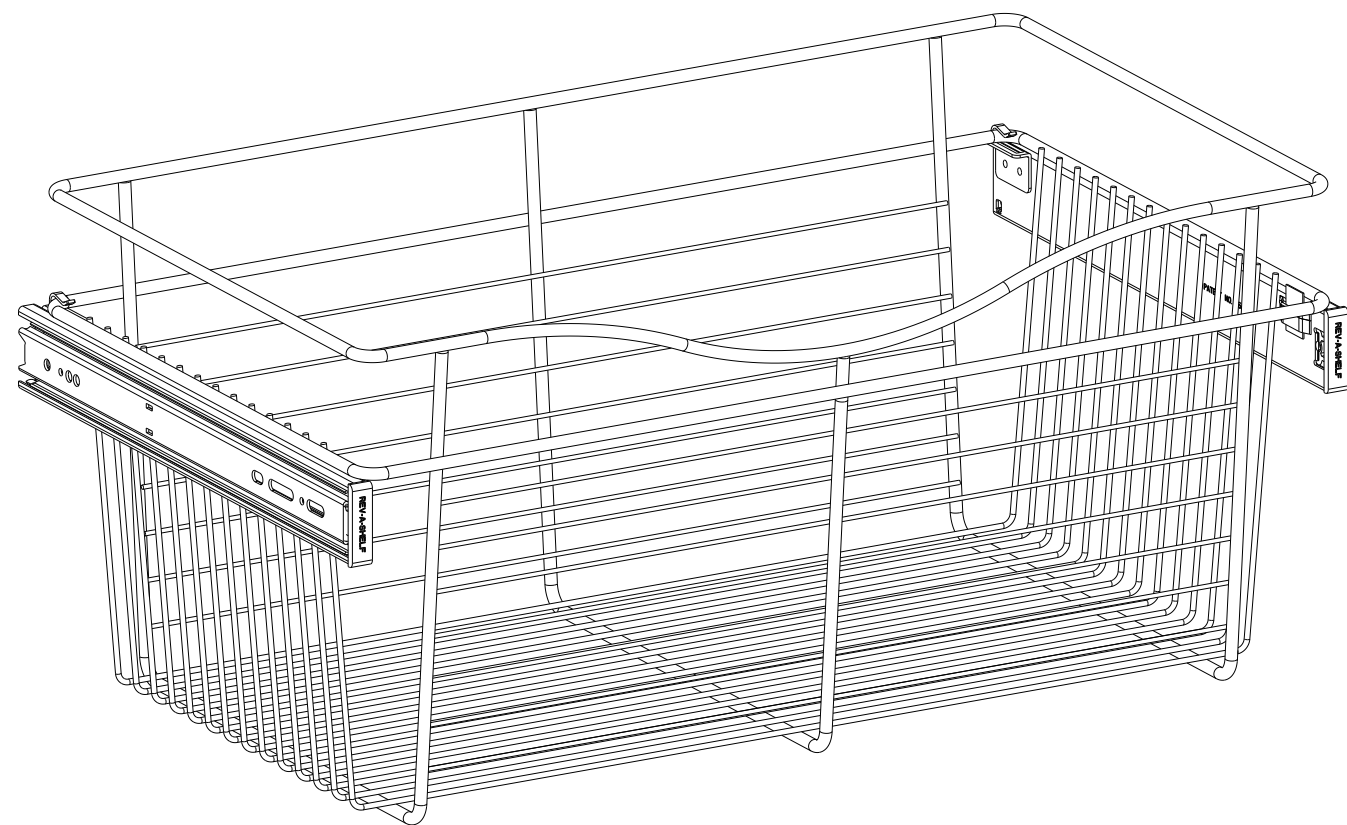


CUSTOMER DRAWING

This drawing is the property of Rev-A-Shelf (RAS) and is disclosed in confidence to the extent its subject matter is original to RAS. Any vendor receiving this drawing from RAS shall hold and use this drawing for the sole benefit of RAS and shall not disclose it to, or use or reproduce it for any third party, or perform any act adverse to the interest of RAS with respect to this drawing without the express written permission of RAS. Vendors shall not revise any physical, dimensional or performance characteristic unless authorized by Rev-A-Shelf Engineering.

REV.	DATE	BY	DESCRIPTION OF CHANGE

INCH [MM]	AMERICAN PROJECTION 	DRAWN	BY	DATE	REV-A-SHELF, INC.
			KRR	6-19-20	
TOLERANCES					SIZE
MAT. DEC. (WOOD) .XX ±.03 [.8mm] (OTHER) .XX ±.02 [.5mm] (ALL) .XXX ±.005 [.13 mm] FRACTIONS ±1/32 [.8 mm]					B
ANGLES ±1/2°					14" DEEP CLOSET BASKET ASSEMBLY
MATERIAL					DRAWING NO.
FINISH					CB-XX14XXCR-X_CUST
SCALE					0.250
PART NO.					SEE CHART
SHEET OF					1 OF 2



PART DIMENSIONS	
WIDTH	DIM "A" (SHT.1)
DEPTH	14.01 [355,9]
HEIGHT	DIM "B" (SHT.1)

MIN CABINET OPENING	
WIDTH	DIM "A" (SHT.1)
DEPTH	14.00 [355,6]
HEIGHT	DIM "B" +.50 (SHT.1)

SLIDE SPECIFICATIONS				
SLIDE TYPE	BALL BEARING	SLIDE EXTENSION	FULL	MAX WEIGHT RATING
SLIDE CLOSING	NORMAL	SLIDE LENGTH	13.78 [350 MM]	
SLIDE MOUNTING	SIDE	SLIDE FINISH	ZINC	100 LB

CUSTOMER DRAWING

This drawing is the property of Rev-A-Shelf (RAS) and is disclosed in confidence to the extent its subject matter is original to RAS. Any vendor receiving this drawing from RAS shall hold and use this drawing for the sole benefit of RAS and shall not disclose it to, or use or reproduce it for any third party, or perform any act adverse to the interest of RAS with respect to this drawing without the express written permission of RAS. Vendors shall not revise any physical, dimensional or performance characteristic unless authorized by Rev-A-Shelf Engineering.

REV.	DATE	BY	DESCRIPTION OF CHANGE

INCH [MM]	AMERICAN PROJECTION 	DRAWN	BY	DATE	REV-A-SHELF, INC.
		KRR		6-19-20	
TOLERANCES		ANGLES ±1/2°	MATERIAL	DRAWING NO.	SCALE
MAT.	DEC.		FINISH	CB-XX14XXCR-X_CUST	0.250
(WOOD) .XX ±.03 [.8mm]	(OTHER) .XX ±.02 [.5mm]			PART NO.	SHEET OF
(ALL) .XXX ±.005 [.13 mm]	FRACTIONS ±1/32 [.8 mm]			SEE CHART	2 OF 2