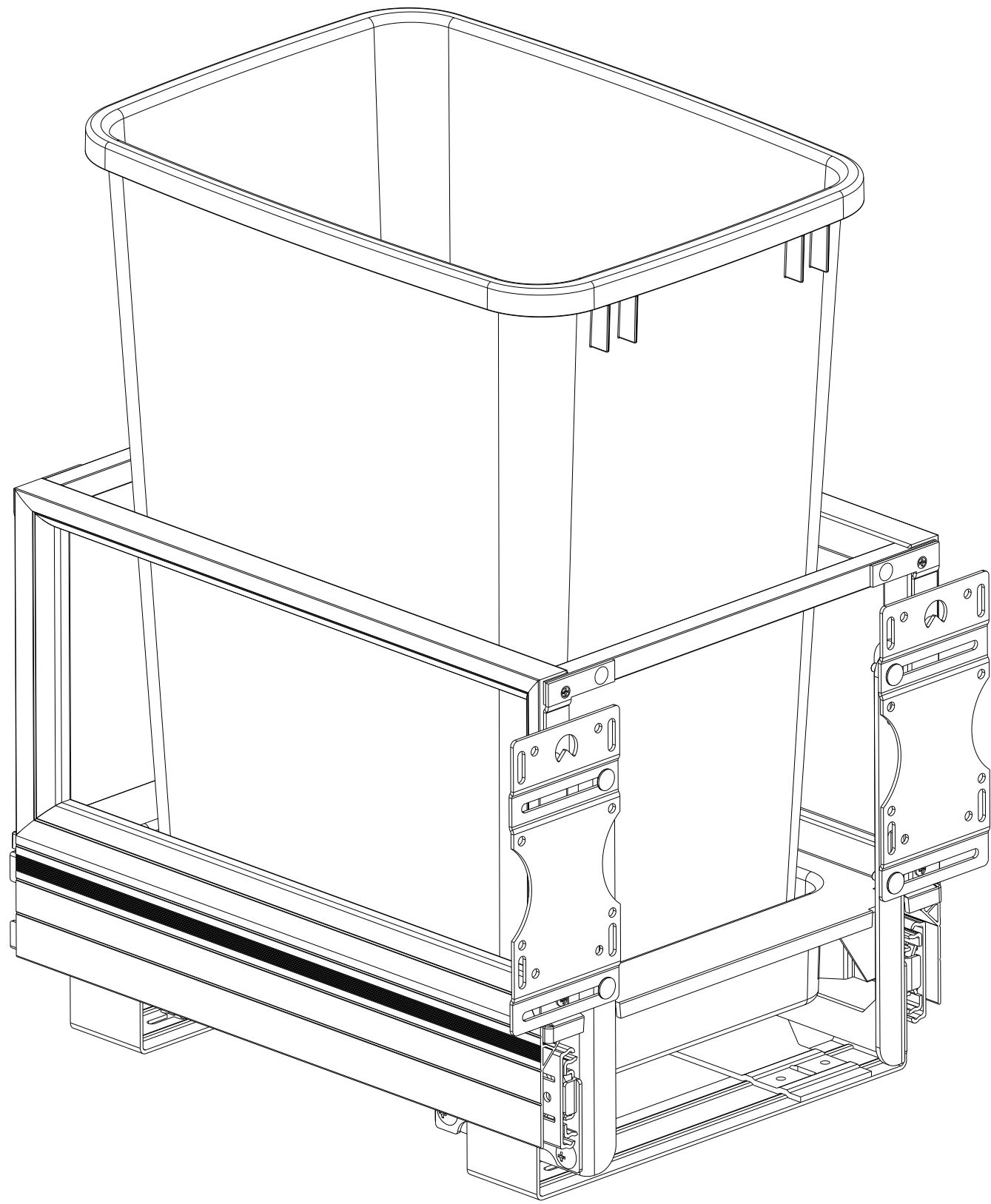


CUSTOMER DRAWING

This drawing is the property of Rev-A-Shelf (RAS) and is disclosed in confidence to the extent its subject matter is original to RAS. Any vendor receiving this drawing from RAS shall hold and use this drawing for the sole benefit of RAS and shall not disclose it to, or use or reproduce it for any third party, or perform any act adverse to the interest of RAS with respect to this drawing without the express written permission of RAS. Vendors shall not revise any physical, dimensional or performance characteristic unless authorized by Rev-A-Shelf Engineering.

REV.	DATE	BY	DESCRIPTION OF CHANGE

INCH [MM]	AMERICAN PROJECTION 	BY	DATE	REV-A-SHELF, INC.	
		DRAWN	PFC	6/6/13	SIZE B
TOLERANCES		MATERIAL	DRAWING NO.	SCALE	
MAT.	DEC.		5149-15DM18-111	0.188	
(WOOD)	.XX ±.03 [.8mm]	FINISH	PART NO.	SHEET OF	
(OTHER)	.XX ±.02 [.5mm]		5149-15DM18-111	1 2	
(ALL)	.XXX ±.005 [.13 mm]				
FRACTIONS	±1/32 [.8 mm]				



SCALE 0.350

This drawing is the property of Rev-A-Shelf (RAS) and is disclosed in confidence to the extent its subject matter is original to RAS. Any vendor receiving this drawing from RAS shall hold and use this drawing for the sole benefit of RAS and shall not disclose it to, or use or reproduce it for any third party, or perform any act adverse to the interest of RAS with respect to this drawing without the express written permission of RAS. Vendors shall not revise any physical, dimensional or performance characteristic unless authorized by Rev-A-Shelf Engineering.

PART DIMENSIONS	
WIDTH	12.02 [305.3]
DEPTH	16.03 [407]
HEIGHT	19.37 [492]
CONTAINER CAPACITY	35QT

MIN CABINET OPENING	
WIDTH	11.50 [292.1] FACE FRAME 12.13 [308.1] FRAMELESS
DEPTH	16.13 [409.7]
HEIGHT	19.75 [501.7]

PRODUCT MAX WEIGHT RATING
100LB

SLIDE SPECIFICATIONS				
SLIDE TYPE	REV-A-MOTION	SLIDE EXTENSION	1.5"OT	MAX WEIGHT RATING 100LB
SLIDE CLOSING	SELF/SOFT	SLIDE LENGTH	400MM	
SLIDE MOUNTING	BOTTOM	SLIDE FINISH	ZINC	

CUSTOMER DRAWING

REV.	DATE	BY	DESCRIPTION OF CHANGE

INCH [MM]	AMERICAN PROJECTION	DRAWN	BY	DATE	REV-A-SHELF, INC.
			PFC	6/7/13	
TOLERANCES		ANGLES ±1/2°	MATERIAL	DRAWING NO.	SCALE
MAT.	DEC.		FINISH	5149-15DM18-111	0.188
(WOOD) .XX ±.03 [8mm]	(OTHER) .XX ±.02 [5mm]		PART NO.	5149-15DM18-111	SHEET 2 OF 2
(ALL) .XXX ±.005 [13 mm]	FRACTIONS ±1/32 [8 mm]				