



# 365DisInFx™

UVA technology

## 365DisInFx™ LED Luminaires

### LBU Recessed Luminaire with 365DisInFx™ UVA technology

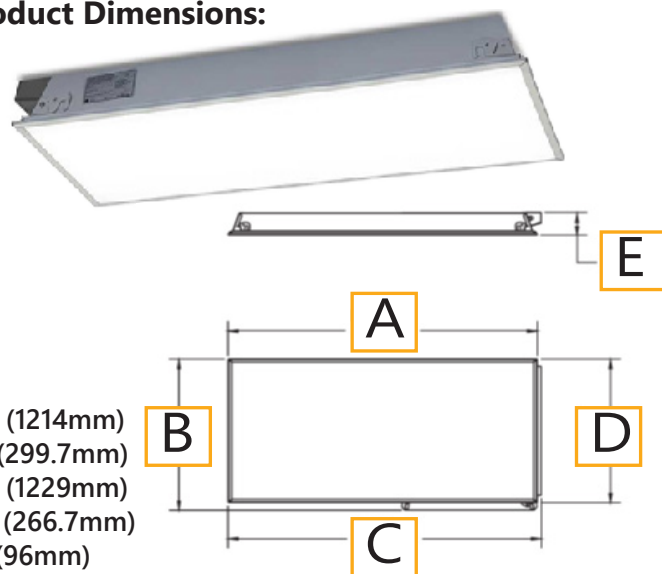
LBU14 Series -Back lit T-Grid, Disinfection Series D-Light

#### Product Description:

Current's 365DisInFx™ LBU Series Recessed LED Luminaires offer a conventional look similar to the LBT Series with significantly more capability. In addition to delivering a smooth uniform lit appearance with LED technology, the LBU series also provides Current's 365DisInFx™ UVA technology to help in the inactivation of surface bacteria where people are present and conventional lighting is needed.



#### Product Dimensions:



A = 47.8in (1214mm)  
 B = 11.8in (299.7mm)  
 C = 48.4in (1229mm)  
 D = 10.5in (266.7mm)  
 E = 3.8in (96mm)

#### Technical Summary:

**Testing Results:** 365DisInFx™ UVA disinfection technology was tested using in-vitro methods (as described in Livingston, Kvam<sup>1,2</sup>) which resulted in 99.7% reduction in MRSA on surfaces exposed to 3W/m<sup>2</sup> of 365nm UVA over a single 8-hour period. Results of this testing also showed significant reduction over a similar exposure period of certain common pathogens including *Staphylococcus aureus*, *Enterococcus faecalis*, *Escherichia coli*, *Acinetobacter baumannii*, *Pseudomonas aeruginosa*, *Candida albicans* and *auris*, associated with Hospital Acquired Infections (HAIs). Photobiological science and mathematical modeling enables us to calculate expected inactivation rates for 24-hour continuous operation of the 365DisInFx™ UVA technology.

**Safety:** 24-hour dosage is designed to operate below human health exposure limits per IEC 62471 Photobiological Safety for Lamps and Lamp Systems standard and American Conference of American Hygienists (ACGIH®) TLVs® guidelines.

**Disinfection Light Source:** 365nm UVA light emitted is invisible to the human eye and does not impact CCT or CRI.

**Light Control:** Fixture LED white light source may be controlled by wired or wireless controls and is dimmable to 5%. The UVA disinfection lightsource has a fixed output and operates continuously.

#### Product Availability:

**Product Ordering:** Product is commercially available and can be ordered for general use.

#### Notes:

- Livingston SH, Cadnum JL, Benner KJ, Donskey CJ (2020) Efficacy of an ultraviolet-A lighting system for continuous decontamination of health care-associated pathogens on surfaces. *Am. J. Infect. Control* 48: 337-339. <https://doi.org/10.1016/j.ajic.2019.08.003>
  - Inoculated steel disk carriers, modification of ASTM E-2197-02
  - using a benchtop device that delivered the 3W/m<sup>2</sup> irradiance
- Kvam E, Benner K (2017) Disinfection via LED Lighting: summary of mechanism and results for 365nm-mediated inactivation of microbes. GE Global Research Technical Information Series 2017GRC0545, GE Confidential (Class 3)  
 Kvam E, Benner K. Mechanistic insights into UV-A mediated bacterial disinfection via endogenous photosensitizers. *Journal of Photochemistry and Photobiology B: Biology*. 2020;209:111899. doi:10.1016/j.jphotobiol.2020.111899.
  - Inoculated steel disk carriers, modification of ASTM E-2197-02
  - using a benchtop device that delivered the 3W/m<sup>2</sup> irradiance.

## Ordering Number Logic

<b>LBU</b>	<b>14</b>	<b>A</b>	<b>0</b>	<b>XX</b>	<b>MM</b>	<b>AD</b>	<b>VQ</b>	<b>LT</b>	<b>WHAM</b>	
FAMILY	FIXTURE TYPE	GENERATION	VOLTAGE	NOMINAL LUMENS	DISTRIBUTION	UV	CRI/CRT	CONTROLS	MOUNTING	FINISH
LBU = 365DisInFx™ Backlit UVA	14 = 1' x 4'	A = 1st Generation	0 = 120-277V	20 = 2000 Lumen Level 30 = 3000 Lumen Level 40 = 4000 Lumen Level	MM = Med. Lambertain	AD = All Day Continuous	835 = 80CRI, 3500K 840 = 80CRI, 4000K	VQ = 0-10V Dimming	LT = T-Grid	WHAM = White Antimicrobial Paint

PRODUCT OFFERING					
PRODUCT CODE	CATLOGIC	CCT	LUMENS CODE	WHITE LED WATTS	UV LED WATTS
93136726	LBU14A020MMAD835VQLTWHAM	3500K	20	16	18
93136727	LBU14A030MMAD835VQLTWHAM	3500K	30	25	18
93136728	LBU14A040MMAD835VQLTWHAM	3500K	40	34	18
93136729	LBU14A020MMAD840VQLTWHAM	4000K	20	16	18
93136730	LBU14A030MMAD840VQLTWHAM	4000K	30	25	18
93136731	LBU14A040MMAD840VQLTWHAM	4000K	40	34	18

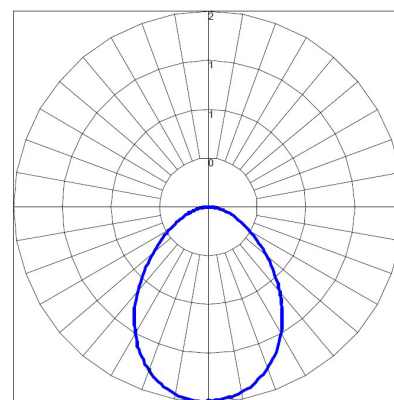
ACCESSORIES	DESCRIPTION CODE	PRODUCT CODE
Drywall mount kit 1' x 4'	GESK09	69068
1' X 4' Surface Mount kit for backlit T-grid	B14 SMK	212464

## Photometric Data: 365DisInFx™ 1' x 4' LBU14 Series

ZONAL LUMEN SUMMARY	
Zone	Lumens
0-10°	96.00
10-20°	275.92
20-30°	420.01
30-40°	509.72
40-50°	533.50
50-60°	487.59
60-70°	378.31
70-80°	225.68
80-90°	67.88
90-100°	0.26
100-110°	0.01
110-120°	0.70
120-130°	0.90
130-140°	0.77
140-150°	0.63
150-160°	0.66
160-170°	0.57
170-180°	0.19

ZONAL LUMEN SUMMARY			
Zone	Lumens	% of Lamp	% of Fixture
0-20°	371.92	N.A.	12.40
0-30°	791.93	N.A.	26.40
0-40°	1301.65	N.A.	43.40
0-60°	2322.74	N.A.	77.40
0-80°	2926.74	N.A.	97.60
0-90°	2994.62	N.A.	99.80
10-90°	2898.62	N.A.	96.60
20-40°	929.73	N.A.	31.00
20-50°	1463.23	N.A.	48.80
40-70°	1399.41	N.A.	46.70
60-80°	603.99	N.A.	20.10
70-80°	225.68	N.A.	7.50
80-90°	67.88	N.A.	2.30
90-110°	0.27	N.A.	0.00
90-120°	0.97	N.A.	0.00
90-130°	1.87	N.A.	0.10
90-150°	3.27	N.A.	0.10
90-180°	4.69	N.A.	0.20
110-180°	4.42	N.A.	0.10
0-180°	2999.31	N.A.	100.00

### POLAR GRAPH



Maximum Candela = 1.876 Located At Horizontal Angle = 100, Verticle Angle = 2  
#1 - Vertical Plane Through Horizontal Angles (100 - 280) (Through Max. Cd.)

### White light + UVA light output

Contact your Sales representative for UVA photometric data

## Product Specifications:

### LED & Optical Assembly

**CRI:** >80+

**R9:** >0

**Color Consistency:** Central limit 4-Step MacAdam Ellipse with LED recipe approach for tight unit to unit color control

**Rated Luminaire Lumen Depreciation:** L85@50,000 Hours

**UV Output:** 365nm +/- 5nm

### Electrical

**Input Voltage:** 120-277 VAC

**Input Frequency:** 50/60 Hz

**System Power Factor (PF):** >0.9\*

**Total Harmonic Distortion (THD):** <20%\*

**LED Driver Type:** Class 2

*\*PF and THD may vary with options*

### Ratings & Evaluations

**Operating Temperature:** -20°C to +25°C

**Storage Temperature:** -40°C to +70°C

**Surge Protection:** ANSI C82.77 Compliant

**Location:** Damp

**Safety:** UL/cUL Classified

**Environmental:** Compliant with material restrictions of RoHS

### Construction & Finish

**Housing:** Durable, long lasting construction. Steel, electrogalvanized, powder-coated

**Lensing:** UV rated, tempered glass diffuser

**Paint:** Highly reflective white gloss finish, antimicrobial paint

**Weight:** 20 lbs

### Make An Informed Decision

- UV radiation can pose a risk of personal injury. Overexposure can result in damage to eyes and bare skin. To reduce risk of overexposure, equipment must be installed in accordance with manufacturer's site planning and application recommendations, including minimum ceiling height restrictions.
- UV solutions are intended for common high traffic spaces and not recommended for dwellings or home use.
- Installation of the devices should be performed by qualified professionals as detailed in Current's installation guide.
- To allow for occupancy during use, Current products comply with IEC 62471 – Photobiological Safety of Lamps and Lamp Systems standards and American Conference of Governmental Industrial Hygienists (ACGIH®) TLVs® guidelines when installed as directed.
- Current's UV products are meant to be used in conjunction with other protective measures like manual cleaning and the use of proper PPE. They are not a substitute for other measures.
- Current products are not intended to be used as a medical device.
- If combining two or more UV solutions, whether from GE Current, a Daintree company and/or other manufacturers, please consult a trained product application representative to ensure the total irradiance (UV dose) does not exceed recommended human exposure limits. To the extent UV solutions are combined, it may impact inactivation rates.

### Design Life & Warranty:

**Warranty:** 5 Year on visible light portion of fixture

**Driver Design Lifetime:** >10 year life of continuous operation, >100,000 hour design parameters

**Reliability Testing:** Components and systems evaluation

### Controls

**Standard Dimming:** 0-10VDC ANSI C137.x compliant

**Minimum Dimming:** 5% of rated lumens

**Optional Dimming:** Contact Manufacturer

**Wireless Networking and Sensing Device Options\***

Daintree Enterprise Wireless enabled **Power Addition for Controls:** <2 watts

*\*Contact Factory for specific option availability*

### Mounting

**Typical Mounting:** Fits standard T-Bar grid (dropceilings)

**Wiring Access:** ½" trade-size KOs on a removable access plate provided

**T-grid Clips:** T-grid clips included on fixture body, with holes for seismic wires

**Surface Mounting:** Surface mount kit available

### Accessories & Options:

Contact your GE Current, a Daintree company sales representative for available options. For more information and access to all of our resources, including our design tools, visit: [www.gecurrent.com](http://www.gecurrent.com)



**CAUTION**

UVA emitted from this product.  
Install in compliance with manufacturer instructions  
to prevent risk of personal injury from UV radiation.