

# Lumination® LED Luminaire

## LRXB EMBB KIT

### (LRXEMBBKIT10B/FRAMEXREL10B/FRAMEXSEL10B)



## BEFORE YOU BEGIN / AVANT DE COMMENCER

Read these instructions and IOTA ILB-CP instruction manual completely and carefully.  
Wear work gloves to prevent dirt and oil from being transferred to the luminaire.

### ⚠ IMPORTANT SAFEGUARDS / MESURES DE SÉCURITÉ IMPORTANTES

- |  |   |
|--|---|
| <ul style="list-style-type: none"> <li>• Turn power off before inspection, installation or removal.</li> <li>• Install this kit only in the luminaire that has the construction features and dimensions shown in the photographs and/or drawings.</li> <li>• Installation of this retrofit assembly requires a person familiar with the construction and operation of the luminaire's electrical system and the hazard involved. If not qualified, do not attempt installation. Contact a qualified electrician.</li> <li>• To prevent wiring damage or abrasion, do not expose wiring to edges of sheet metal or other sharp objects.</li> <li>• Do not make or alter any open holes in an enclosure of wiring or electrical components during kit installation.</li> <li>• To prevent electrical shock, do not mate unit connector until installation is complete and A.C. power is supplied to the unit.</li> <li>• This kit provides more than one power supply output source. To reduce the risk of electrical shock, disconnect both normal and emergency sources by turning off the A.C branch circuit and by disconnecting the unit connector.</li> <li>• Battery is a sealed unit. Components are not replaceable. Replace the entire unit when necessary.</li> <li>• Installation and servicing should be performed by qualified personnel only. De-energize before opening.</li> <li>• The kit is for use with grounded LED luminaires listed to UL standards. Not for use in heated air outlets or hazardous locations.</li> <li>• The kit requires an unswitched A.C. power source of 120 to 277 volts, 50/60Hz.</li> <li>• Do not mount near gas or electric heaters.</li> <li>• The use of accessory equipment not recommended by the manufacturer may cause unsafe condition.</li> <li>• The kit should be mounted in locations and at heights where it will not readily be subjected to tampering by unauthorized personnel.</li> <li>• The kit and frame will supply output listed as following for 90 minutes.</li> <li>• For use in 0°C minimum, 40°C maximum ambient temperatures.</li> <li>• Do not use this equipment for other than intended use.</li> <li>• Install in accordance with the National Electrical Code and local regulations.</li> <li>• Lighting fixture manufacturers, electricians, and end users need to ensure product system compatibility before final installation.</li> </ul> | <ul style="list-style-type: none"> <li>• Couper l'alimentation avant l'inspection, l'installation ou d'effectuer de la maintenance.</li> <li>• Installer cette trousse seulement avec des luminaires possédant les caractéristiques et dimensions montrées dans les photographies et/ou dessins.</li> <li>• L'installation de cet assemblage rétro-fit requiert une personne familière avec la construction et les modes d'opérations du système électrique du luminaire ainsi que la connaissance des dangers inhérents à ce type d'installation. Ne pas installer si non qualifié, contracter plutôt un électricien qualifié.</li> <li>• Pour prévenir les dégâts ou l'abrasion du câblage électrique, éloigné ceux-ci des rebords de métal et autre objets tranchants.</li> <li>• Ne pas perforez ou altérer boîtier électrique ou tout autres composants durant l'installation de la trousse.</li> <li>• Pour prévenir les chocs électriques, ne pas connecter le connecteur de l'unité de la batterie avant que l'installation ne soit complétée et que le C.A ne soit fourni à l'unité.</li> <li>• Cette trousse fournie plus d'une source de sortie d'alimentation. Pour réduire les risques d'électrocution, déconnecter toutes les sources de courant en débranchant le C.A. de la dérivation et aussi en déconnectant le connecteur de l'unité de la batterie.</li> <li>• La batterie est une unité scellée dont les composantes ne sont pas remplaçables. Remplacer l'unité entière lorsque nécessaire.</li> <li>• L'installation et la maintenance doivent être effectuée par du personnel qualifié seulement. Couper la tension avant de procéder.</li> <li>• Cette trousse a été conçue pour être utilisé avec des luminaires DEL possédant une mise à la terre et listé sou un standard UL. Ne pas utiliser pour un usage dans un conduit d'air chaud ou dans des emplacements dangereux.</li> <li>• Cette trousse requiert une source d'alimentation en CA. de 120 à 277 volts sans interrupteur à 50/60Hz.</li> <li>• L'utilisation d'équipement accessoire non recommandé par le fabricant peut causer des conditions dangereuses.</li> <li>• Cette trousse et se châssis fourniront la source lumineuse répertoriée pour 90 minutes.</li> <li>• Peut-être utilisé à une température ambiante entre 0°C minimum et 40°C maximum.</li> <li>• Ne pas utiliser cet équipement pour autre chose que pour l'utilisation prévue.</li> <li>• Installer en conformité avec le code électrique national et la réglementation locale.</li> <li>• Les fabricants d'appareils d'éclairage, les électriciens et les utilisateurs finaux doivent s'assurer de la compatibilité du produit avant l'installation finale.</li> </ul> |
|--|---|

**⚠ CAUTION / ATTENTION**

- |  |   |
|--|---|
| <ul style="list-style-type: none"> <li>• Fixture may fall down if not installed properly, follow installation instructions.</li> <li>• Wear safety glasses and proper aid during installation and maintenance.</li> <li>• Use only UL certified wire, wire connectors, minimum 18AWG, minimum rated 75°C.</li> </ul> | <ul style="list-style-type: none"> <li>• Le luminaire peut tomber s'il n'est pas installé correctement, suivre les instructions d'installation.</li> <li>• Porter des lunettes de sécurité et utiliser outils adéquats durant l'installation et la maintenance.</li> <li>• N'utilisez que des fils approuvés par UL pour les entrées/sorties de connexion. Calibre minimum 18AWG (0.75mm<sup>2</sup>) et température minimale de 75°C.</li> </ul> |
|--|---|

## Save These Instructions

Use only in the manner intended by the manufacturer. If you have any questions, contact the manufacturer.

**Note:** LRXEMBBKIT10B, FRAMEXREL10B and FRAMEXSEL10B are suitable for wet locations and are intended for covered ceiling installation only. The retrofit kit is accepted as a component of a luminaire where the suitability of the combination shall be determined by UL or authorities having jurisdiction.

Wear work gloves to prevent dirt and oil from being transferred to the luminaire.

## Kit for Retrofit

- LRXEMBBKIT10B

## Kit vs Fixture for New Construction

Fixture Description	EMBB Frame Kit Description	Fixture Description	EMBB Frame Kit Description
LRXBR4XXXXXXXX	FRAME4REL10B	LRXBS4XXXXXXXX	FRAME4SEL10B
LRXBR6XXXXXXXX	FRAME6REL10B	LRXBS6XXXXXXXX	FRAME6SEL10B
LRXBR8XXXXXXXX	FRAME8REL10B	LRXBS8XXXXXXXX	FRAME8SEL10B
LRXBR10XXXXXXXX	FRAME10REL10B		
LRXBR12XXXXXXXX	FRAME12REL10B		

- LRXEMBBKIT10B, FRAMEXSEL10B shall be mounted Max. 25.99ft (7.92m).

## Prepare Electrical Wiring



### Electrical Requirements

- The LED luminaire must be connected to the mains supply according to its ratings on the product label.
- Class 1 wiring should be in accordance with NEC.



### Grounding Instructions

- The grounding and bonding of the overall system shall be done in accordance to local electric code of the country where the luminaire is installed.

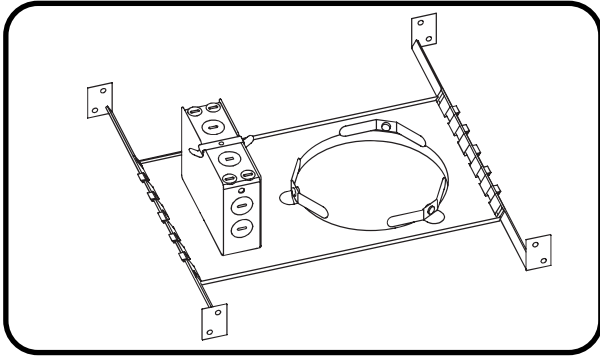
## Fixture Requirements

The units covered by this install instruction are intended to retrofit listed surface mounted luminaires, as well as type Non-IC recessed mounted fluorescent type luminaires. Please review **Step 1** for an example existing fixture depiction.

## Provided Components

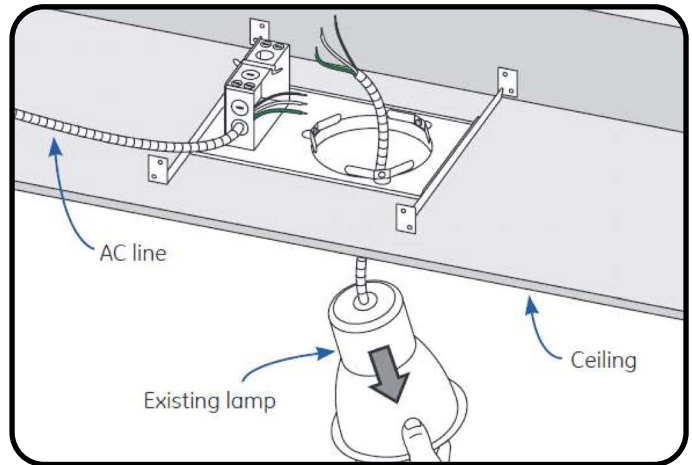
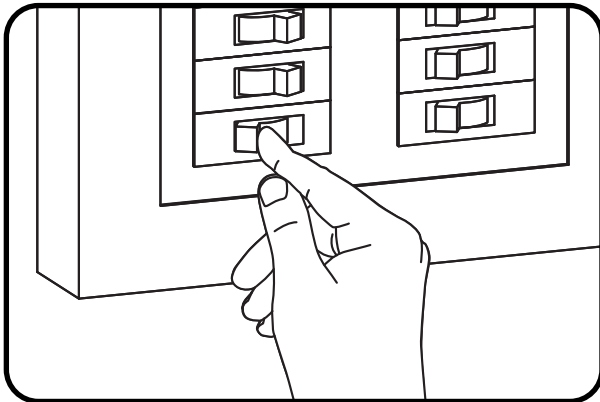
The components have been properly packed to avoid damage during transit. Inspect the components to confirm there is no physical damage. Do not install damaged components.

**LRXEMBBKIT10B for Retrofit**



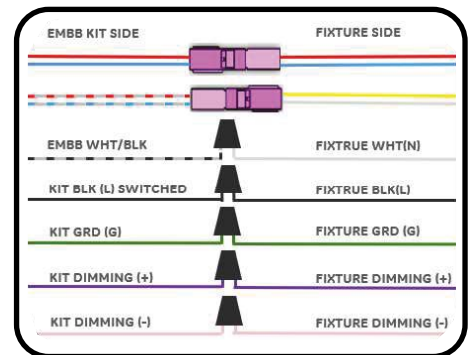
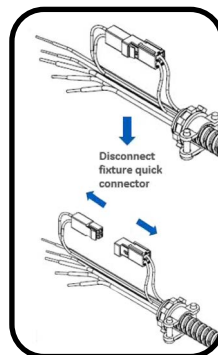
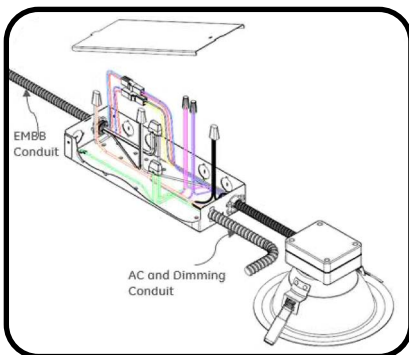
Fixture size	Fixture Type	Existing Bracket Hole Size (inch)
4	Round	4.5~5.0
6	Round	6.0~6.7
8	Round	7.8~8.8
10	Round	10.2~11.2
12	Round	12.2~13.2
4	Square	4.5~5.0
6	Square	6.0~6.8
8	Square	8.0~9.0

- 1 Before retrofit, verify that the junction box and bracket in the existing installation are metal and are constructed similarly to the illustration above.



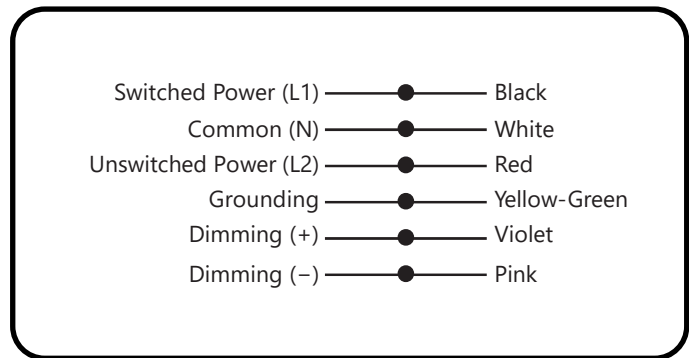
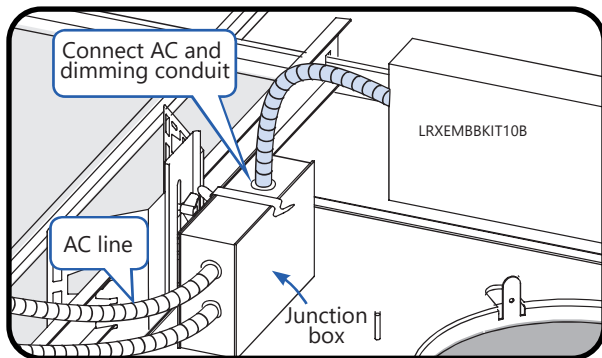
- 2 Ensure that the power to the unit is turned off. Use proper lockout and tagout procedures.

- 3 Remove existing downlight fixture. Leave wiring in junction box. Verify that the AC supply line is provided with a ground wire connected to the luminaire.



- 4 Take out the EMBB Kit and LRXB fixture from different packages. Remove the knock out from the box and connect the fixture conduit as picture shows. Disconnect the quick connector on the fixture side and mate with the other half from EMBB side.

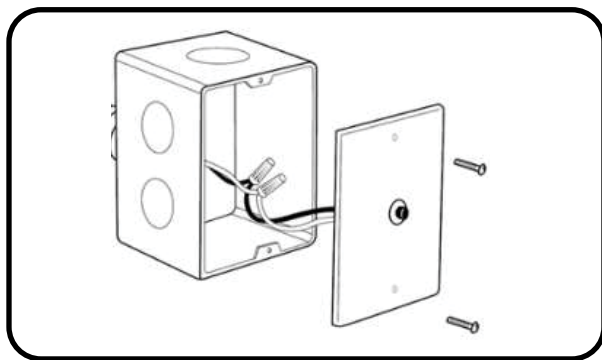
Connect the Black(L) wire from fixture to Black wire. Connect White wire(N) from fixture side to White/Black from EMBB side. connect the Ground wire(G) in the connector.



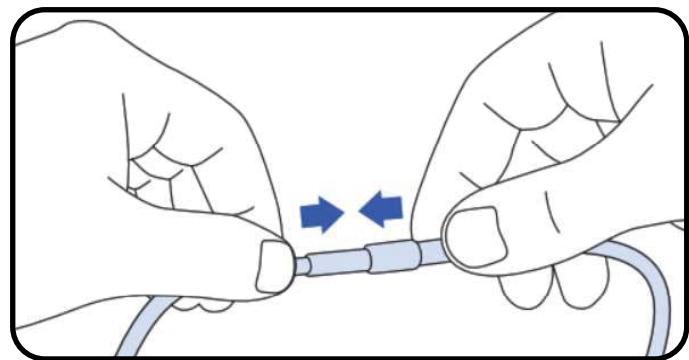
5 Connect the conduit from the EMBB kit with AC and dimming leads to the junction box. Verify that the AC supply line and dimming leads are connected properly (see wiring diagram).

**NOTE:** For phase cut dimming product, dimming leads can be disconnected.

- If dimming leads will not be utilized, please do not remove the wire connectors.
- Dimming compatibility for both 0–10V and phase cut, please refer to Current's website: [www.led.com/dimming](http://www.led.com/dimming).



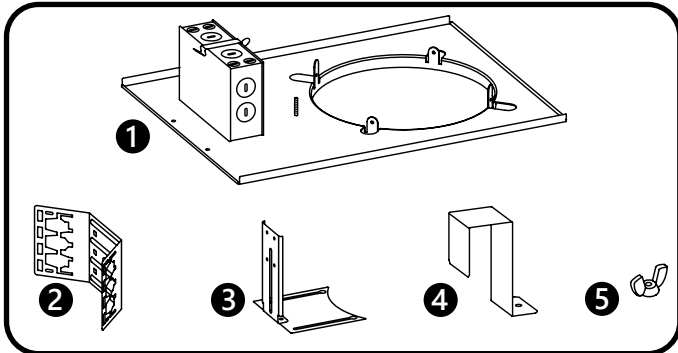
6 Attach the test strip to junction box with provided flexible conduit. Use longer flexible conduit (not provided) for remote mounting of the test switch.



7 Connect male and female ends of the battery unit connector. Then the battery will discharge, please refer to the picture shown above.

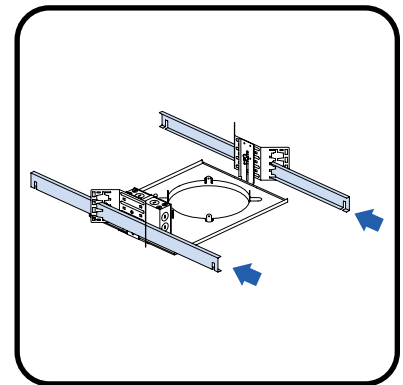
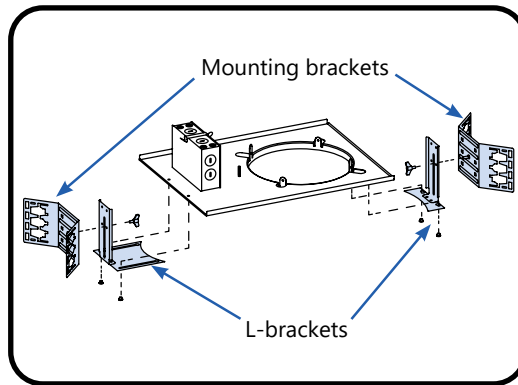
### FRAMEXXEL10B for LRXB EMBB New Construction

#### Components

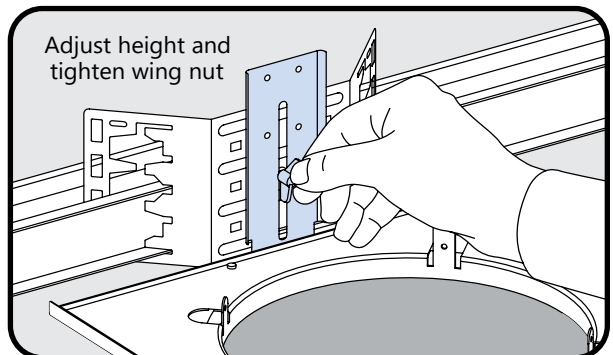
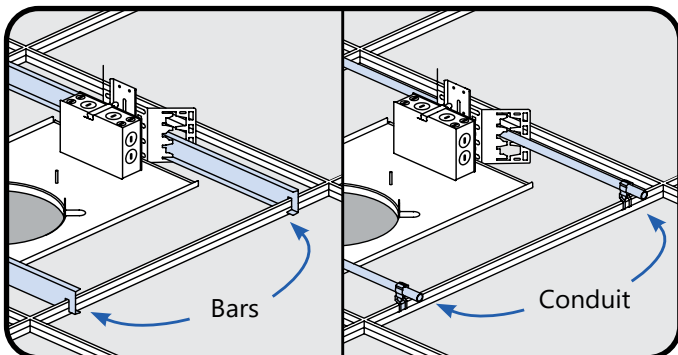


Provided Item	Qty.
1 Frame (4-inch, 6-inch, 8-inch, 10-inch or 12-inch)	1
2 Mounting Brackets	2
3 L-Bracket	2
4 U-Bracket (used only with RC/LRC Series Installs)	1
5 Wing Nut	3

Fixture Size (inch)	Type	Suitable Frame	Suggested Ceiling Hole
4	Round	FRAME4R	5.0~5.5
6	Round	FRAME6R	6.6~7.1
8	Round	FRAME8R	8.2~8.7
10	Round	FRAME10R	10.6~11.2
12	Round	FRAME12R	12.5~13.3
4	Square	FRAME4S	5.1~5.6
6	Square	FRAME6S	6.9~7.4
8	Square	FRAME8S	8.5~9.4

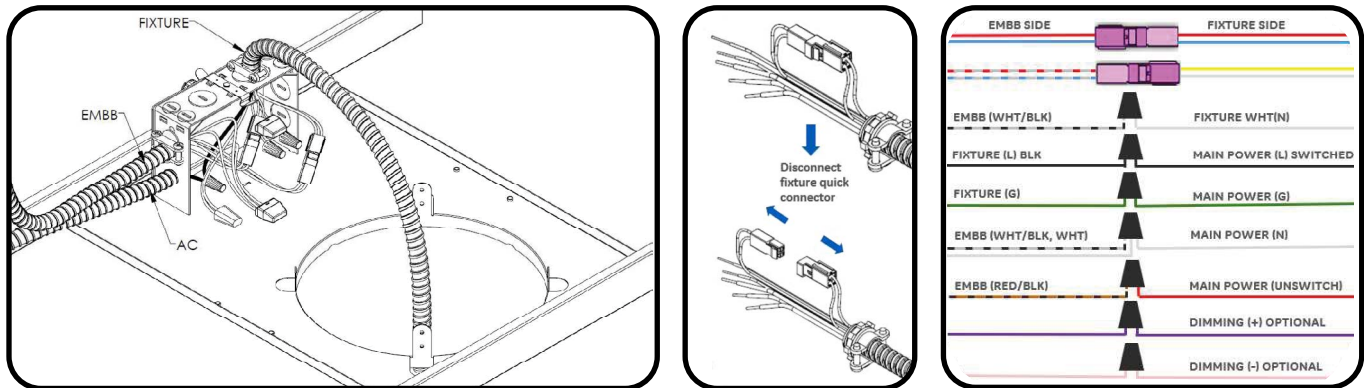


- 1 Cut the appropriate size hole into ceiling tile.
- 2 Place side L-brackets on existing frame screws and tighten with screwdriver on both sides of the frame. Then attach mounting brackets to both L-brackets with wing nuts (provided).
- 3 Slide hanger bars (not provided) through adjustable mounting brackets.

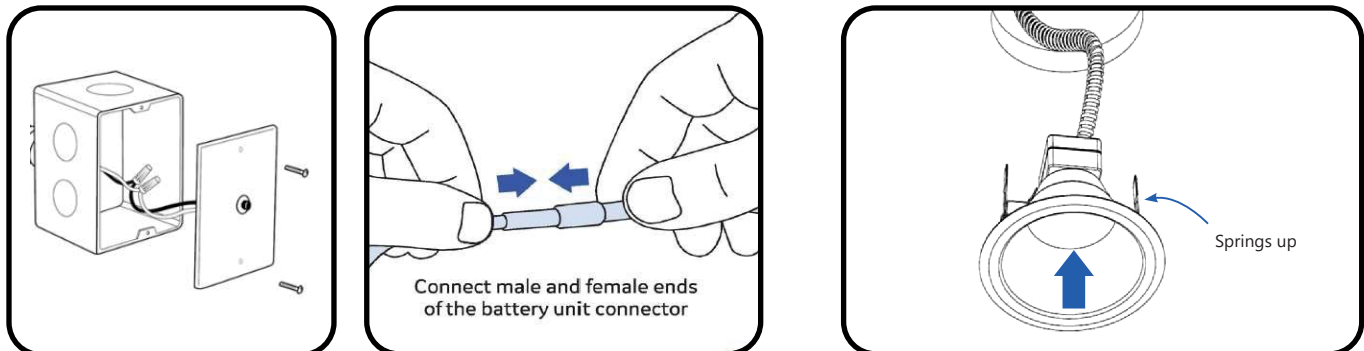


- 4 **Option A:** Mount fixture by attaching hanger bars to T-Grid ceiling (BH3 SKU 94890).  
**Option B:** Mount fixture with 1/2 EMT conduit.
- 5 Adjust fixture height to be flush with ceiling and tighten wing nut

**NOTE:** Supplied by 3rd party.



- 6 Take out LRXB fixture from package. Connect the fixture conduit to junction box. Disconnect the quick connector on the fixture side and mate with the other half from EMBB side. Connect White wire (N) from fixture side to White/Black from EMBB side. White (N) from main power to white/black. Black (L) from main power to Black from fixture. Red (emergency line, unswitched) to Black/Org from EMBB. Connect the Ground wire (G) in the connector.



- 7 Attach the test strip to junction box with provided flexible conduit. Use longer flexible conduit (not provided) for remote mounting of the test switch.

**NOTE:** For phase dut dimming product, dimming leads (violet and pink wires) are disconnected.

- 8 Load springs into upright position by twisting the springs upward and carefully insert the fixture to the hole of the frame. Ensure fixture is secure.
- All kit and frame will be completely addressed on ceiling.

This device complies with Part 15 of the FCC Rules. Operation is subject to the following two conditions: (1) This device may not cause harmful interference, and (2) this device must accept any interference received, including interference that may cause undesired operation.  
CAN ICES-005 (A)/NMB-005(A)

**NOTE:** This equipment has been tested and found to comply with the limits for a Class A digital device, pursuant to part 15 of the FCC Rules. These limits are designed to provide reasonable protection against harmful interference when the equipment is operated in a commercial environment. This equipment generates, uses, and can radiate radio frequency energy and, if not installed and used in accordance with the instruction manual, may cause harmful interference to radio communication. Operation of this equipment in a residential area is likely to cause harmful interference in which case the user will be required to correct the interference at his own expense.