

## LUMELHL Series

LED | High Lumen  
Emergency Light



CUSTOMER NAME \_\_\_\_\_

Project Name \_\_\_\_\_

Date \_\_\_\_\_ Type \_\_\_\_\_

Catalog Number \_\_\_\_\_

- 2.7W units provide 55' spacing; 5.4W units provide 95' spacing
- Battery recharge within 24 hours
- Damp Location Listed 10°C to 40°C (50°F to 104°F)
- Dual-voltage 120 through 277V AC, 50/60 Hz. input
- Includes long-life Lithium Iron Phosphate battery at 9.6Vdc
- Provided with test switch and AC-On indicator

### SPECIFICATIONS

#### APPLICATION

- The LUMELHL Series is designed for high ceiling height applications, long hallways, large open areas like warehouses, factories, retail stores, schools and other commercial applications

#### CONSTRUCTION

- Adjustable high-power LED lamp heads
- The LUMELHL is constructed of UL5VA flame-rated and UV-stable corrosion resistant thermoplastic
- Lamp head construction is in polycarbonate

#### INSTALLATION

- Designed for wall or ceiling mount to electrical outlet boxes

#### ELECTRICAL

- Includes a long-life Lithium Iron Phosphate battery for UL recognized 90 minute emergency lighting
- Emergency illumination is provided by 3 high-power LEDs per lamp-head. The LUMELHL has a total lumen output of 550 lumens, and the LUMEL2HL has a total lumen output of 1300 lumens

#### CERTIFICATIONS

- UL924 Listed for Damp Location
- NFPA 101 and NFPA 70
- OSHA
- CEC T20 Compliant

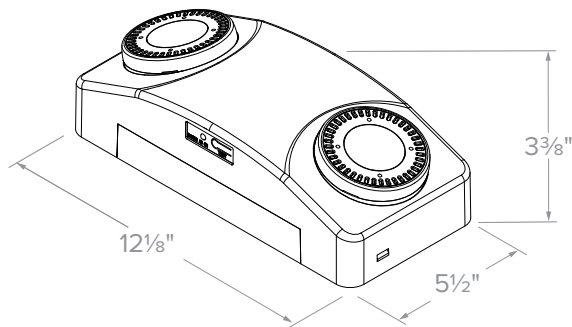
#### WARRANTY

- 2 year full unit warranty
- See Lumination Standard Warranty for additional information

### ORDERING GUIDE

Catalog Number	Description
LUMELHL	White housing, 2.7W LED lamps, 550 lumens total
LUMEL2HL	White housing, 5.4W LED lamps, 1300 lumens total

### DIMENSIONS

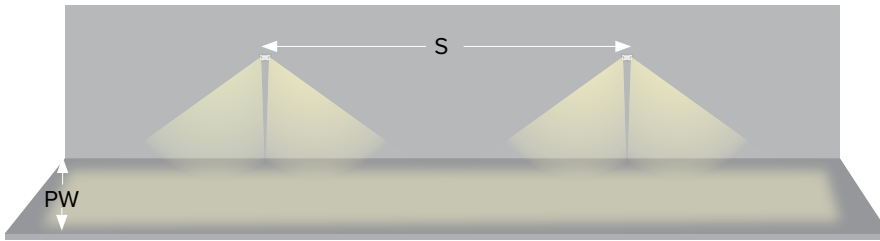


Single Carton Weight	2.6 lbs.
Master Carton Quantity	6 each

### ENERGY CONSUMPTION

	120VAC		277VAC	
	Watts	Amps	Watts	Amps
LUMELHL	0.9W	18mA	1.0W	12mA
LUMEL2HL	2.58W	44mA	2.6W	25mA

### APPLICATION INFORMATION



	Multiple Unit Spacing (7.5' Mounting Height)	
	Path Width (PW)	Spacing (S)
LUMELHL	6'	55'
LUMEL2HL	6'	95'

Note: Meets Life Safety Code minimum illuminance of 0.1 fc and average illuminance of 1.0 fc. Assumes open space with no obstructions, ceiling height of 9' and reflectances of 80/50/20. Photometry files available on the Lumination website

### LAMP HEAD ADJUSTABILITY

