

This drawing is the property of Rev-A-Shelf (RAS) and is disclosed in confidence to the extent its subject matter is original to RAS. Any vendor receiving this drawing from RAS shall hold and use this drawing for the sole benefit of RAS and shall not disclose it to, or use or reproduce it for any third party, or perform any act adverse to the interest of RAS with respect to this drawing without the express written permission of RAS. Vendors shall not revise any physical, dimensional or performance characteristic unless authorized by Rev-A-Shelf Engineering.

CUSTOMER DRAWING

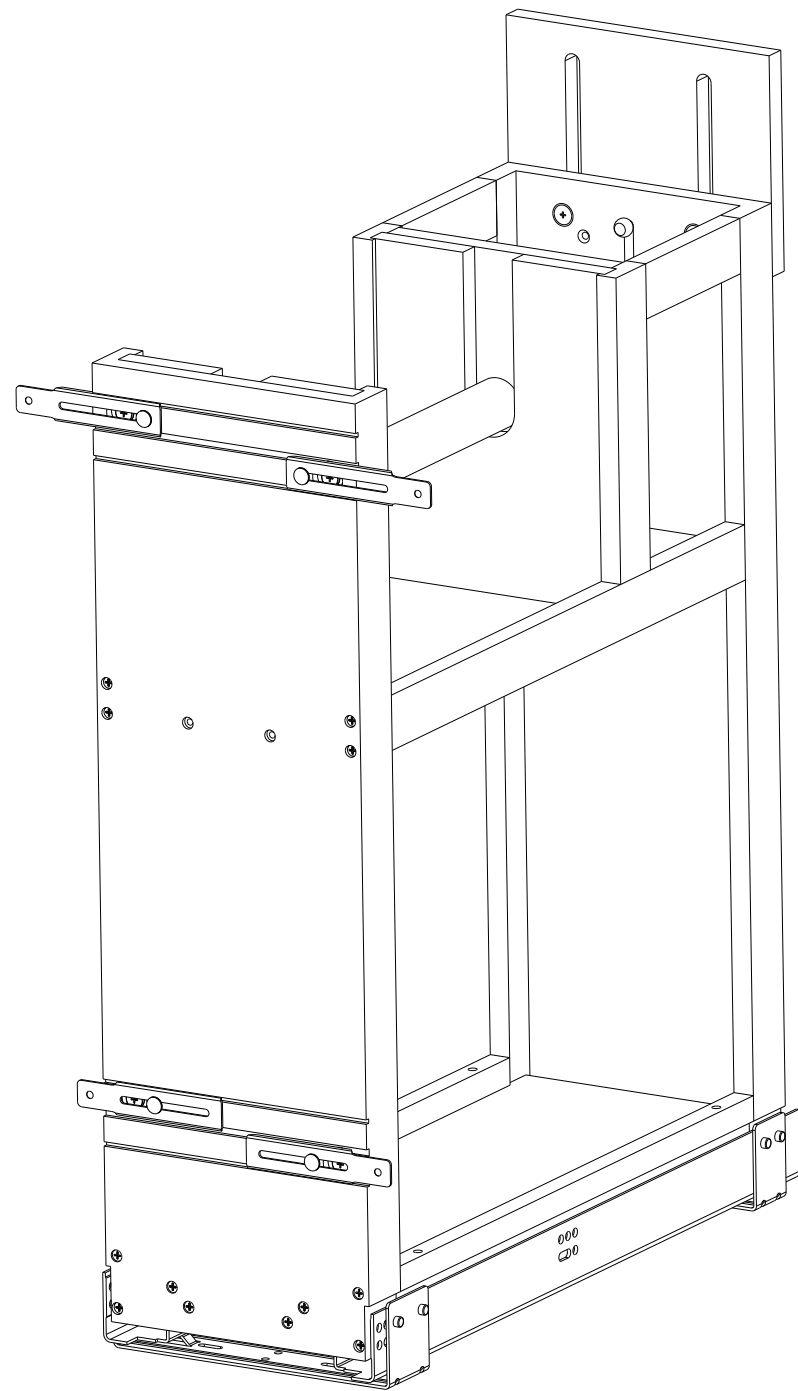
REV-A-SHELF, INC.

INCH [MM]	AMERICAN PROJECTION 	BY	DATE	DRAWING NO. 448PTH-BCSC-8C	SCALE 0.250
		BKT	4/14/17		
		MATERIAL	SEE NOTES	PART NO.	SHEET OF
		FINISH	SEE NOTES	448PTH-BCSC-8C	1 2

REV.	DATE	BY	DESCRIPTION OF CHANGE

TOLERANCES
 MAT. DEC.
 (WOOD) .XX ±.03 [.8mm]
 (OTHER) .XX ±.02 [.5mm]
 (ALL) .XXX ±.005 [.13 mm]
 FRACTIONS ±1/32 [.8 mm]

ANGLES
 ±1/2°



PART DIMENSIONS		
	MIN	MAX
WIDTH	8.71 [221,3]	
DEPTH	21.71 [551,5]	
HEIGHT	26.91 [683,5]	30.87 [784,2]

MIN CABINET OPENING				
	FACE FRAME	FRAMELESS	INSET FACE FRAME	INSET FRAMELESS
WIDTH	8.50 [215,9]	9.00 [228,6]	8.50 [215,9]	9.00 [228,6]
DEPTH	21.75 [552,5]	21.75 [552,5]	22.50 [571,5]	22.50 [571,5]
HEIGHT	27.25 [692,2]	27.25 [692,2]	27.25 [692,2]	27.25 [692,2]

SLIDE SPECIFICATIONS				
SLIDE TYPE	BLUM H-SLIDE BLUMOTION	SLIDE EXTENSION	FULL	MAX WEIGHT RATING
SLIDE CLOSING	SELF/SOFT	SLIDE LENGTH	21.50 [546]	
SLIDE MOUNTING	BOTTOM	SLIDE FINISH	ZINC	135 LB

CUSTOMER DRAWING

This drawing is the property of Rev-A-Shelf (RAS) and is disclosed in confidence to the extent its subject matter is original to RAS. Any vendor receiving this drawing from RAS shall hold and use this drawing for the sole benefit of RAS and shall not disclose it to, or use or reproduce it for any third party, or perform any act adverse to the interest of RAS with respect to this drawing without the express written permission of RAS. Vendors shall not revise any physical, dimensional or performance characteristic unless authorized by Rev-A-Shelf Engineering.

REV.	DATE	BY	DESCRIPTION OF CHANGE

INCH [MM]	AMERICAN PROJECTION	DRAWN	BY	DATE	REV-A-SHELF, INC.
			BKT	4/14/17	
TOLERANCES			MATERIAL	DRAWING NO.	SCALE
MAT.	DEC.	ANGLES		448PTH-BCSC-8C	0.25:04
(WOOD) .XX ±.03 [.8mm]	.XX ±.02 [.5mm]	±1/2°	FINISH	PART NO.	SHEET OF
(ALL) .XXX ±.005 [.13 mm]	FRACTIONS ±1/32 [.8 mm]			448PTH-BCSC-8C	2 2