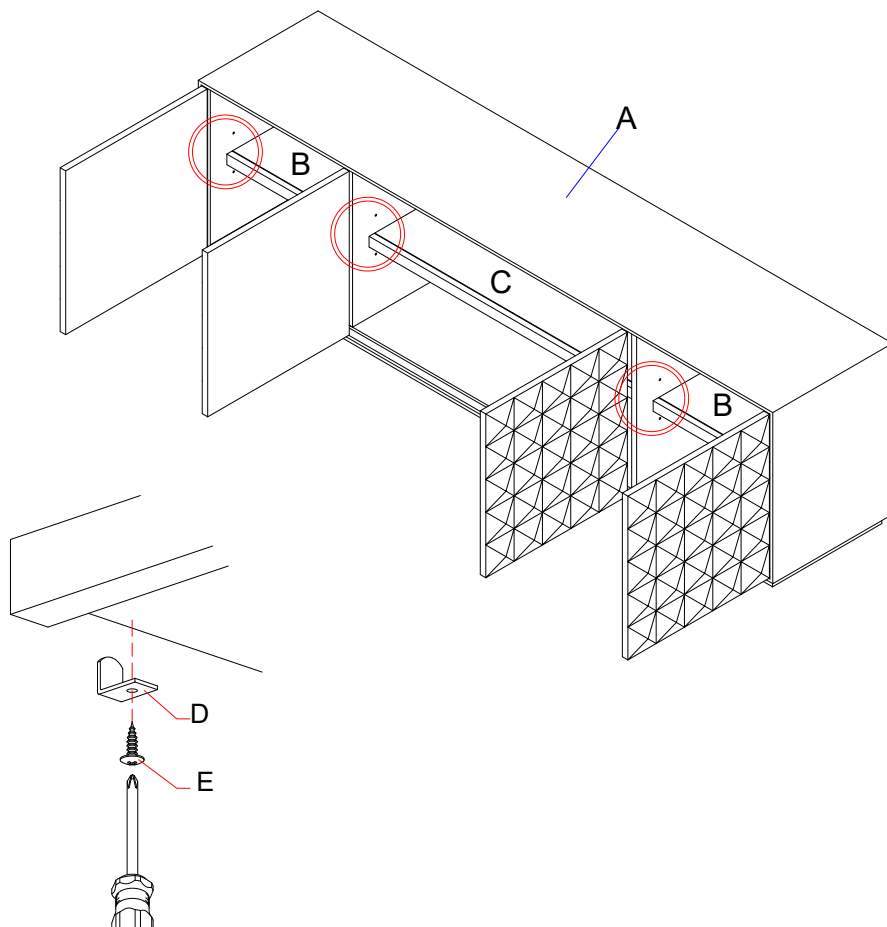


SONDER

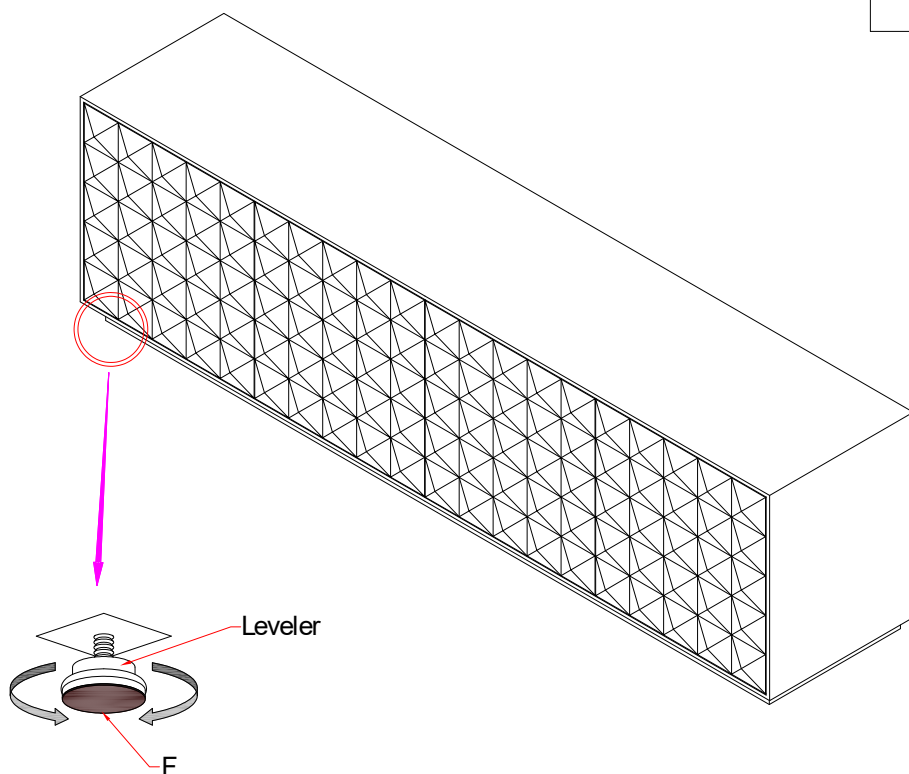
LIVING

FRANK MEDIA CONSOLE

1



2



A		1
B		2
C		1
D		12
E		12
F		6