

# Albeo® LED Accessory

## Emergency Battery Backup Module



CUSTOMER NAME \_\_\_\_\_

Project Name \_\_\_\_\_

Date \_\_\_\_\_ Type \_\_\_\_\_

Catalog Number \_\_\_\_\_

Albeo® expands its high bay product accessories to include an emergency battery backup option. When used in conjunction with any Albeo® product, the emergency battery backup module will meet NFPA 101 requirements for egress lighting when power is not provided to a luminaire.

### CONSTRUCTION

<b>Housing:</b>	Stamped Metal
<b>Paint:</b>	White
<b>Weight:</b>	2 lbs (0.91 kg)
<b>Optical Assembly:</b>	<ul style="list-style-type: none"><li>• EBBM lens system enables LEDs to provide optimized illumination for open floor and racked aisles with photometric distributions of 50 and 120 degrees.</li><li>• Utilizes high brightness LEDs, 70 CRI at 5000K CCT typical</li><li>• LM-79 tests and reports are performed in accordance to IESNA standards.</li></ul>

### OPTICAL SYSTEM

<b>Lumens:</b>	1650lm, 1750lm
<b>Wattage:</b>	Up to 4W
<b>CCT:</b>	5000K
<b>CRI:</b>	70

### ELECTRICAL

<b>Input Voltage:</b>	120-277V
<b>EMI:</b>	Title 47 CFR 15 Class A
<b>Charge Mode Power:</b>	<4W

### LUMEN AMBIENT TEMPERATURE

<b>TEMPERATURE RATED</b>
0°C to +50°C (32°F to 122°F)

### APPLICATIONS

- Designed to meet Life Safety Code NFPA 101 requirements
- Will provide illumination for 90 minutes while in an emergency state\*
- Recommended for use with the following Albeo® fixture families: ABC, ABH, ABV, ALC, ALV

\*Lighting layout designer to ensure that NFPA 101 is met: initial average of 1fc w/ a 0.1fc minimum. At 90 minutes of operation an average of 0.6fc w/ a 0.06fc minimum must be met. No greater than 40:1 uniformity ratio

### MOUNTING

- **Typical Mounting:** 1/2" NPT chase nipple
- Can be field installed

### DESIGN LIFE & WARRANTY

- Current's Limited 5-year Warranty:  
Please refer to document **IND599** for more information.

### ADDITIONAL INFO

- UL 924 Emergency Lighting and Power Equipment



# Albeo® LED Accessory

## Emergency Battery Backup Module

### Ordering Information

#### CUSTOMER NAME

Project Name \_\_\_\_\_

Date \_\_\_\_\_ Type \_\_\_\_\_

Catalog Number \_\_\_\_\_

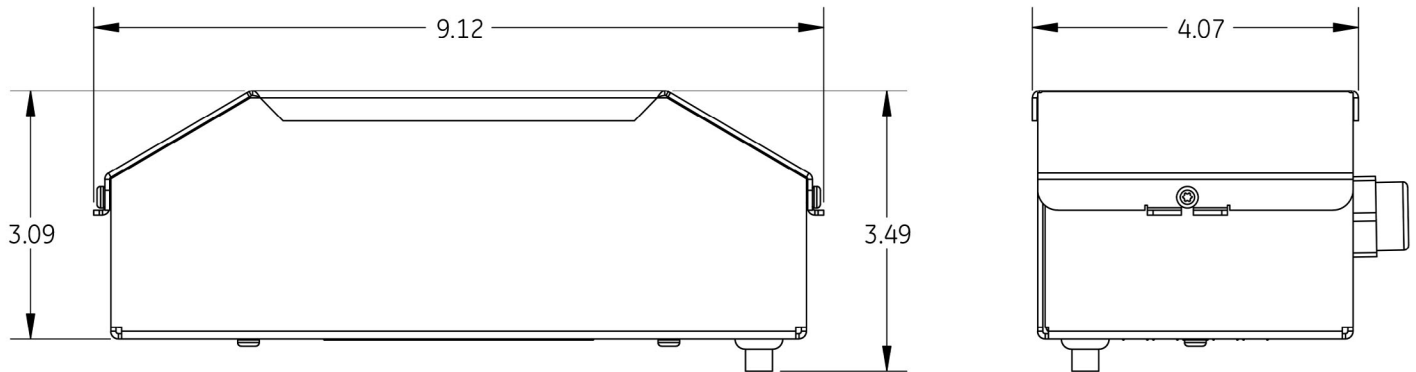
### ORDERING INFORMATION:

OPTION CODE	TYPICAL INITIAL LUMENS 70 CRI / 5000K	TYPICAL SYSTEM WATTAGE	MAXIMUM AMBIENT TEMPERATURE
EL1 OR ASM2429 - 93059500	1750	Up to 4W	50°C
EL5 OR ASM2430 - 93059499	1650	Up to 4W	50°C

#### ORDERING NOTES:

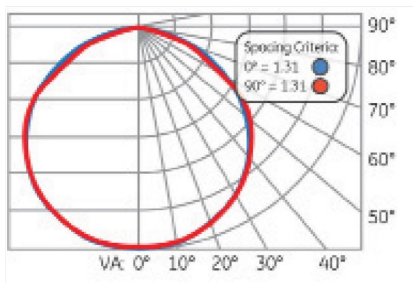
- Use the following option code when ordering Albeo® luminaries:  
**EL1** for 120° beam pattern  
**EL5** for 50° beam pattern  
 (Example: ABV1xxxxxxxxxxxxxxEL1)
- Use the following ordering codes when ordered as a field installable unit:  
**93059500 - ASM2429** for 120° beam pattern  
**93059499 - ASM2430** for 50° beam pattern

### PRODUCT DIMENSIONS



### PHOTOMETRIC DATA

**Distribution 120° Full Beam Angle (EL1)**



**Distribution 50° Full Beam Angle (EL5)**

