

GTX™ City LED Signal Modules

200 and 300 mm
Central Light Source
VLC-040 series
Bi-Voltage



Project Name _____

Date _____ Type _____

Notes _____



14th generation LED signal, building on 15 years of experience & over 6,000,000 units sold worldwide

OUTSTANDING PERFORMANCE

- Up to 80% energy savings vs. 50 W incandescent bulb.
- Central light source for a uniform looking signal.
- Operates from -40°C to +60°C.
- Phantom Class 5.

MAXIMUM FLEXIBILITY

- Low profile module permits efficient installation into existing traffic housings.
- Easy-to-install. Internal mask compatible to fit your unique signaling needs.*

MEETS RIGOROUS CERTIFICATION & TESTING STANDARDS

- Compliant with following sections of EN12368:2006:
 - > 5.1 Environmental Requirements
 - > 6 Optical Requirements
 - > 8 Optical Test Methods
 - > 9 Tolerances
 - > 10 Marking, Labelling and Product Information
 - > 11 Evaluation Conformity
- IP65 Ingress Protection acc. to EN60598 (as per EN12368).
- Designed and tested through Current's rigorous Six Sigma process.
- 100% of signals are performance tested and traceable by serial numbers.
- EMC requirements acc. to EN50293 (as per EN12368 sect. 5.2)

* Sold separately.



The Greatest Signals Stand the Test of Time.™

GTX™ City LED Signal Modules

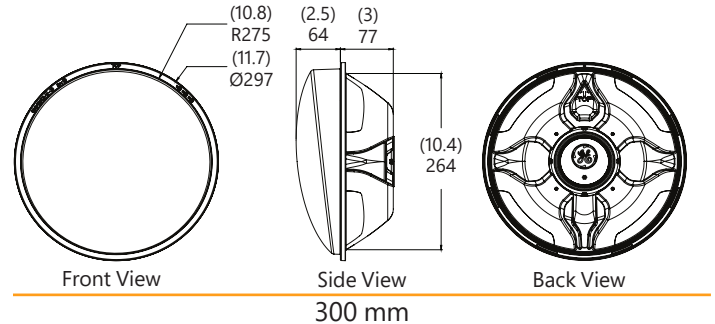
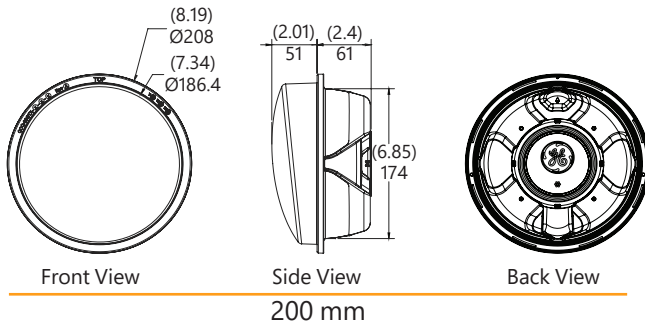
200 and 300 mm

Project Name _____

Date _____ Type _____

Notes _____

Mechanical Outline Dimensions in mm (inches)



Design Compliance

Test type	Compliance
Impact Resistance	IR3 acc. to EN 60598-1
Environmental Class	A, B & C
Ingress Protection	t acc. to EN 60598
Signal with Symbol	S ¹
EMC	Class B acc. to EN 50293
Solar Radiation	Sa
Protection Class	Safety Class II, acc. to EN 60598

Operating Specifications

Parameter	Rating
Operating Temperature Range ²	-40°C to +60°C
Operating Voltage at Full Brightness	110V and 220V
Power factor (Pf)*	> 90%
Total Harmonic Distortion (THD)	< 20%
Minimum Voltage Turn-Off (VTO)	95V
Turn-On/Turn-Off Time	< 100 ms
Front Shell Material	UV Stabilized Polycarbonate

* Measured at 220V

Product Information

Model Number	Front Shell	Size (in)	Color	Minimum Light Intensity (Cd)	Maximum Light Intensity (Cd)	Nominal Power (W)	Phantom Class	Performance Levels Distribution*	Luminous Intensity*	Uniformity*	Weight kg (lbs)
DR4-RCFB-VLC-040	Black	200	Red	400	2000	10.5W	5	B2/2	Type W & E	< 1:10	0.7 (1.5)
DR4-YCFB-VLC-040	Black	200	Yellow	400	2000	10.5W	5	B2/2	Type W & E	< 1:10	0.7 (1.5)
DR4-GCFB-VLC-040	Black	200	Green	400	2000	11.0W	5	B2/2	Type W & E	< 1:10	0.7 (1.5)
DR4-WCFB-VLC-040	Black	200	White	400	2000	10.5W	5	B2/2	Type W & E	< 1:10	0.7 (1.5)
DR6-RCFB-VLC-040	Black	300	Red	400	2000	10.0W	5	B2/2	Type W & E	< 1:10	1.1 (2.4)
DR6-YCFB-VLC-040	Black	300	Yellow	400	2000	10.5W	5	B2/2	Type W & E	< 1:10	1.1 (2.4)
DR6-GCFB-VLC-040	Black	300	Green	400	2000	11.0W	5	B2/2	Type W & E	< 1:10	1.1 (2.4)
DR6-WCFB-VLC-040	Black	300	White	400	2000	10.5W	5	B2/2	Type W & E	< 1:10	1.1 (2.4)

¹ Values are subject to change without notice. Please contact your Current sales representative for most up to date information

² For a higher temperature range, please contact your Current representative.

* According to EN 12368: 2006