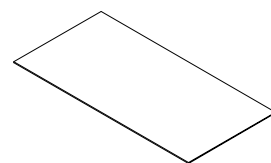
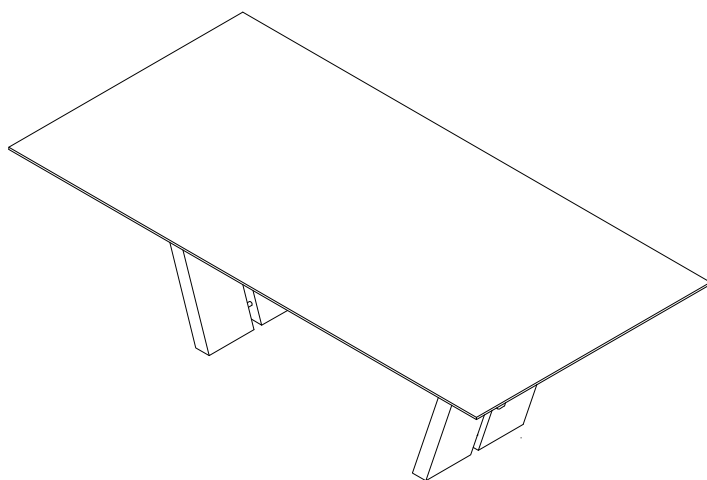
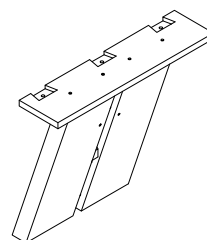


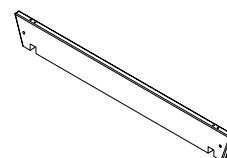
BONHAM DINING TABLE



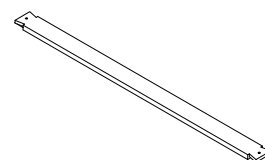
1



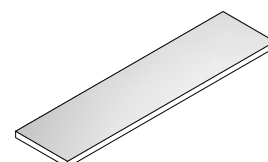
2



1

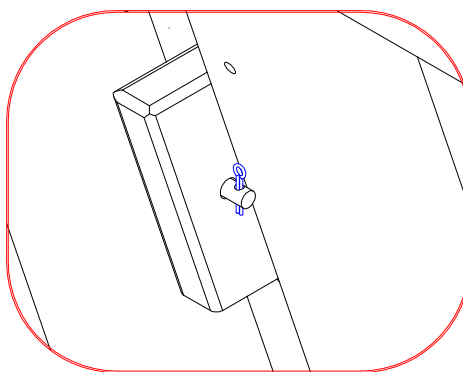
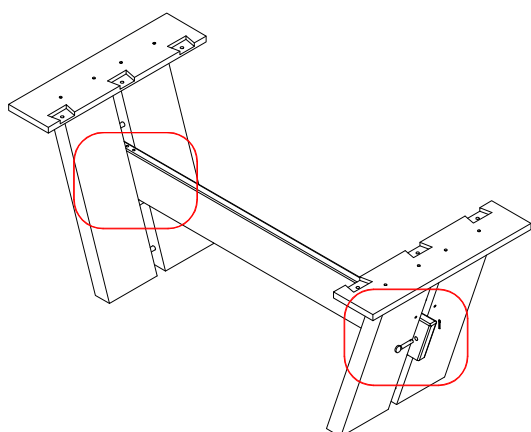


3

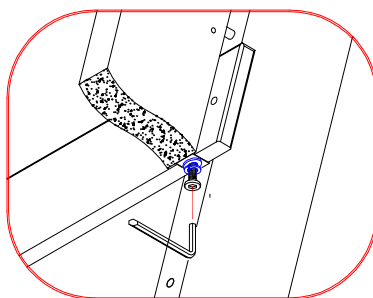
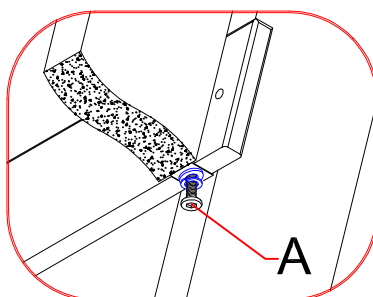
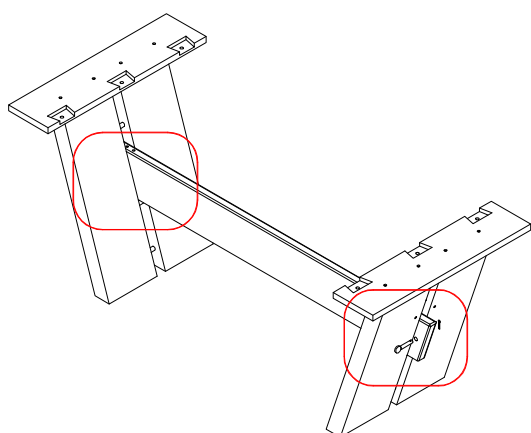


2

1

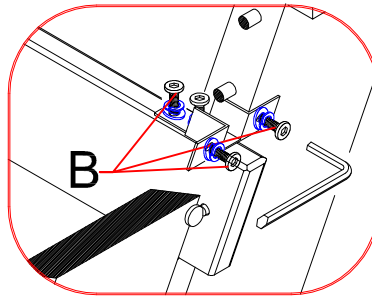
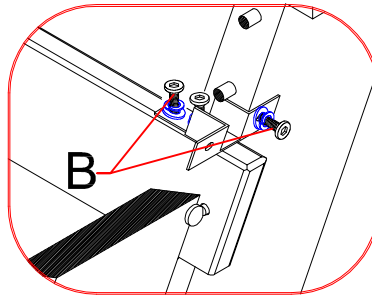
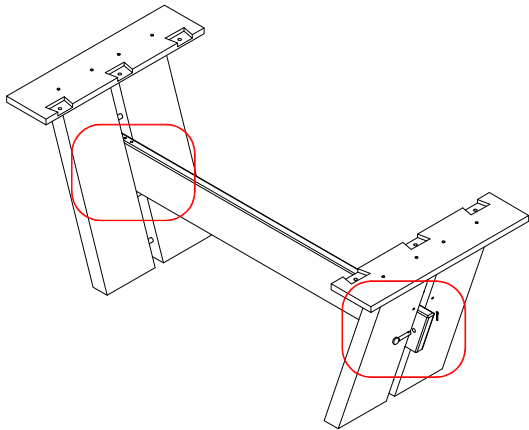


2



BONHAM DINING TABLE

3



A = $\frac{3}{8}$ " x 2- $\frac{3}{8}$ "

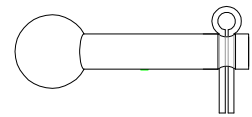


2

B = $\frac{1}{4}$ " x $\frac{7}{8}$ "

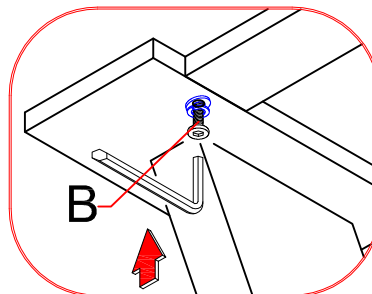
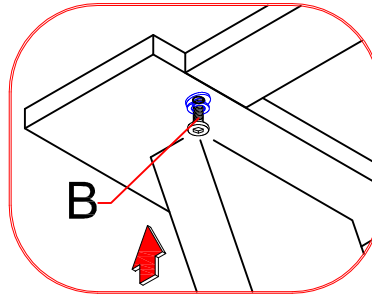
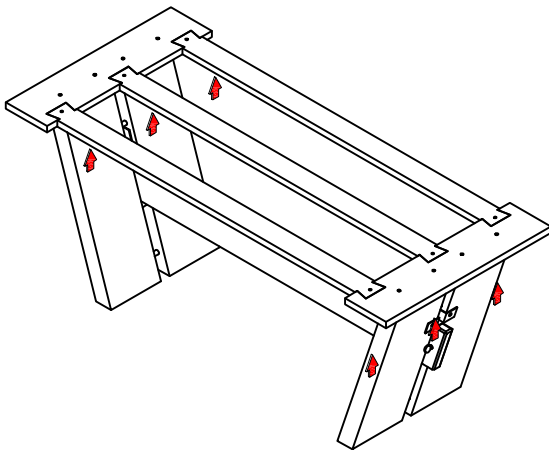


14

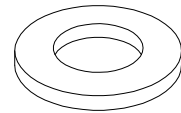


2

4

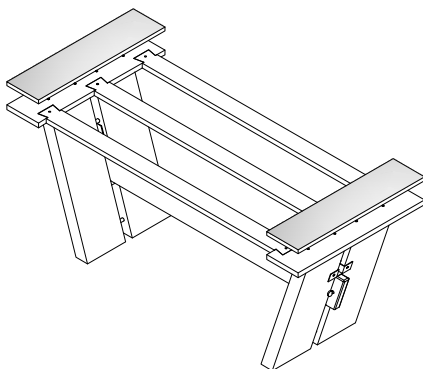


16

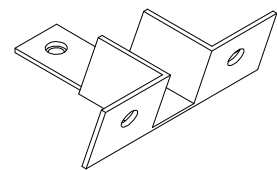
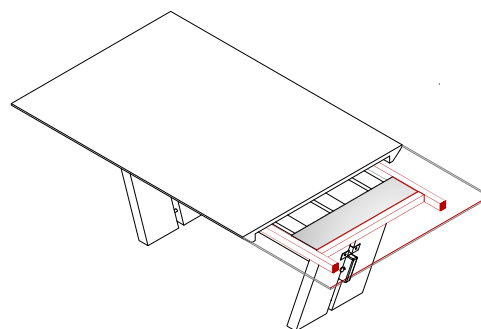


16

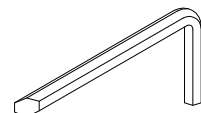
5



6



2



1