

T7C

LED Backlit Troffer

Product Description

The T7C is a spec-grade Troffer that will exceed quality and performance for most commercial spaces. The T7C LED Troffer features a pre-mounted driver and a maintenance-free, fully sealed chamber with a seamless aluminum frame to keep bugs and dust out. The fixture utilizes a precision-engineered, textured diffuser to deliver maximum lumen output and optimal uniformity without revealing hot spots or shadowing. Available in 3500K, 4000K, and 5000K correlated color temperatures (CCT). Now with DLC 5.1 Premium certification, ensuring top of the line quality and performance. The T7C is the perfect lighting solution for offices, hospitals, and other commercial spaces.

Construction

- Extruded aluminum frame with powder coat finish
- Durable stamped housing
- High efficiency, maintenance-free LED chamber
- Smooth formed sides for safe handling

Optical System

- Internal bat-wing distribution lenses
- High reflectivity internal coating
- Precision engineered polystyrene diffuser
- No visible diodes, hot-spots, or shadows providing high uniformity, and reduced glare
- 80 CRI for good color definition in public places

Electrical

- Input voltage of 120-277VAC
- Full-range dimming via 1-10VDC controls
- Power factor > 0.9
- THD < 20%
- Luminaire surge protection level designed to withstand up to 2.5kV ring wave per ANSI C82.77-5-2017 requirements for Indoor Hard-wired and Indoor Portable Luminaires
- Operating temperature range: -4°F to 104°F (-20°C to 40°C)

Controls

- NLC (Network Lighting Controls) option available
- Bluetooth Low Energy (BLE) mesh network providing Luminaire Level Lighting Control
- Luminaire integrated BLE PIR/Daylight sensor (N1) available
- Configurable with the NICOR NLC app available on iOS and Android devices
- Provides full dimming control with occupancy and daylight harvesting functions

Mounting and installation

- Single cover plate with access to both line and low voltage connections
- Emergency battery backup available
- Integral grid tie clips with wire holes provided for seismic requirements
- Surface mount installation with an optional adapter
- Drywall installation with an optional adaptor
- For installations where power surge may be possible, NICOR recommends installing additional surge protection at the fixture or electrical distribution panel

Listings

- cULus 1598 Listed for damp locations
- Certified for direct contact with insulation (IC)
- DLC 5.1 Premium on NLC models
- RoHS Compliant
- Meets FCC Part 15, Subpart B, Class A standards for conducted and radiated emissions
- TM-21 Reported L70(9k) life >54,000 hours
- LM-79, LM-80 testing performed in accordance with IESNA standards

Warranty

- 5-year limited system warranty standard
- Warranty does not cover product failure due to an overvoltage event (power surge.)

Project

Catalog

Type

Date



T7C
1x4, 2x2, 2x4
LED Backlit Troffer



Ordering

Ordering Information

Example: T7C22HU40

Series	Size	Voltage	CCT's	Controls	EM (Optional)
T7C	14 (1 x 4)	HU (120-277V)	35 (3500 K)	Blank (none)	E1 (EMB045)
	22 (2 x 2)		40 (4000 K)	N1 (NLC Controls)	E2 (EMB080)
	24 (2 x 4)		50 (5000 K)		

Specifications and dimensions subject to change without notice.

Accessories

Surface Mount Kit - 1x4	TPE10SK14
Surface Mount Kit for use with E1/E2 - 1x4	SK14M10WH
Flange Kit - 1x4	TPE10FK14
Surface Mount Kit - 2x2	TPE10SK22
Surface Mount Kit for use with E1/E2 - 2x2	SK22M10WH
Flange Kit - 2x2	TPE10FK22
Surface Mount Kit - 2x4	TPE10SK24
Surface Mount Kit for use with E1/E2 - 2x4	SK24M10WH
Flange Kit - 2x4	TPE10FK24

Recommended Dimmers*

Lutron NTSTV
Lutron DVSTV
Cooper SF10P
Legrand RH4FBL3PW

**Not a complete list.
Check compatibility before installation.*

NLC Controls

See www.nicorlighting/network-lighting-controls for more information and NLC Component Data Sheets



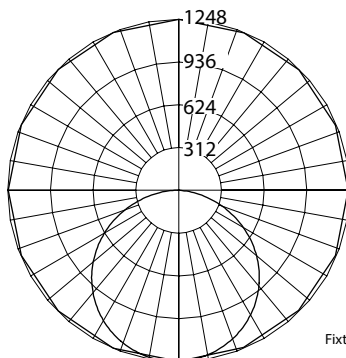
Performance Data

Model	Performance Data				EM Pack Performance Data	
	Nominal CCT	Lumens	Watts	Efficiency	E1 Lumens	E2 Lumens
T7C14	3500	3558		129.9	584	1039
	4000	3590	27.4	131.0	590	1048
	5000	3618		132.1	594	1056
T7C22	3500	4494		129.9	584	1039
	4000	4525	34.6	130.8	589	1046
	5000	4557		131.7	593	1054
T7C24	3500	5638		122.0	549	976
	4000	5689	46.2	123.1	554	985
	5000	5734		124.1	558	993

Photometric Data

T7C14 3500K

Input Voltage (VAC)	120-277
System Level Power (W)	27.4
Delivered Lumens (Lm)	3558
System Efficacy (Lm/W)	129.9
Correlated Color Temp (K)	3485
Color Rendering Index (CRI)	84
Beam Angle (0)	112°
Beam Angle (90)	113°
Spacing Criteria (0)	1.28
Spacing Criteria (90)	1.28



Cone of Light Tabulation

Mounted height (Feet)	Footcandles Beam Center	Diameter (Feet)
8	19.2	23.6
10	12.3	29.5
12	8.5	35.4
14	6.3	41.3

CCT Data Multiplier

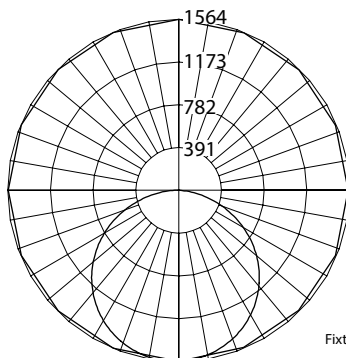
4000K	1.009
5000K	1.017

Fixture tested per LM-79-08. Photometric data is of the performance of a representative fixture. Results may vary in the field.

Photometric Data

T7C22 3500K

Input Voltage (VAC)	120-277
System Level Power (W)	34.6
Delivered Lumens (Lm)	4494
System Efficacy (Lm/W)	129.9
Correlated Color Temp (K)	3512
Color Rendering Index (CRI)	83
Beam Angle (0)	112.2
Beam Angle (90)	113.3
Spacing Criteria (0)	1.26
Spacing Criteria (90)	1.26



Cone of Light Tabulation

Mounted height (Feet)	Footcandles Beam Center	Diameter (Feet)
8	24.4	23.8
10	15.6	29.8
12	10.8	35.7
14	7.9	41.7

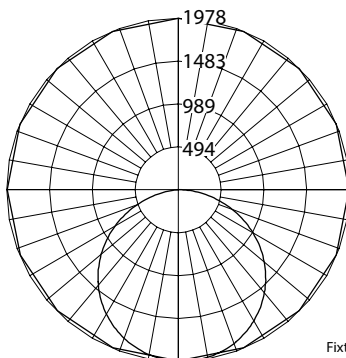
CCT Data Multiplier

4000K	1.007
5000K	1.014

Fixture tested per LM-79-08. Photometric data is of the performance of a representative fixture. Results may vary in the field.

T7C24 3500K

Input Voltage (VAC)	120-277
System Level Power (W)	46.2
Delivered Lumens (Lm)	5638
System Efficacy (Lm/W)	122.0
Correlated Color Temp (K)	3495
Color Rendering Index (CRI)	83
Beam Angle (0)	112.4
Beam Angle (90)	112.7
Spacing Criteria (0)	1.28
Spacing Criteria (90)	1.26



Cone of Light Tabulation

Mounted height (Feet)	Footcandles Beam Center	Diameter (Feet)
8	30.6	23.9
10	19.6	29.9
12	13.6	35.9
14	10.0	41.8

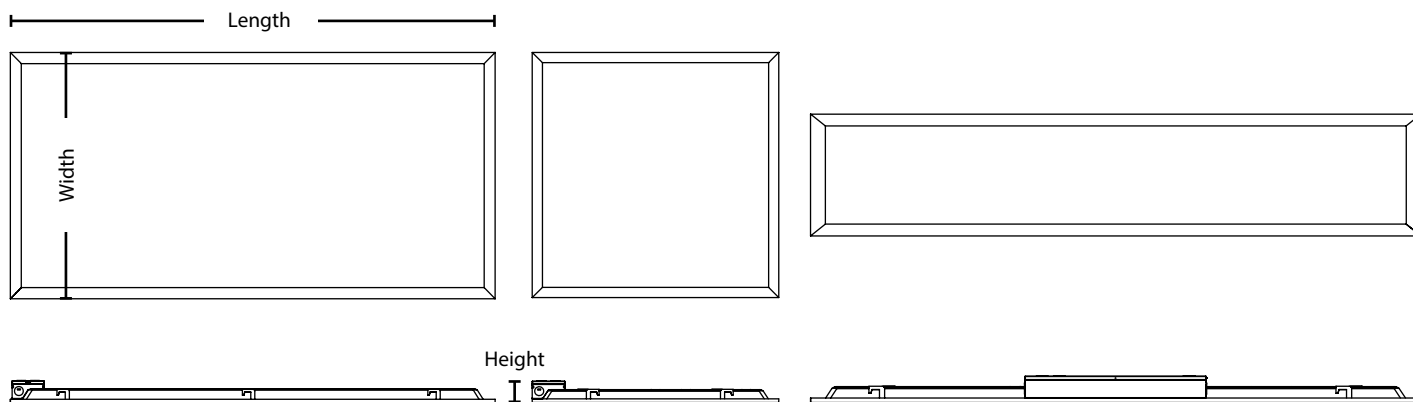
CCT Data Multiplier

4000K	1.009
5000K	1.017

Fixture tested per LM-79-08. Photometric data is of the performance of a representative fixture. Results may vary in the field.

Dimensions

	T7C14	T7C22	T7C24
Length	47.75" (1213mm)	23.74" (603mm)	47.75" (1213mm)
Width	11.93" (303mm)	23.74" (603mm)	23.74" (603)
Height	2.23" (56mm)		



This device complies with part 15 of the FCC Rules. Operation is subject to the following two conditions: (1) This device may not cause harmful interference, and (2) this device must accept any interference received, including interference that may cause undesired operation.

NOTE: This equipment has been tested and found to comply with the limits for a Class A digital device, pursuant to part 15 of the FCC Rules. These limits are designed to provide reasonable protection against harmful interference when the equipment is operated in a commercial environment. This equipment generates, uses, and can radiate radio frequency energy and, if not installed and used in accordance with the instruction manual, may cause harmful interference to radio communications. Operation of this equipment in a residential area is likely to cause harmful interference in which case the user will be required to correct the interference at his own expense.