

NOTES:
 1. FINISH: MAPLE
 2. HOLDS (1) 1.5-BUSHEL HAMPER

CUSTOMER DRAWING

This drawing is the property of Rev-A-Shelf (RAS) and is disclosed in confidence to the extent its subject matter is original to RAS. Any vendor receiving this drawing from RAS shall hold and use this drawing for the sole benefit of RAS and shall not disclose it to, or use or reproduce it for any third party, or perform any act adverse to the interest of RAS with respect to this drawing without the express written permission of RAS. Vendors shall not revise any physical, dimensional or performance characteristic unless authorized by Rev-A-Shelf Engineering.

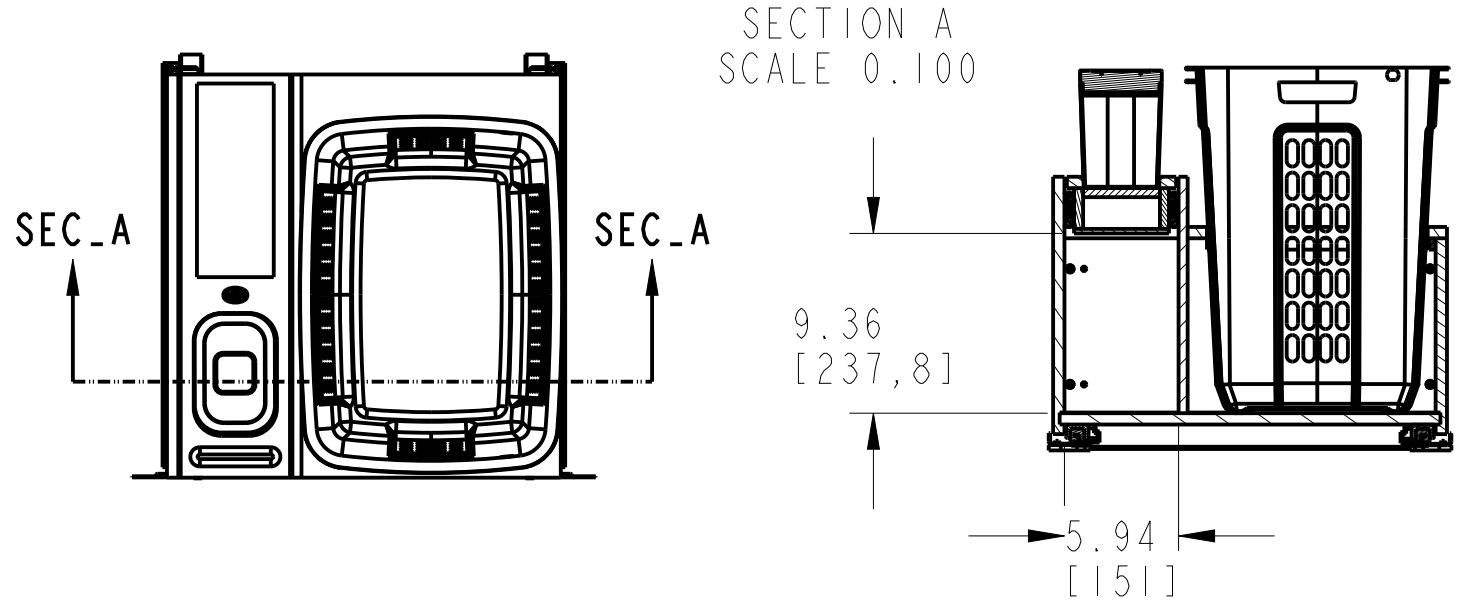
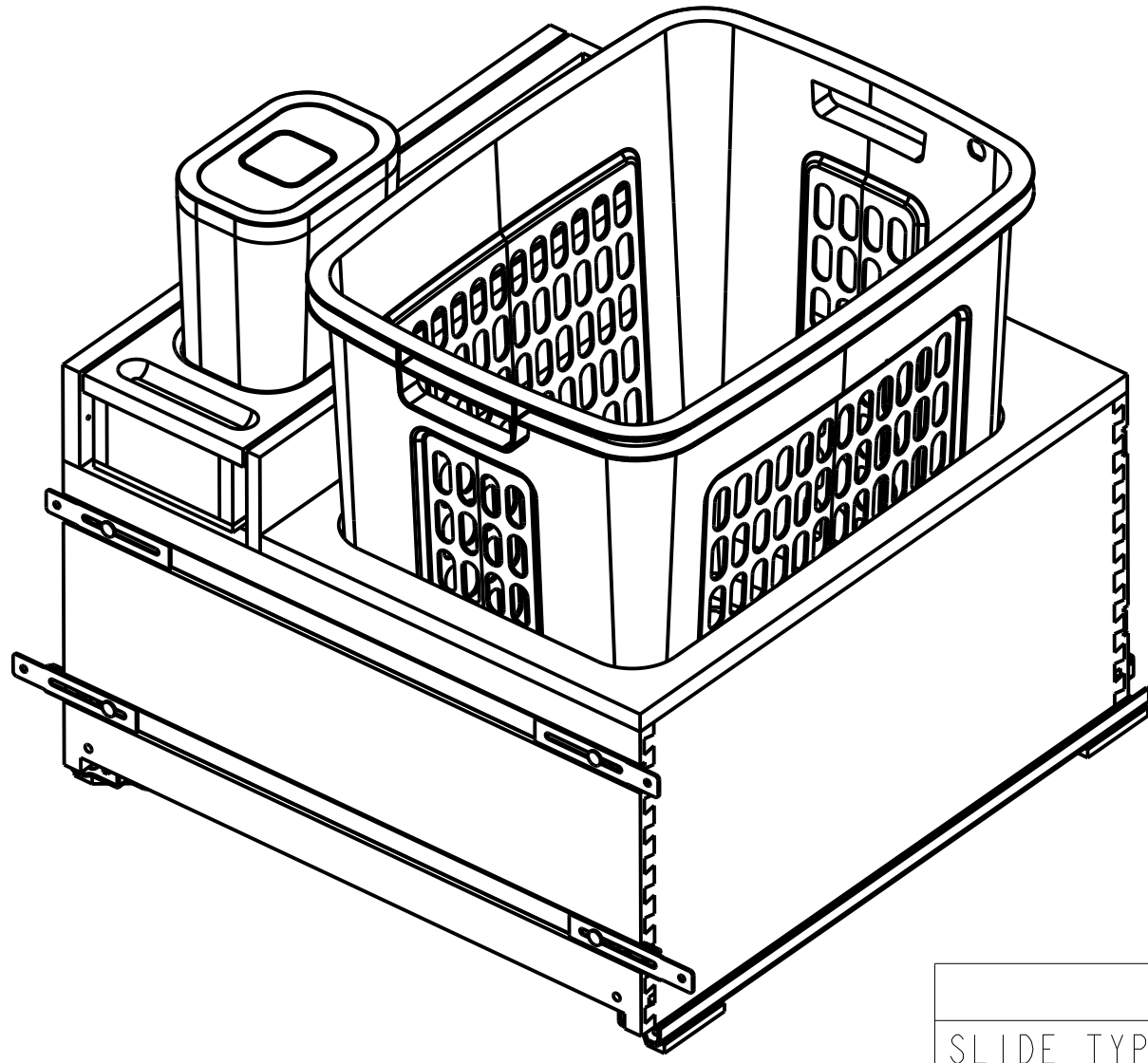
REV.	DATE	BY	DESCRIPTION OF CHANGE

INCH [MM]	AMERICAN PROJECTION	BY	DATE	REV-A-SHELF, INC.
		DRAWN	JAB 1/30/23	
TOLERANCES				SIZE
MAT. DEC. (WOOD) .XX ±.03 [8mm] (OTHER) .XX ±.02 [5mm] (ALL) .XXX ±.005 [13 mm] FRACTIONS ±1/32 [8 mm]				B
ANGLES ±1/2°				WOOD HAMPER WITH OXO AND STORAGE FHB24
MATERIAL				DRAWING NO. 4WHOX-24FHDMSC-1
FINISH				SCALE 0.125
PART NO. 4WHOX-24FHDMSC-1				SHEET OF 1 2

PART DIMENSIONS		
	MIN	MAX
WIDTH	20.97	
DEPTH	22.04	
HEIGHT	19.94	
WEIGHT		
DIAMETER		
RADIUS		
CONTAINER CAPACITY	1.5	
CONTAINER UOM	BUSHEL	

MIN CABINET OPENING	
WIDTH	21
DEPTH	22.125
HEIGHT	20.5

PRODUCT MAX WEIGHT RATING



SLIDE SPECIFICATIONS				
SLIDE TYPE	UNDERMOUNT	SLIDE EXTENSION	OVER-TRAVEL	MAX WEIGHT RATING
SLIDE CLOSING	SOFT CLOSE	SLIDE LENGTH	21	
SLIDE MOUNTING	BOTTOM	SLIDE FINISH	ZINC	155 LBS

CUSTOMER DRAWING

This drawing is the property of Rev-A-Shelf (RAS) and is disclosed in confidence to the extent its subject matter is original to RAS. Any vendor receiving this drawing from RAS shall hold and use this drawing for the sole benefit of RAS and shall not disclose it to, or use or reproduce it for any third party, or perform any act adverse to the interest of RAS with respect to this drawing without the express written permission of RAS. Vendors shall not revise any physical, dimensional or performance characteristic unless authorized by Rev-A-Shelf Engineering.

REV.	DATE	BY	DESCRIPTION OF CHANGE

INCH [MM]	AMERICAN PROJECTION	DRAWN	BY	DATE	
		JAB	JAB	1/30/23	
TOLERANCES		MATERIAL	DRAWING NO.		SCALE
MAT. (WOOD)	DEC. .XX ±.03 [.8mm]		4WHOX-24DMSC-1		
(OTHER) .XX ±.02 [.5mm]		FINISH	PART NO.		SHEET OF
(ALL) .XXX ±.005 [.13 mm]			4WHOX-24DMSC-1		
FRACTIONS ±1/32 [.8 mm]		ANGLES ±1/2°			