



Customer Name	Date
Project Name	
Catalog Number	



TELA MINI Mini Track Light

Tela Mini provides first class options for architects and designers who want superior flexibility in an LED accent lighting system. Tela Mini compliments Tela, providing the same high performance and depth of product offering in a compact package. Available in a wide range of lumen packages, CCT and beam distributions.

CONSTRUCTION

Housing:	Die-cast and precision machined head, 2-piece precision, rigid plastic driver compartment, nylon lock washer firmly sets aiming angle
Lens:	Silicone high-efficiency TIR lens
Paint:	Textured powder coat finish
Weight:	Vertical Driver Fixture @ 1.08 lbs, Horizontal Driver Fixture @ 1.25 lbs
CRI:	Precision designed reflectors and diffusers for optimal efficiency, custom designed spot optical system optimizes CBCP

OPTICAL SYSTEM

Lumens:	950-1375
Distribution	Spot 16°, Narrow Flood 20°, Flood 25°, Wide Flood 35°
Efficacy:	Up to 93 LPW
Wattage:	9.5-18.5
CCT:	2700K/3000K/3500K/4000K
CRI:	80 and 90 CRI options

CONTROLS

Dimming:	Triac & ELV (Forward & Reverse Phase) dimming standard
-----------------	--

ELECTRICAL

Input Voltage:	120V
Input Frequency:	50/60Hz
Standard Dimming Control:	Triac & ELV (Forward & Reverse Phase) dimming standard
Power Factor (PF):	>0.9*
Total Harmonic Distortion (THD):	<20%*

*PF and THD may vary with options

LUMEN MAINTENANCE

LXX(10K) @ HOURS	50,000 HR
	L70

MOUNTING

- Track adapters easily twist into track systems for quick installation.
- Compatible with several brands of track systems.

DESIGN LIFE & WARRANTY

- **Current's Limited 5-year Warranty:**
Please refer to document [IND599](#) for more information.



Customer Name	Date
Project Name	
Catalog Number	

Ordering Information

L **TM** **A** **1** **P** **Q**

FAMILY	PRODUCT FAMILY	FIXTURE TYPE	GENERATION	VOLTAGE	NOMINAL LUMENS	DISTRIBUTION	CRI	CCT	DIMMING	CONTROLS	MOUNTING	FINISH	DIFFUSER	OPTIONS
L = Lumination Track Mini	TM = Track Light Mini	HD = Horizontal Driver Box VD = Vertical Driver Box	A = 1 st Generation	1 = 120V	09 = 950 Lumens 11 = 1150 Lumens 13 = 1375 Lumens	SP = Spot Flood FL = Flood WF = Wide Flood NF = Narrow Flood	8 = 80 CRI 9 = 90 CRI	27 = 2700 30 = 3000 35 = 3500 40 = 4000	P = Phase Dimming	Q = none	G1 = GES Global Ecosystem 18&2 circuits, compatible with Halo track J1 = Juno 1 & 2 circuit (compatible with Contech) L2 = Lightolier Lytespan 18&2 circuits	WHTE = White BLCK = Black SLVR = Silver	DXX = None D03 = 3.5 Diffuser D05 = 5 Diffuser D07 = 7.5 Diffuser D10 = 10 Diffuser D20 = 20 Diffuser DL6 = 60x10 Diffuser DL3 = 30x3 Diffuser	(blank) = None HX = Hexcel SN = Snoot Hexcel

STANDARD LED CONVERSION TABLE

Lumen and CBCP output varies based on Wattage, CCT and CRI. Table below is based on 18.5W, 3000K, 80 CRI fixture. To estimate lumen and CBCP output of other combinations, multiply photometric data by factors below.

LUMEN WATTAGE	827	830	835	840	927	930	935	940
10.2W	0.65	0.69	0.71	0.72	0.55	0.57	0.59	0.60
13.4W	0.79	0.84	0.86	0.88	0.67	0.70	0.71	0.73
18.5W	0.95	1.00	1.03	1.05	0.80	0.83	0.85	0.87

EFFICACY CHART

LUMENS (LM)	WATTAGE (W)	LPW
950	10.20	93
1150	13.40	86
1375	18.50	74

ACCESSORIES: LUMINATION® LTM SERIES

MATERIAL	DESCRIPTION CODE	PRODUCT DESCRIPTIONS
93026378	LTMDFO35	LTM 3.5° Diffuser
93026529	LTMDFO5	LTM 5° Diffuser
93026530	LTMDFO75	LTM 7.5° Diffuser
93026901	LTMDFO10	LTM 10° Diffuser
93026902	LTMDFO20	LTM 20° Diffuser
93026903	LTMDFO30	LTM 30° Diffuser
93026904	LTMDFO6010	LTM 60x10° Linear Spreader
93026905	LTMDFO303	LTM 30x3° Linear Spreader
93026697	LTMSNWHITE	LTM White Snoot
93026906	LTMSNBLCK	LTM Black Snoot
95019410	LTMSNSLVR	LTM Silver Snoot
93026696	LTMHX	LTM Hexcel Louver

TELA MINI

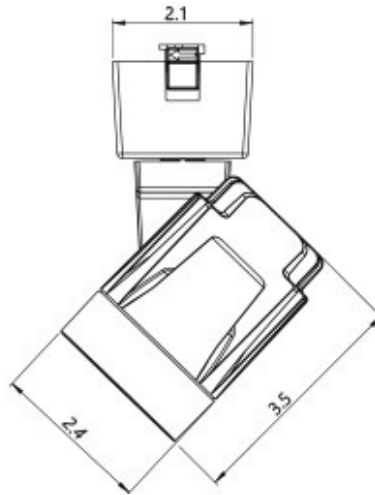
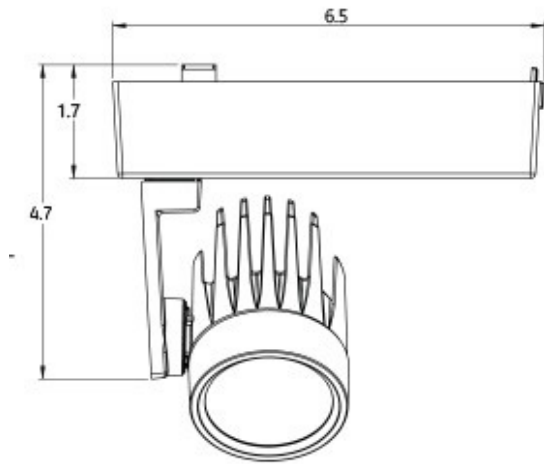
Mini Track Light



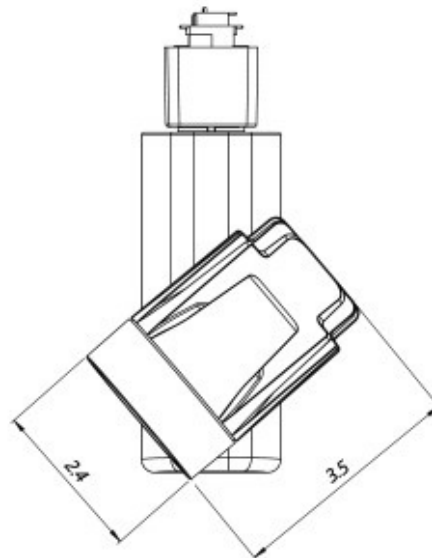
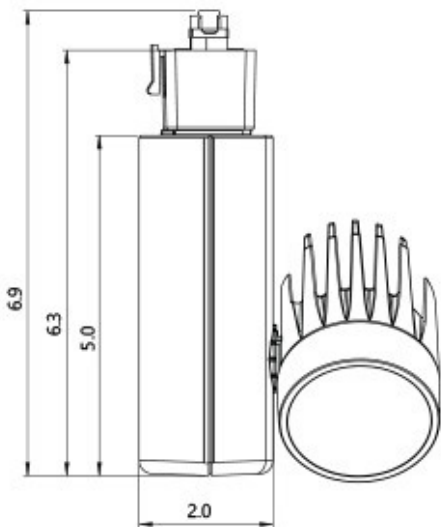
Customer Name	Date
Project Name	
Catalog Number	

Dimensions

HORIZONTAL DRIVER MOUNT



VERTICAL DRIVER MOUNT





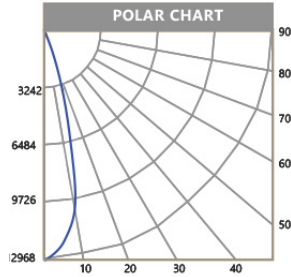
Customer Name	Date
Project Name	
Catalog Number	

Photometric Data

LTM SERIES - TRACK MINI LED TRACK LIGHT

18.5 WATT
1375 LUMEN

Spot Distribution
16° Beam

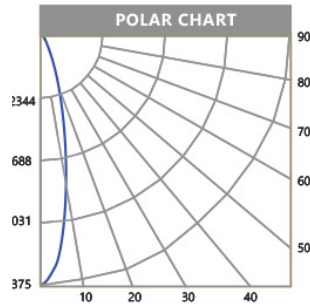


ANGLE	CANDELA
0	12753
5	10135
15	1103
25	106
35	65
45	27
55	16

HEIGHT	FC	DIA (FT)
6	354	1.7
8	199	2.3
10	128	2.9
12	89	3.5
14	65	4.1
16	50	4.6

18.5 WATT
1375 LUMEN

Narrow Flood Distribution
20° Beam

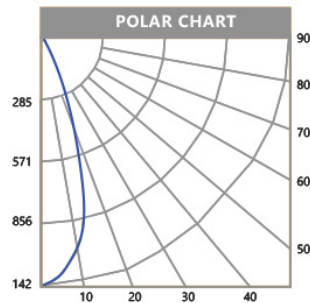


ANGLE	CANDELA
0	9289.5
5	7338.4
15	1539.4
25	195.7
35	80
45	40.4
55	22.2

HEIGHT	FC	DIA (FT)
6	258	2.0
8	145	2.7
10	93	3.4
12	65	4.0
14	47	4.7
16	36	5.4

18.5 Watt
1375 Lumen

Flood Distribution
25° Beam

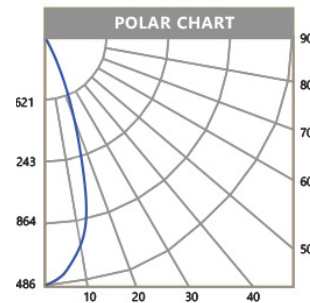


ANGLE	CANDELA
0	5097
5	4831
15	2386
25	457
35	141
45	62
55	31

HEIGHT	FC	DIA (FT)
6	142	1.7
8	80	2.3
10	51	2.9
12	35	3.5
14	26	4.1
16	20	4.6

18.5 Watt
1375 Lumen

Wide Flood Distribution
35° Beam



ANGLE	CANDELA
0	2456
5	2397
15	1719
25	618
35	170
45	58
55	28

HEIGHT	FC	DIA (FT)
6	68	3.9
8	38	5.3
10	25	6.6
12	17	7.9
14	13	9.2
16	10	10.5

For Product or Technical Questions:

E: lightingproinfo@gecurrent.com
T: +1 888 694 3533, OPTION 2