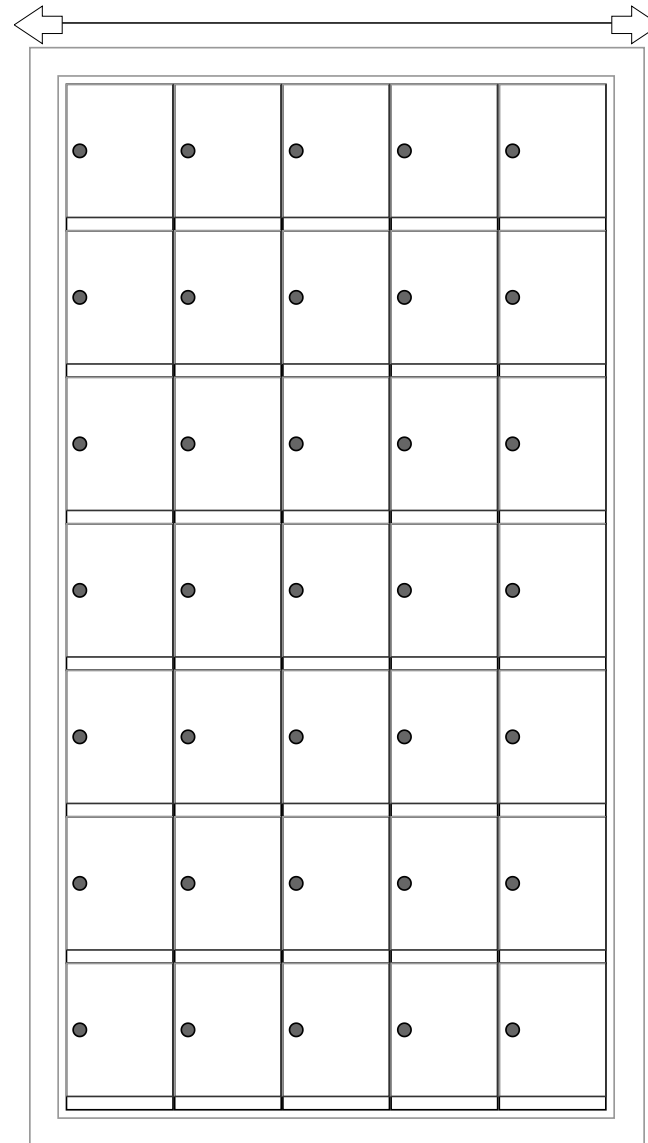


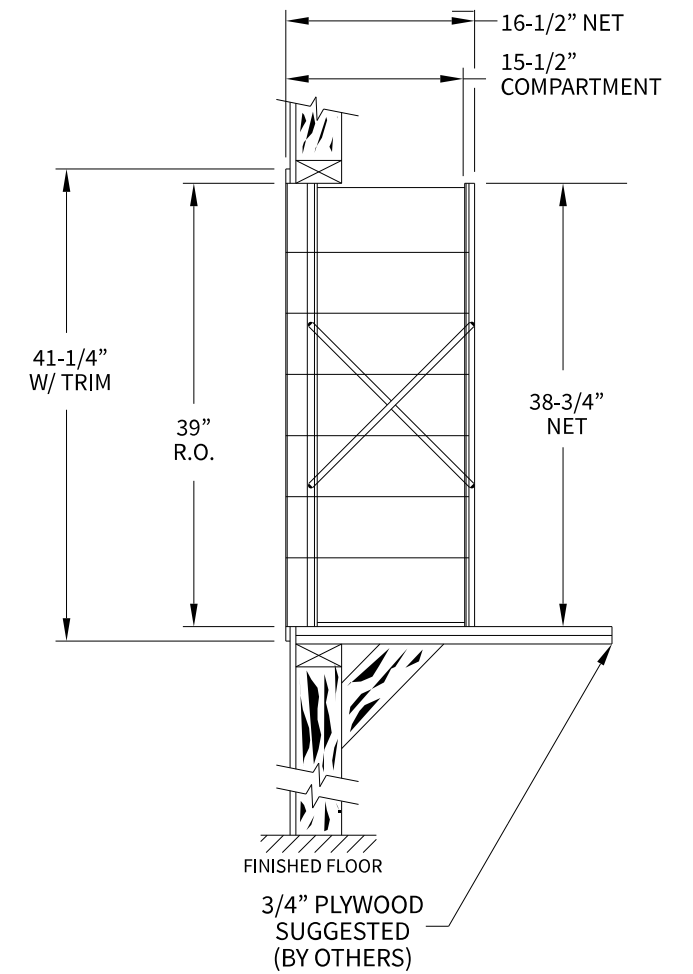
**170075 Dimensions**

Overall Width w/ Trim: 24-3/8"  
(Rough Opening: 22-1/8")



**170075**

**Side View**



**Configuration Details:**

- 1. **Product Type:** 1700 Horizontal
- 2. **Installation:** Rear-load, Recessed Mount
- 3. **Finish:** Anodized Aluminum
- 4. **Locks:** Standard Cam Lock, 2 keys
- 5. **Door Id:** tbd
- 6. **Rear Cover:** tbd

Matching standard snap-on trim included

**Models Used:**

(1) 170075

**DO NOT SCALE OFF DRAWING**

**Door Sizes Used:**

(35) 1700 1x1 Compartment

**ELEVATION:** 170075 | **MAILBOXES:** 35 |

**PROJECT NAME:** 1700 Series Mailbox | **DRAWN BY:** FLORENCE

**AF FLORENCE**  
manufacturing company

5935 Corporate Drive • Manhattan, KS 66503  
www.florencemailboxes.com • 800.275.1747

A GIBRALTAR INDUSTRIES COMPANY

**DATE:** 01-15-2016

**P.O. NO:**

**SCALE:** NONE

**QUOTE NO:**

**DRAWING NO.** WEB-1932

**SHEET 1 OF 1**