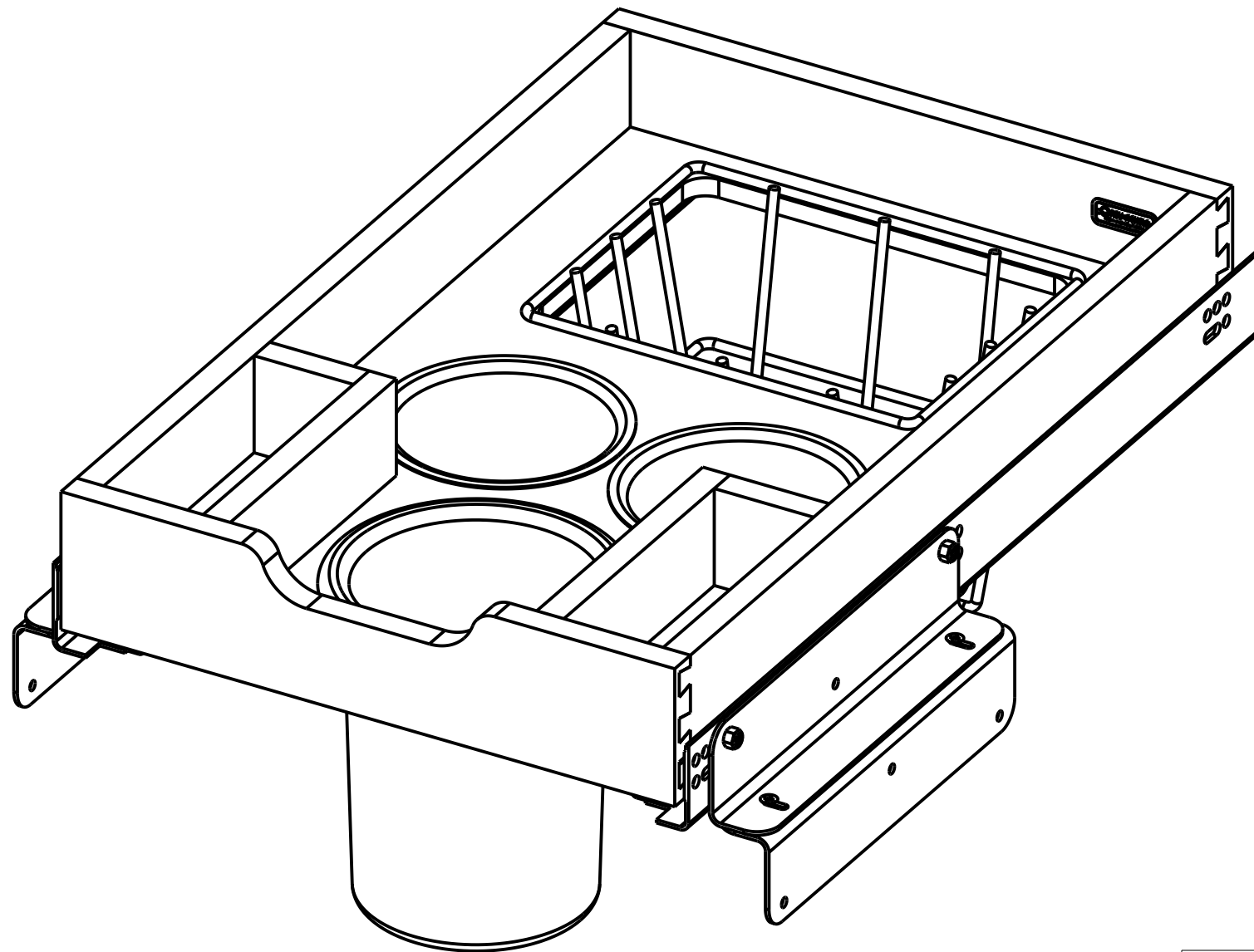


CUSTOMER DRAWING

This drawing is the property of Rev-A-Shelf (RAS) and is disclosed in confidence to the extent its subject matter is original to RAS. Any vendor receiving this drawing from RAS shall hold and use this drawing for the sole benefit of RAS and shall not disclose it to, or use or reproduce it for any third party, or perform any act adverse to the interest of RAS with respect to this drawing without the express written permission of RAS. Vendors shall not revise any physical, dimensional or performance characteristic unless authorized by Rev-A-Shelf Engineering.

REV.	DATE	BY	DESCRIPTION OF CHANGE

INCH [MM]	AMERICAN PROJECTION	BY	DATE		
		JES	6/17/22		
TOLERANCES		MATERIAL	DRAWING NO.		
MAT. DEC. (WOOD) .XX ±.03 [.8mm] (OTHER) .XX ±.02 [.5mm] (ALL) .XXX ±.005 [.13 mm] FRACTIONS ±1/32 [.8 mm]		FINISH	4WDUT-18SC-SM-1_CUST		
ANGLES ±1/2°		SCALE		SHEET OF	
		0.250		1 2	
		PART NO.		4WDUT-18SC-SM-1_CUST	



SCALE 0.333

PART DIMENSIONS		
	MIN	MAX
WIDTH	16.41 [416.9]	17.61 [447.3]
DEPTH	21.65 [550]	21.65 [550]
HEIGHT	8.86 [225]	8.86 [225]

MIN CABINET OPENING				
	FACE FRAME	FRAMELESS	INSET FACE FRAME	INSET FRAMELESS
WIDTH	13.34 [338.8]	13.34 [338.8]	13.34 [338.8]	13.34 [338.8]
DEPTH	21.75 [552.5]	21.75 [552.5]	21.75 [552.5]	21.75 [552.5]
HEIGHT	9 [228.6]	9 [228.6]	9 [228.6]	9 [228.6]

SLIDE SPECIFICATIONS				
SLIDE MANUFACTURER	BLUM			
SLIDE PART NUMBER	563H5330B	RELEASE PART NUMBER	T51-1801	
SLIDE TYPE	UNDERMOUNT	SLIDE EXTENSION	FULL	MAX WEIGHT RATING
SLIDE CLOSING	SOFT	SLIDE LENGTH	21.00 [533]	
SLIDE MOUNTING	SIDE	SLIDE FINISH	ZINC	90 LB

CUSTOMER DRAWING

This drawing is the property of Rev-A-Shelf (RAS) and is disclosed in confidence to the extent its subject matter is original to RAS. Any vendor receiving this drawing from RAS shall hold and use this drawing for the sole benefit of RAS and shall not disclose it to, or use or reproduce it for any third party, or perform any act adverse to the interest of RAS with respect to this drawing without the express written permission of RAS. Vendors shall not revise any physical, dimensional or performance characteristic unless authorized by Rev-A-Shelf Engineering.

REV.	DATE	BY	DESCRIPTION OF CHANGE

INCH [MM]	AMERICAN PROJECTION	DRAWN	BY	DATE	
			JES	6/17/22	
					SIZE B
					18" PILASTER BM SHELF
					DRAWING NO.
					4WDUT-18SC-SM-1_CUST
					SCALE
					0.143
					PART NO.
					4WDUT-18SC-SM-1_CUST
					SHEET
					2 OF 2

TOLERANCES  
 MAT. DEC.  
 (WOOD) .XX ±.03 [.8mm]  
 (OTHER) .XX ±.02 [.5mm]  
 (ALL) .XXX ±.005 [.13 mm]  
 FRACTIONS ±1/32 [.8 mm]

ANGLES  
 ±1/2°

MATERIAL

FINISH