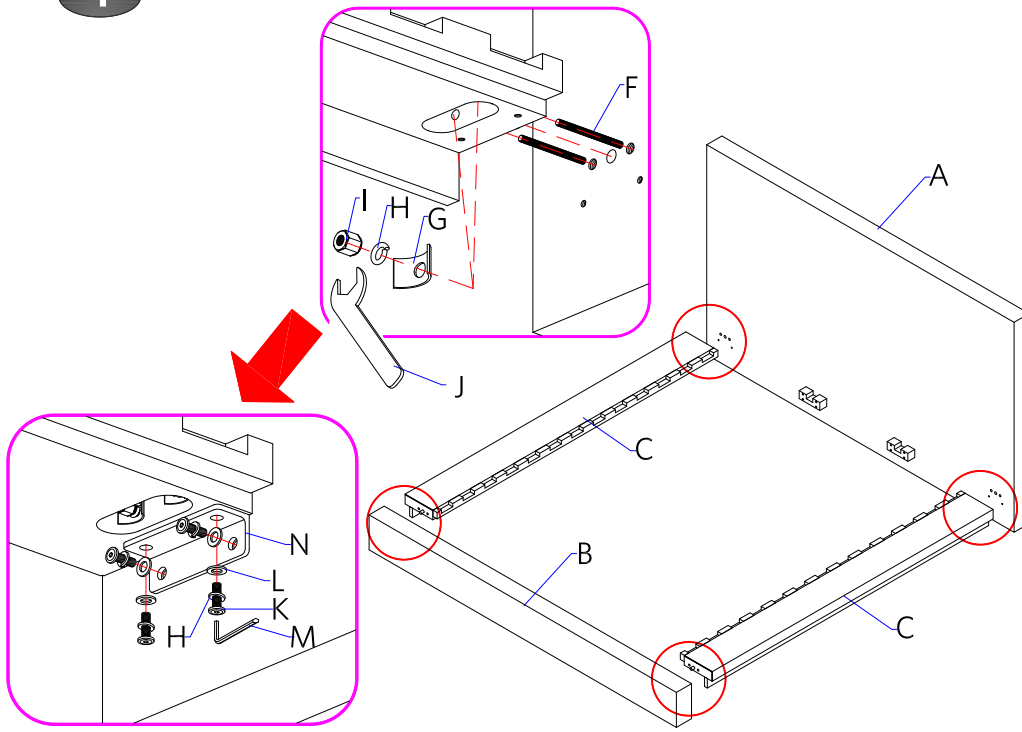
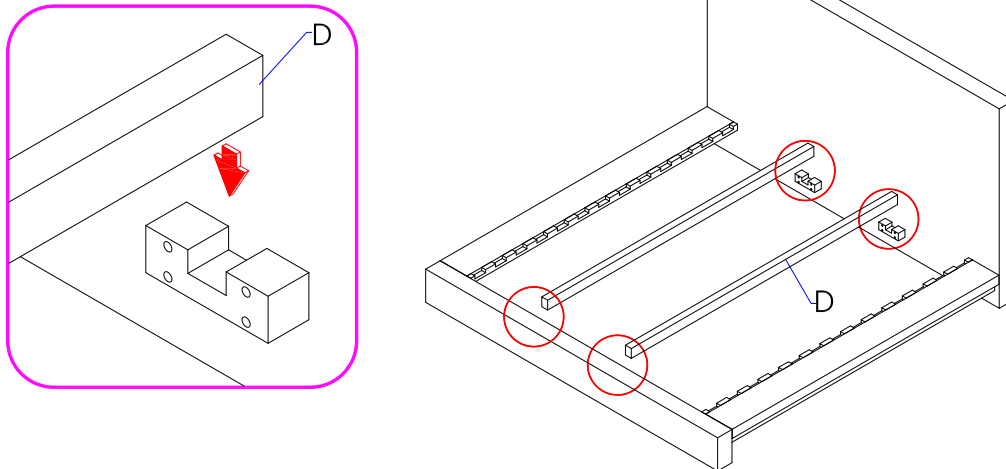


# SANDS KING BED - PLATFORM

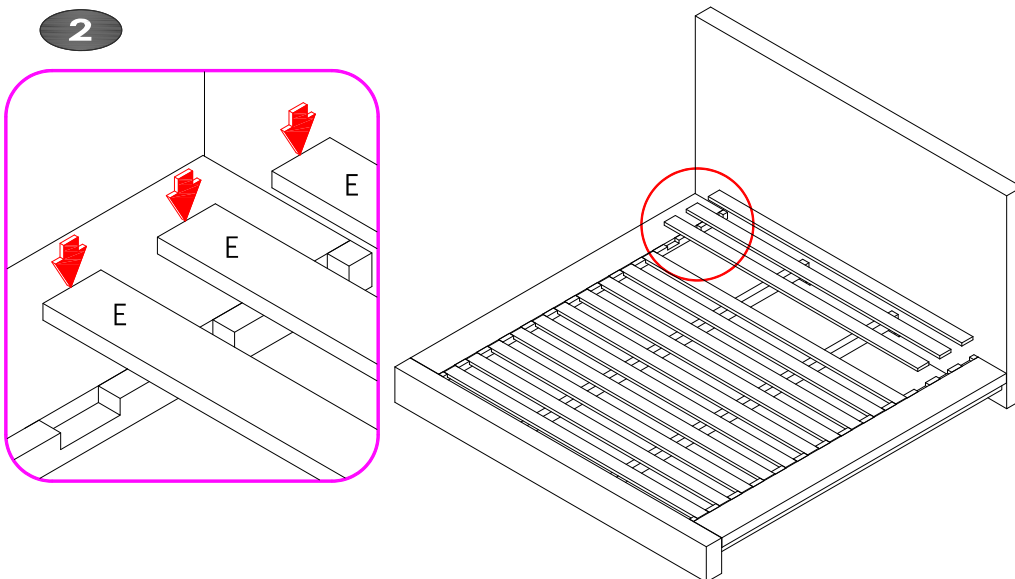
1



2



2



A		1
B		1
C		2
D		2
E		13
F		8
G		8
H		24
I		8
J		1
K		16
L		16
M		1
N		4