

NOTES:  
 1. FINISH: MAPLE  
 2. HOLDS (2) 35 QT WASTE CONTAINERS

CUSTOMER DRAWING

This drawing is the property of Rev-A-Shelf (RAS) and is disclosed in confidence to the extent its subject matter is original to RAS. Any vendor receiving this drawing from RAS shall hold and use this drawing for the sole benefit of RAS and shall not disclose it to, or use or reproduce it for any third party, or perform any act adverse to the interest of RAS with respect to this drawing without the express written permission of RAS. Vendors shall not revise any physical, dimensional or performance characteristic unless authorized by Rev-A-Shelf Engineering.

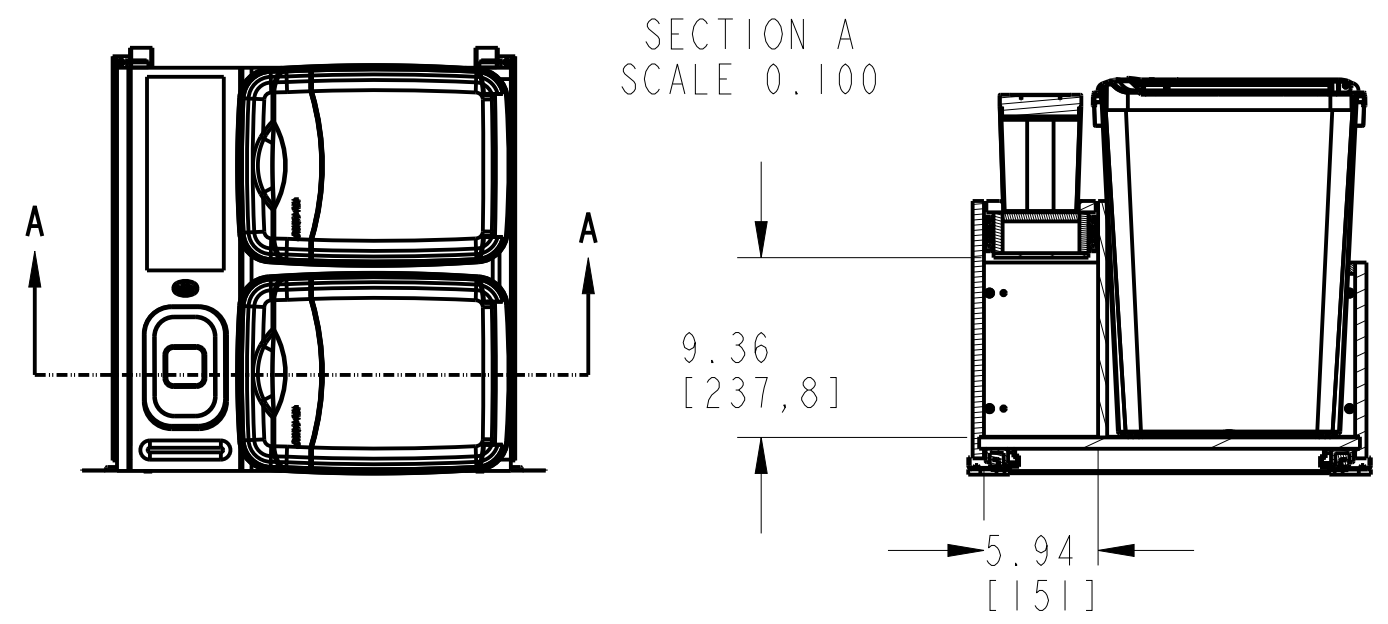
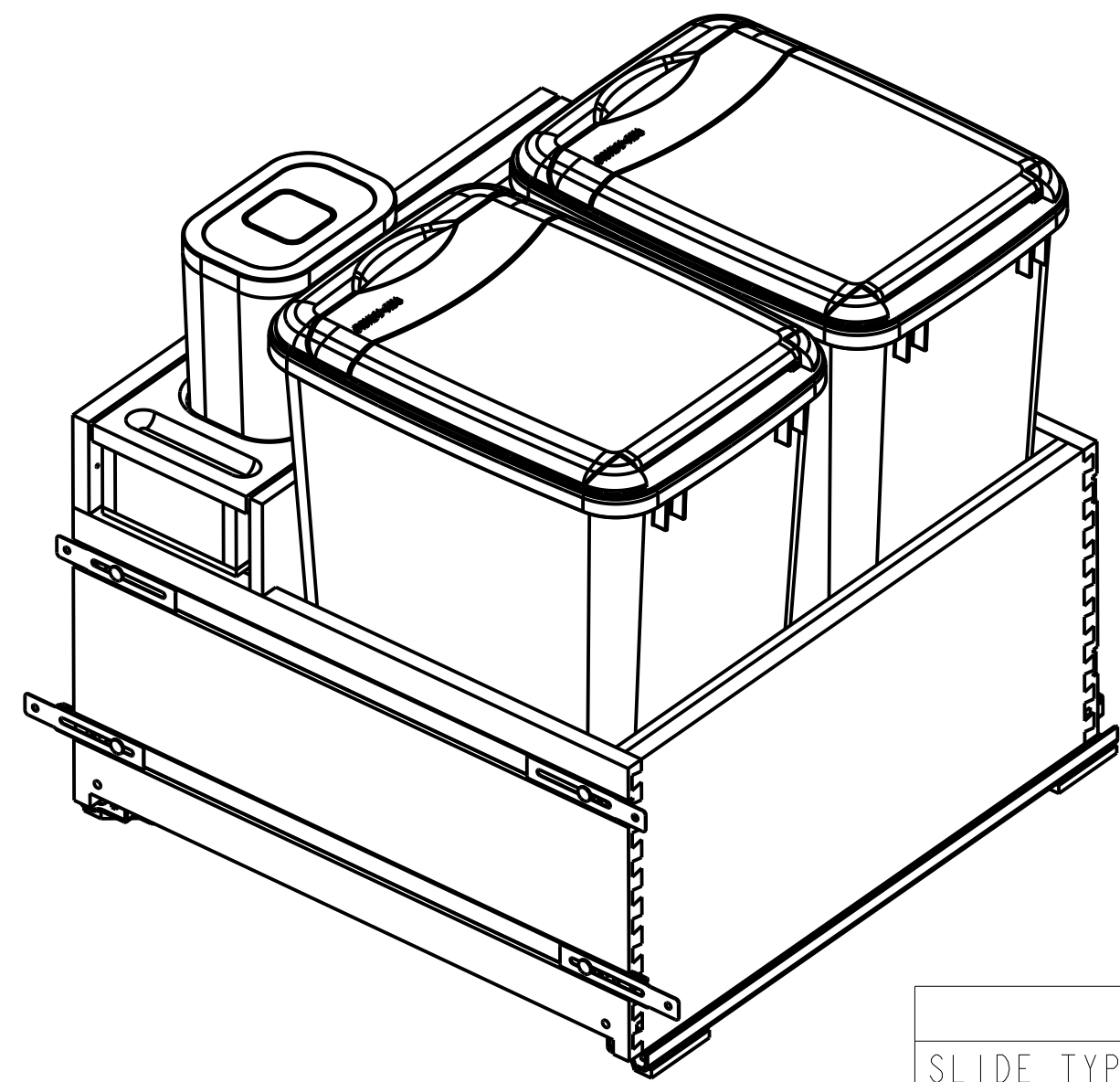
REV.	DATE	BY	DESCRIPTION OF CHANGE

INCH [MM]	AMERICAN PROJECTION	DRAWN	BY	DATE	REV-A-SHELF, INC.
			JAB	1/30/23	
TOLERANCES					SIZE
MAT. DEC. (WOOD) .XX ±.03 [.8mm] (OTHER) .XX ±.02 [.5mm] (ALL) .XXX ±.005 [.13 mm] FRACTIONS ±1/32 [.8 mm]					B
ANGLES ±1/2°					DOUBLE 35 QT WITH OXO AND STORAGE B24
MATERIAL					DRAWING NO.
FINISH					4WCOX-24DMSC-1
SCALE					0.125
PART NO.					4WCOX-24DMSC-1
SHEET OF					1 2

PART DIMENSIONS		
	MIN	MAX
WIDTH	20.97	
DEPTH	22.04	
HEIGHT	20.67	
WEIGHT		
DIAMETER		
RADIUS		
CONTAINER CAPACITY	35	
CONTAINER UOM	QUART	

MIN CABINET OPENING	
WIDTH	21
DEPTH	22.125
HEIGHT	21

PRODUCT MAX WEIGHT RATING
---------------------------



SLIDE SPECIFICATIONS				
SLIDE TYPE	UNDERMOUNT	SLIDE EXTENSION	OVER-TRAVEL	MAX WEIGHT RATING
SLIDE CLOSING	SOFT CLOSE	SLIDE LENGTH	21	
SLIDE MOUNTING	BOTTOM	SLIDE FINISH	ZINC	155 LBS

CUSTOMER DRAWING

This drawing is the property of Rev-A-Shelf (RAS) and is disclosed in confidence to the extent its subject matter is original to RAS. Any vendor receiving this drawing from RAS shall hold and use this drawing for the sole benefit of RAS and shall not disclose it to, or use or reproduce it for any third party, or perform any act adverse to the interest of RAS with respect to this drawing without the express written permission of RAS. Vendors shall not revise any physical, dimensional or performance characteristic unless authorized by Rev-A-Shelf Engineering.

REV.	DATE	BY	DESCRIPTION OF CHANGE

INCH [MM]	AMERICAN PROJECTION	DRAWN	BY	DATE	
		JAB	JAB	1/30/23	
TOLERANCES		MATERIAL		DRAWING NO.	SCALE
MAT. DEC. (WOOD) .XX ±.03 [.8mm] (OTHER) .XX ±.02 [.5mm] (ALL) .XXX ±.005 [.13 mm] FRACTIONS ±1/32 [.8 mm]		FINISH		4WCOX-24DMSC-1	0.200
REV.		PART NO.		4WCOX-24DMSC-1	SHEET OF
					2 2