

OBH

Architectural Round Bollard

Product Description

The OBH LED Bollard utilizes advanced LED technology to provide enhanced, even illumination to create the perfect lighting for courtyards and walkways.

Construction

- High-quality, die-cast aluminum housing with integrated heat sink
- Height of 39.4" (1000mm)

Electrical

- Thermally-protected, high-efficiency driver
- Operating temperature rating of -22F° to 104°F (-30°C to 40°C)
- Input voltage of 120-277VAC
- Driver delivers full-range dimming from 0 - 10VDC
- System wattage of 7 Watts

Optical System

- Utilizes advanced LED technology with CCT of 3000K or 4000K and CRI > 80
- 30° beam angle
- Indirect optics deliver 430 lumens with reduced glare

Finish

- Fine-textured, UV-stabilized powder coat finish

Mounting and installation

- Anchor bolts and anchor bolt template included.
- For installations where power surge may be possible, NICOR recommends installing additional surge protection at the electrical distribution panel

Listings

- LM-79, LM-80 testing performed in accordance with IESNA standards
- UL and CUL Listed for wet locations
- IP65 Rated
- Meets FCC Part 15, Subpart B, Class A standards for conducted and radiated emissions

Warranty

- 5-year limited system warranty standard
- Warranty does not cover product failure due to an overvoltage event (power surge)

Quick Look

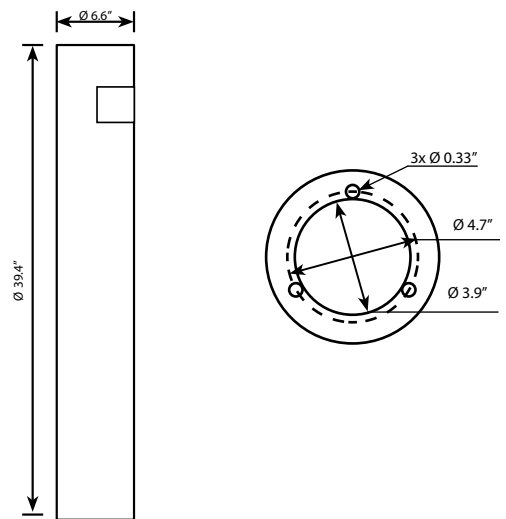
Input Voltage (VAC)	120V/277V
System Level Power (W)	10
Delivered Lumens (Lm)	430
System Efficacy (Lm/W)	61.4
Correlated Color Temp (K)	3000,4000
Color Rendering Index (CRI)	>80
Beam Angle	30°

Project

Catalog

Type

Date



Ordering Information

Example: OBHR7107U30BZ39H

Series	Shape	Diameter	Wattage	Version	Voltage	CCT	Finish	Height	Style
OBH	R (Round)	7 (Inches)	10 (Watts)	7	U(120-277VAC)	30 (3000K)	BZ (Bronze)	39 (Inches)	F (Full)
						40 (4000K)	BK (Black)		H (Half)
							SG (Stone Gray)		
							GA (Grey Aluminum)		