

Lumination® LEM Series

LEM Emergency Lighting



CUSTOMER NAME _____

Project Name _____

Date _____ Type _____

Catalog Number _____

Lumination® LEM LED Emergency Lighting Series is available in a variety of housing styles and finishes, and options for either integral battery back-up or hard-wired. To complete your projects, matching accessories are offered separately.

*CA T20 & New York City code compliant available now;
City of Chicago - coming soon.

ProLine®

CONSTRUCTION

Housing:	Thermoplastic: 5VA flame retardant, hi-impact curved design Steel: 20GA
Color:	Thermoplastic: White or Black Steel: White or Black powder painted
Weight:	Thermoplastic: 1.7-1.8lbs Steel: 6.8lbs (NYC)
Optical Assembly:	LED lamp heads with hi-performance chrome-plated reflector and plastic lens Thermoplastic: Two adjustable SQUARE heads, 1W/head Steel: Two adjustable ROUND heads, 6V 5.3W/head

ELECTRICAL

Input Voltage:	120V-277V
Input Frequency:	60Hz
Input Wattage/ Amperage (no accessories):	Thermoplastic: 1.8W / 0.022A (120V), 1.8W / 0.01A (277V) Steel: 8.4W / 0.08A (120V), 9.4W / 0.04A (277V)
Battery (EM Models):	Thermoplastic: Rechargeable NiCd Battery. 3.6V min 90-minute emergency illumination Steel: Rechargeable lead acid battery. 6V min 120-minute emergency illumination
Self-diagnostic (optional):	Performs monthly, biannual, and annual tests to ensure reliable operation electrical and life safety code compliance. Thermoplastic: 1.6W / 0.02A (120V), 1.6W / 0.01A (277V)
Remote Capacity:	Available for 1 or 2 additional heads Thermoplastic: 2.1W/0.025A (120V), 2.1W / 0.012A (277V) Steel: 8.7W / 0.09A (120V), 10W / 0.05A (277V) W/ Self-diagnostic: 1.9W / 0.05A (120V), 1.9W / 0.01A (277V)

REMOTE HEADS

- Information available in Catalog Logic & Dimensions sections

CODE COMPLIANCE

Meets UL924, NFPA 101 Life Safety Code, NEC, OSHA, Local and State Codes	
Standard:	Thermoplastic
NYC & Chicago:	Steel
California:	Thermoplastic

OPERATING AMBIENT TEMPERATURE

Product ID	Operating Temperature
LEM (Thermoplastic):	0°C (32°F) TO +50°C (95°F)
LEM (Steel):	+20°C (68°F) TO +50°C (95°F)

MOUNTING

- Thermoplastic:**
 - Surface mount via "easy connect" back plate. Fits most standard junction boxes and snaps into place, making internal electrical connections
 - Top and side standard knockouts for conduit applications
 - Suitable for wall or ceiling mount applications
- Steel:**
 - Standard knockouts on the back for wall mount application
 - Side and top knockouts for conduit feed applications

ADDITIONAL NOTES

- Charge rate/power "ON" LED indicator light and push-to-test switch for mandated code compliance testing
- Internal solid-state transfer switch automatically connects the internal battery to LED lamp heads for minimum 90 minute (120 minute for NYC & Chicago / Steel Housing) emergency illumination
- Fully automatic solid-state, two-rate charger initiates battery charging to recharge a discharged battery in 24 hours

DESIGN LIFE & WARRANTY

- Current's Limited 5-year Warranty**
Please refer to IND699 for more information



Lumination® LEM Series

LEM Emergency Lighting

Catalog Logic

CUSTOMER NAME

Project Name _____

Date _____ Type _____

Catalog Number _____

MATERIAL NUMBER	CATALOG LOGIC	MATERIAL DESCRIPTION
THERMOPLASTIC		
93144783	LEMTPWS	LED Emergency Thermoplastic Unit, White Housing, No Self-Diagnostics, No Remote Capacity, Dual 120/277 Voltage
93144815	LEMTPWSRC	LED Emergency Thermoplastic Unit, White Housing, No Self-Diagnostics, Remote Capacity, Dual 120/277 Voltage
93144781	LEMTPWSSD	LED Emergency Thermoplastic Unit, White Housing, Self-Diagnostics, No Remote Capacity, Dual 120/277 Voltage
93144813	LEMTPWSSDRC	LED Emergency Thermoplastic Unit, White Housing, Self-Diagnostics, Remote Capacity, Dual 120/277 Voltage
93144787	LEMTPBS	LED Emergency Thermoplastic Unit, Black Housing, No Self-Diagnostics, No Remote Capacity, Dual 120/277 Voltage
93144818	LEMTPBSRC	LED Emergency Thermoplastic Unit, Black Housing, No Self-Diagnostics, Remote Capacity, Dual 120/277 Voltage
93144785	LEMTPBSSD	LED Emergency Thermoplastic Unit, Black Housing, Self-Diagnostics, No Remote Capacity, Dual 120/277 Voltage
93144816	LEMTPBSSDRC	LED Emergency Thermoplastic Unit, Black Housing, Self-Diagnostics, Remote Capacity, Dual 120/277 Voltage
THERMOPLASTIC - CODE SPECIFIC		
93144782	LEMTPWSCA	LED Emergency Thermoplastic Unit, White Housing, No Self-Diagnostics, No Remote Capacity, Dual 120/277 Voltage, CA T20 Compliant
93144814	LEMTPWSCARC	LED Emergency Thermoplastic Unit, White Housing, No Self-Diagnostics, Remote Capacity, Dual 120/277 Voltage, CA T20 Compliant
93144780	LEMTPWSSDCA	LED Emergency Thermoplastic Unit, White Housing, Self-Diagnostics, No Remote Capacity, Dual 120/277 Voltage, CA T20 Compliant
93144786	LEMTPBSCA	LED Emergency Thermoplastic Unit, Black Housing, No Self-Diagnostics, No Remote Capacity, Dual 120/277 Voltage, CA T20 Compliant
93144817	LEMTPBSCARC	LED Emergency Thermoplastic Unit, Black Housing, No Self-Diagnostics, Remote Capacity, Dual 120/277 Voltage, CA T20 Compliant
93144784	LEMTPBSSDCA	LED Emergency Thermoplastic Unit, Black Housing, Self-Diagnostics, No Remote Capacity, Dual 120/277 Voltage, CA T20 Compliant
STEEL - CODE SPECIFIC		
93144819	LEMSTWNY	LED NYC Approved Steel Emergency Unit, 10 Watts, White Housing
93144820	LEMSTBNY	LED NYC Approved Steel Emergency Unit, 10 Watts, Black Housing
OPTIONAL - REMOTE HEADS		
93144790	LEARHW1	LED Indoor Thermoplastic Remote Adjustable Single Square Head, For Standard Non Self-Diagnostic Fixtures, Multi-Volt (3.6V,6V,9.6V,12V), White , 8 LEDs 1W
93144792	LEARHW1SD	LED Indoor Thermoplastic Remote Adjustable Single Square Head, For Use With Fixtures With Self-Diagnostic Option, Multi-Volt (3.6V,6V,9.6V,12V), White , 8 LEDs 1W
93144794	LEARHW2	LED Indoor Thermoplastic Remote Adjustable Double Square Head, For Standard Non Self-Diagnostic Fixtures, Multi-Volt (3.6V,6V,9.6V,12V), White , 8 LEDs 1W
93144796	LEARHW2SD	LED Indoor Thermoplastic Remote Adjustable Double Square Head, For Use With Fixtures With Self-Diagnostic Option, Multi-Volt (3.6V,6V,9.6V,12V), White , 8 LEDs 1W
93144791	LEARHB1	LED Indoor Thermoplastic Remote Adjustable Single Square Head, For Standard Non Self-Diagnostic Fixtures, Multi-Volt (3.6V,6V,9.6V,12V), Black , 8 LEDs 1W
93144793	LEARHB1SD	LED Indoor Thermoplastic Remote Adjustable Single Square Head, For Use With Fixtures With Self-Diagnostic Option, Multi-Volt (3.6V,6V,9.6V,12V), Black , 8 LEDs 1W
93144795	LEARHB2	LED Indoor Thermoplastic Remote Adjustable Double Head, For Standard Non Self-Diagnostic Fixtures, Multi-Volt (3.6V,6V,9.6V,12V), Black , 8 LEDs 1W
93144797	LEARHB2SD	LED Indoor Thermoplastic Remote Adjustable Double Head, For Use With Fixtures With Self-Diagnostic Option, Multi-Volt (3.6V,6V,9.6V,12V), Black , 8 LEDs 1W

Ordering Notes

- More options available. Contact manufacturer for quote.
- Always refer to installation guides for product compatibility and proper installation process

Lumination® LEM Series

LEM Emergency Lighting

Dimensions & Spacing Guidelines

CUSTOMER NAME

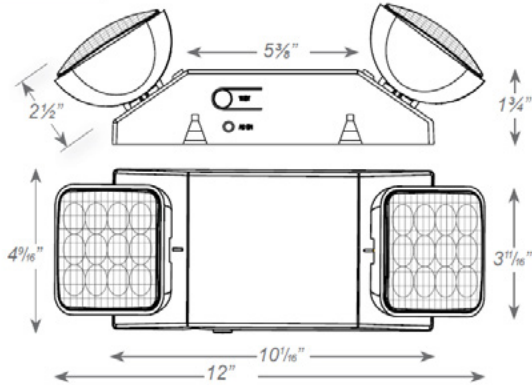
Project Name _____

Date _____ Type _____

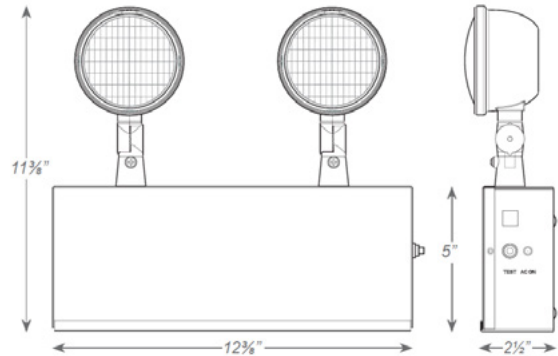
Catalog Number _____

EMERGENCY EXIT FIXTURE

Thermoplastic (Standard & CA CEC T20)

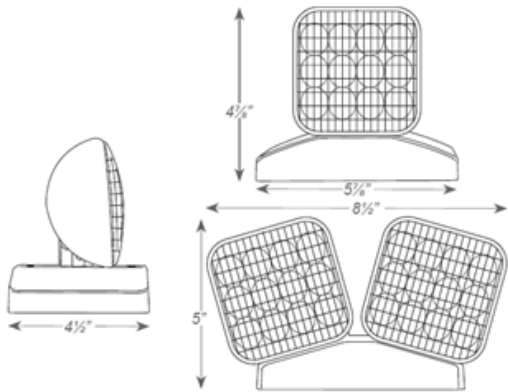


Steel (Chicago & NYC)



REMOTE HEADS

Remote Heads (Thermoplastic Models)



Electrical

- 1W per head
- Powered by low voltage power source with low voltage wiring (not provided)

Mounting

- Universal mounting adapter plate included
- Mounts to: single-gang switch box
- Distance of maximum run is determined by system voltage, wire gauge and total maximum wattage on the run.
- Suitable for wall or ceiling mount.

Other

- Self-diagnostic option available
- Compatible with Thermoplastic or Steel models
- Weight: 1.2-1.6lbs

CENTER-TO-CENTER SPACING GUIDELINES

Thermoplastic Models

- For reference only
- Meets NFPA 101 Requirements for: 10' center-to-center spacing - 3' path of egress 1' from wall - 7 1/2' mounting height

Unit Location Light Source



1	0.2	0.3	0.5	0.4	0.4	0.5	0.6	0.8	1.0	0.8	0.9	0.8	0.4	0.2	0.2
2	0.3	0.5	0.7	0.8	0.9	0.8	0.9	1.0	1.1	1.4	1.1	0.8	0.5	0.3	0.2
3	0.4	0.7	1.0	1.0	1.1	1.1	1.1	1.3	1.4	1.1	0.9	0.9	0.7	0.5	0.2
4	0.5	0.7	0.9	1.1	1.2	1.2	1.0	1.1	1.1	1.0	1.1	0.8	0.6	0.3	0.2
5	0.5	0.7	0.8	0.8	1.0	1.1	0.8	0.8	1.0	0.9	0.6	0.5	0.4	0.3	0.2
6	0.4	0.5	0.7	0.7	0.8	0.8	0.6	0.5	0.6	0.5	0.4	0.4	0.3	0.2	0.2

7 6 5 4 3 2 1 0 1 2 3 4 5 6 7 8

Lumination® LEM Series

LEM Emergency Lighting

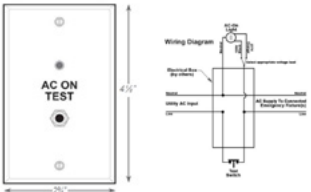
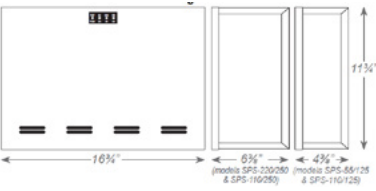
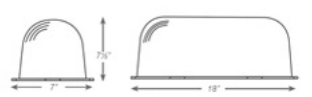
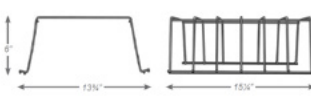
Accessories

AGENT/DISTRIBUTOR NAME-LOGO

Project Name _____

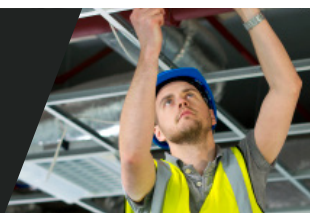
Date _____ Type _____

Catalog Number _____

ACCESSORY TYPE	MATERIAL NUMBER CATALOG LOGIC	SPECIFICATION NOTES
Remote Test Switch 	93144798 LEARTS	<ul style="list-style-type: none"> Field selectable 120V or 277V. Power "ON" LED indicator light and push-to-test switch for mandated code compliance testing. Remote Test Switch can be mounted to any standard switch box, and suitable for wall or ceiling mount. Injection-molded, engineering grade, V-0 flame retardant mounting plate in white finish.
Surface Mount Inverters 	93144805 LEAI1 (110W/125VA) 93144806 LEAI2 (220W/250VA)	<ul style="list-style-type: none"> Pulse width modulated (PWM) output design provides clean, 60 Hz, sinusoidal emergency power to loads. Input Input Voltages: 120 or 277VAC ±10% Input Frequencies: 60Hz ±2% Input Protection: AC Line Fuses Output Output Voltages: (60Hz) 120 or 277VAC Efficiency Rating: 98% at full rated load (line) Waveform: Sinusoidal (digitally controlled) Static Voltage: ±5% during battery discharge, 0-100% linear load. Output Frequencies: 60Hz, ±0.3Hz during emergency cycle Output Distortion: Less than 3% THD (linear load) Transfer Time: Less than 1.0 second Load Power Factor Range: 0.44 Lead to 0.44 Lag Minimum Loading: 0% of rated system capacity Output Protection: Line and inverter fuses
Vandal Shields 	93144801 LEAVSS3 (Thermoplastic Models)	<ul style="list-style-type: none"> High-impact resistant polycarbonate material. Mounting hardware provided for easy installation in the field
Wire Guards 	93144803 LEAWGS1 (Thermoplastic Models)	<ul style="list-style-type: none"> Durable 9-gauge steel construction. Mounting hardware provided for easy installation in the field

ProLine®

Every contractor deserves a
Fast, Reliable, and Trusted Lighting Partner



For Product or Technical Questions:

Email: lightingproinfo@gecurrent.com

Phone: +1 888 694 3533, option 2

GE current
a Daintree company

www.gecurrent.com

© 2020 Current Lighting Solutions, LLC. All rights reserved. GE and the GE monogram are trademarks of the General Electric Company and are used under license. Information provided is subject to change without notice. All values are design or typical values when measured under laboratory conditions.
IND597 (Rev 03/19/21) | SWM-XXXXXX