

RELS-R

Edge Lit Recessed LED Downlight (Regressed)

Product Description

The REL Regressed Edge Lit Downlight offers a regressed design using baffles to bring depth and a clean aesthetic to any room. The edge-lit technology makes it a practical solution with high performance and five CCT selectability (2700K, 3000K, 3500K, 4000K, and 5000K) for ultimate customization. Adjustable spring-loaded retention tabs allow a secure fit for easy installation in both new construction and remodel applications. The REL-R is an ideal solution for multi-family dwellings such as apartment buildings, condos, townhomes, and commercial applications.

Construction

- Cast aluminum housing routes heat away from electrical components
- Edge-Lit technology allows for extremely thin fixture depth
- Adjustable, spring loaded retention tabs ensure secure fixture retention
- Off-board driver minimizes installation height and maximizes fixture life through improved heat management

Optical System

- Precision engineered optical stack creates uniform light distribution that maximizes lumen output
- Offered with 5 CCT selection of 2700K, 3000K, 3500K, 4000K, and 5000K
- Binned within 4-step MacAdams with duv $< \pm 0.003$
- Utilizes high performing LEDs with 90+ CRI and an R9 > 50

Electrical

- Input voltage of 120VAC
- Dimmable to 5% with compatible leading edge (TRIAC) or trailing edge (ELV) dimmers
- Operating temperature rating of -4°F to 104°F (-20°C to 40°C)

Finish

- White powder coat finish standard

Mounting and Installation

- Spring loaded retention tabs allow for easy installation into ceilings up to 3/4" thick with no need for a recessed housing
- Off-board driver/junction box includes three 1/2" KOs and three-port poke-in connectors
- Included paper cut-out template
- Accessory steel rough-in frames and templates available
- Accessory extension power cables (2' & 10') available
- For installations where power surge may be possible, NICOR recommends installing additional surge protection at the electrical distribution panel

Listings

- cETLus 1598 Classified for wet locations
- Energystar listed
- CA Title 24 compliant (JA8)
- Certified for direct contact with insulation (IC-Rated)
- Meets Air Tight requirements per ASTM E283
- Compliant with NFPA® 70, NEC® Section 410.16 (A)(3) and 410.16 (C)(5) for closet use
- RoHS Compliant: Free from harmful and hazardous materials
- Meets FCC Part 15, Subpart B, Class B standards for conducted and radiated emissions
- LED lumen maintenance: L70(9k)>54,000 hrs
- LM-79, LM-80 testing performed in accordance with IESNA standards

Warranty

- 5-year limited system warranty standard
- Warranty does not cover product failure due to an overvoltage event (power surge)

Project

Catalog

Type

Date



REL-R
4", and 6" Regressed Edgelit
LED Downlight
600, 800, 950 lumen



Ordering

Ordering Information

Example : REL61120SRRWH

Series	Version	Voltage	CCT's	Trim Shape	Fixture Type	Trim Color
REL4	1	120	S (Selectable)	R (Round)	R (Regressed)	WH (White)
REL6				Q (Square)		

Specifications and dimensions subject to change without notice

Accessories

accessories sold separately

4" White Goof Ring	REL4-1-GR-RD-WH
6" White Goof Ring	REL6-1-GR-RD-WH
2' Extension Cable for REL 5CCT	RELS-EXTCABLE-02
10' Extension Cable for REL 5CCT	RELS-EXTCABLE-10
3", 4", 6" Multi-Diameter Frame	MULTIFRAME-346-1
4" Rough-in Frame with Lip	DLE4-ROUGHIN-FRAME
6" Rough-in Frame with Lip	DLE6-ROUGHIN-FRAME
3", 4", 6" Rough In Flat Template	ROUGHIN-TEMPLATE-346

Performance Data and Dimming

Performance Data

Model Number	CCT	Lumens	Watts	Lumens/Watt
REL41120SRRWH	2700	656	10.06	65.2
	3000	710	10.65	66.6
	3500	726	10.70	67.9
	4000	742	10.74	69.1
	5000	768	10.64	72.1
REL41120SQRWH	2700	612	10.28	59.5
	3000	658	10.66	61.8
	3500	690	10.73	64.3
	4000	707	10.79	65.5
	5000	697	10.84	64.3
REL61120SRRWH	2700	901	11.75	76.7
	3000	943	12.27	76.8
	3500	984	12.44	79.1
	4000	1013	12.45	81.4
	5000	1019	12.51	81.5
REL61120SQRWH	2700	816	11.98	68.1
	3000	903	12.59	71.7
	3500	945	12.66	74.6
	4000	967	12.67	76.3
	5000	956	12.82	74.6

Recommended Dimmers*

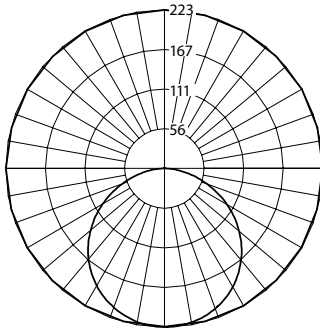
Lutron Skylark SELV-300P
 Lutron Skylark SCL-153P
 Lutron DIVA DVCL-153P
 Lutron DIVA DVELV-300P
 Lutron MAELV-600
 Lutron PD-10NXD

*Not a complete list. Check compatibility before installation.

Photometric Data

REL4-RR

Input Voltage (VAC)	120
System Level Power (W)	10.1
Delivered Lumens (Lm)	656
System Efficacy (Lm/W)	65.0
Correlated Color Temp (K)	2741
Color Rendering Index (CRI)	92 R9=54
Beam Angle	114
Spacing Criteria	1.30



Intensity Summary (Candle Power)

Angle	Mean CP
0	223
5	222
15	216
25	202
35	181
45	153
55	120
65	83
75	46
85	13
90	0

Cone of Light Tabulation

Mounted height (Feet)	Footcandles Beam Center	Diameter (Feet)
4	13.9	12.4
6	6.2	18.6
8	3.5	24.8
10	2.2	31.0

Zonal Lumen Summary

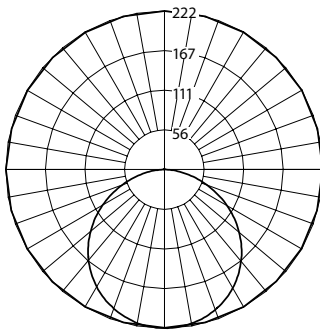
Zone	Lumens	% of Luminaire
0-30	174	26.6%
0-40	287	43.7%
0-60	511	77.9%
0-90	656	100%
90-180	0	0%
0-180	656	100%

CCT Data Multiplier

3000K	1.082
3500K	1.107
4000K	1.131
5000K	1.071

REL4-QR

Input Voltage (VAC)	120
System Level Power (W)	10.3
Delivered Lumens (Lm)	612
System Efficacy (Lm/W)	59.4
Correlated Color Temp (K)	2784
Color Rendering Index (CRI)	93 R9=57
Beam Angle	109.0
Spacing Criteria	1.24



Intensity Summary (Candle Power)

Angle	Mean CP
0	222
5	221
15	213
25	196
35	172
45	143
55	110
65	75
75	40
85	11
90	0

Cone of Light Tabulation

Mounted height (Feet)	Footcandles Beam Center	Diameter (Feet)
4	19.3	12.3
6	8.6	18.4
8	4.8	24.5
10	3.1	30.7

Zonal Lumen Summary

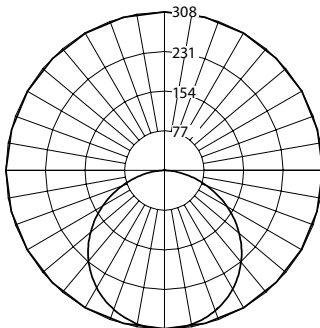
Zone	Lumens	% of Luminaire
0-30	171	27.9%
0-40	277	45.4%
0-60	484	79.2%
0-90	612	100%
90-180	0	0%
0-180	612	100%

CCT Data Multiplier

3000K	1.075
3500K	1.127
4000K	1.155
5000K	1.139

REL6-RR

Input Voltage (VAC)	120
System Level Power (W)	11.8
Delivered Lumens (Lm)	901
System Efficacy (Lm/W)	76.4
Correlated Color Temp (K)	2753
Color Rendering Index (CRI)	93 R9=56
Beam Angle	113.8
Spacing Criteria	1.28



Intensity Summary (Candle Power)

Angle	Mean CP
0	308
5	307
15	296
25	276
35	246
45	207
55	161
65	110
75	59
85	15
90	0

Cone of Light Tabulation

Mounted height (Feet)	Footcandles Beam Center	Diameter (Feet)
4	19.3	12.3
6	8.5	18.4
8	4.8	24.5
10	3.1	30.7

Zonal Lumen Summary

Zone	Lumens	% of Luminaire
0-30	241	26.7%
0-40	396	44%
0-60	704	78.1%
0-90	901	100%
90-180	0	0%
0-180	901	100%

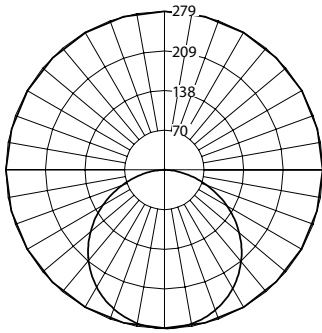
CCT Data Multiplier

3000K	1.047
3500K	1.092
4000K	1.124
5000K	1.131

Photometric Data

REL6-QR

Input Voltage (VAC)	120
System Level Power (W)	12.0
Delivered Lumens (Lm)	816
System Efficacy (Lm/W)	68.0
Correlated Color Temp (K)	2785
Color Rendering Index (CRI)	93 R9=59
Beam Angle	114.2
Spacing Criteria	1.30



Intensity Summary (Candle Power)

Angle	Mean CP
0	278
5	278
15	269
25	252
35	226
45	192
55	151
65	105
75	57
85	16
90	0

Cone of Light Tabulation

Mounted height (Feet)	Footcandles Beam Center	Diameter (Feet)
4	17.4	12.4
6	7.7	18.5
8	4.3	24.7
10	2.8	30.9

Zonal Lumen Summary

Zone	Lumens	% of Luminaire
0-30	218	26.7%
0-40	359	44%
0-60	638	78.2%
0-90	816	100%
90-180	0	0%
0-180	816	100%

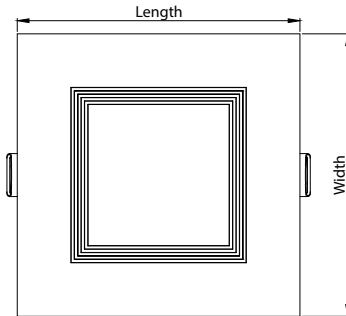
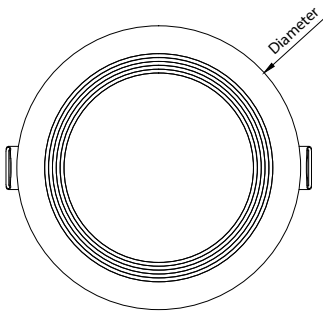
CCT Data Multiplier

3000K	1.107
3500K	1.158
4000K	1.185
5000K	1.172

Dimensions

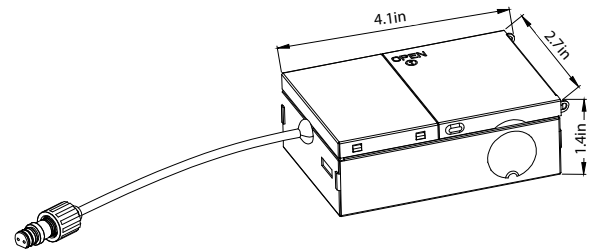
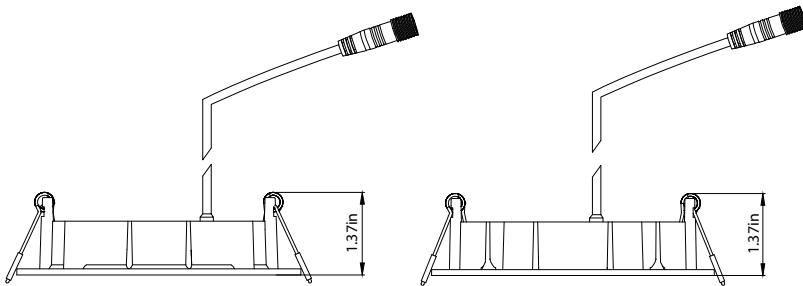
REL-RD

REL-QR



Dimensions

Fixture	OD or L x W
REL-R 4 Round	4.7in Ø (120mm)
REL-R 6 Round	6.7in Ø (170mm)
REL-R 4 Square	4.7in x 4.7in (120mm)
REL-R 6 Square	6.7in x 6.7in (170mm)



This device complies with part 15 of the FCC Rules. Operation is subject to the following two conditions: (1) This device may not cause harmful interference, and (2) this device must accept any interference received, including interference that may cause undesired operation.

NOTE: This equipment has been tested and found to comply with the limits for a Class B digital device, pursuant to part 15 of the FCC Rules. These limits are designed to provide reasonable protection against harmful interference in a residential installation. This equipment generates, uses and can radiate radio frequency energy and, if not installed and used in accordance with the instructions, may cause harmful interference to radio communications. However, there is no guarantee that interference will not occur in a particular installation. If this equipment does cause harmful interference to radio or television reception, which can be determined by turning the equipment off and on, the user is encouraged to try to correct the interference by one or more of the following measures:

- Reorient or relocate the receiving antenna.
- Increase the separation between the equipment and receiver.
- Connect the equipment into an outlet on a circuit different from that to which the receiver is connected.
- Consult the dealer or an experienced radio/TV technician for help.