

# IMS3PIRDT

## IMS DALI-2 Enabled Multi Sensor

### Product Description

The IMS3PIRDT occupancy sensor integrates a passive infrared presence detector and a digital microphone. This sensor also provides light intensity (daylight) measurement giving it the ability to work in daylight harvesting applications. The sensor provides a presence detection zone with a diameter of 35.4 feet at a mounting height of 9.8 feet, making it ideal for covering a typical office room or an area in an open office space. At mounting heights ranging from 16.4 to 39.3 feet, the detection area extends to 839.6 square feet. The occupancy sensor mounts with spring snaps in false ceilings.

#### Construction

- 2.67" X 1.81" deep
- RAL 9010, pure white
- 3 digital inputs (dry contact)
- Illuminance measurement 0-4000lux, resolution 0.125 lux
- Built-in infrared receiver for optional infrared remote control
- Temperature sensor
- Humidity sensor

#### Electrical

- Powered via DALI bus (DALI-voltage according to IEC62386 (2014))
- 6 mA / 10 mA at 16 V DC

#### Environmental

- Operating Temp 32°F to 122°F (0°C to 50 °C)
- Relative Humidity 10% – 90 %, non-condensing

#### Installation

- Direct installation in false ceilings (spring mount included)
- Flush-mounted installation

#### Listings

- DALI Alliance Certified
- RoHS Compliant

#### Warranty

- 3-year limited system warranty
- Warranty does not cover product failure due to an overvoltage event (power surge)

Project

Catalog

Type

Date



### Ordering Information

Example: IMS3PIRDT

Series

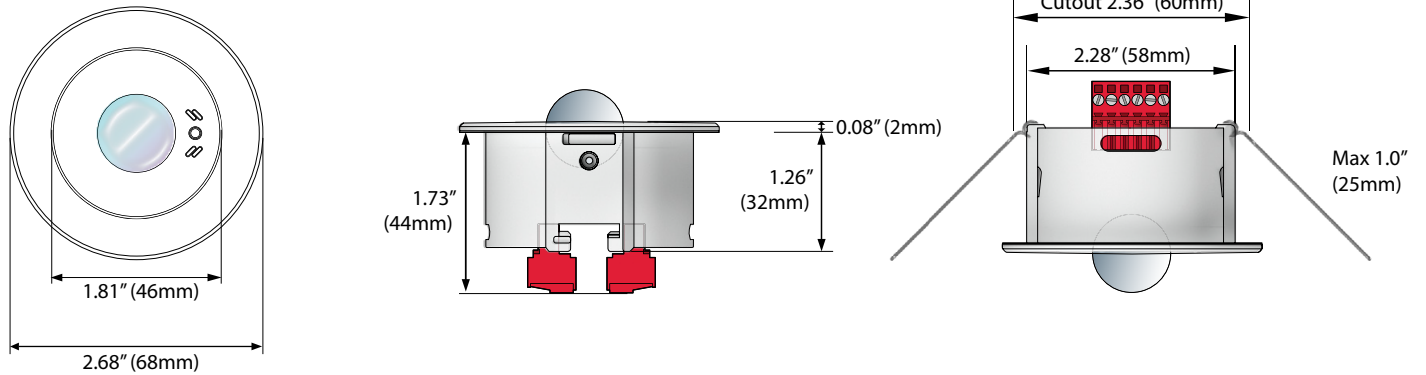
IMS3PIRDT



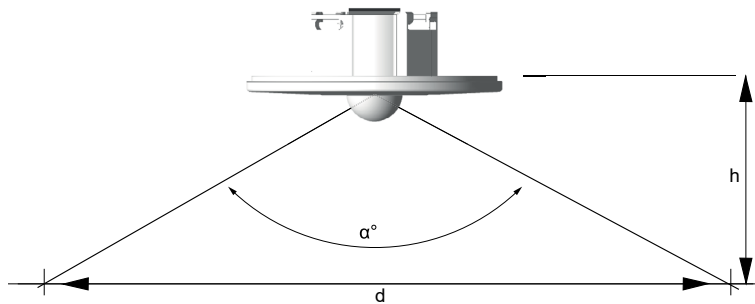
# IMS3PIRDT

IMS DALI-2 Enabled Multi Sensor

## Dimensions



## Sensor Coverage



Mounting Height / Coverage IMS3PIRDT

H (FT)	D (FT)	A (FT)	$\alpha$ [°]
4.9	17	75	122
6.5	23.6	134	122
8.2	29.5	209	122
8.8	31.8	246	122
9.8	35.4	301.8	122
11.4	41.3	410.1	122
13.1	47.2	538	122
14.7	53.1	679	122
16.4	59	839.8	122
19.6	59	839.8	122
26.2	59	839.6	96.7
32.8	59	839.6	84
39.3	59	839.6	73.6