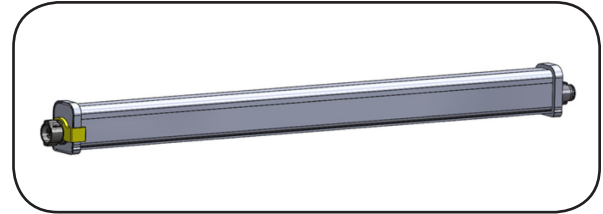


Wet Rated Batten LED Luminaire

LED Lighting System



BEFORE YOU BEGIN

Read these instructions completely and carefully.

BG Българската версия на инструкциите за инсталация и информация за безопасност могат да бъдат намерени на следния адрес: <https://products.currentbyge.com/eu>

CS Návod k montáži a bezpečnostní informace v češtině najdete zde: <https://products.currentbyge.com/eu>

DA Den danske version af installationsvejledningen og sikkerhedsoplysninger kan findes på følgende placering: <https://products.currentbyge.com/eu>

DE Die deutsche Version der Installationsanleitung und Sicherheitsinformationen finden Sie in folgendem Verzeic: <https://products.currentbyge.com/eu>

EL Μπορείτε να βρείτε την ελληνική εκδοχή των οδηγιών εγκατάστασης και των πληροφοριών ασφάλειας στην εξής τοποθεσία: <https://products.currentbyge.com/eu>

ES La versión española de las instrucciones de instalación y la información sobre seguridad puede encontrarse en la siguiente ubicación: <https://products.currentbyge.com/eu>

ET Eestikeelse paigaldusjuhendi ja ohutusnõuded leiate aadressilt: <https://products.currentbyge.com/eu>

FI Asennusohjeiden ja turvallisuustietojen suomenkielinen versio löytyy seuraavasta paikasta: <https://products.currentbyge.com/eu>

FR La version française des instructions d'installations et information de sécurité est disponible à l'adresse suivante: <https://products.currentbyge.com/eu>

HR Hrvatska verzija priručnika za ugradnju i sigurnosnih informacija nalazi se na sljedećoj lokaciji: <https://products.currentbyge.com/eu>

HU A telepítési útmutató és a biztonság információk magyar nyelvű változata az alábbi címen található: <https://products.currentbyge.com/eu>

IT La versione italiana del manuale di installazione e sicurezza può essere reperita nella seguente sezione: <https://products.currentbyge.com/eu>

LT Lietuvišką diegimo instrukcijos ir saugos informacijos versiją galima rasti šioje vietoje: <https://products.currentbyge.com/eu>

LV Uzdādišanas instrukciju un drošības informāciju latviešu valodā var atrast šeit: <https://products.currentbyge.com/eu>

NL De Nederlandse versie van de installatie-instructies en veiligheidsinformatie kan op de volgende locatie worden gevonden: <https://products.currentbyge.com/eu>

PL Polską wersję instrukcji instalacji oraz informacje dotyczące bezpieczeństwa można znaleźć w następującej lokalizacji: <https://products.currentbyge.com/eu>

PT A versão em Português das instruções de instalação e das informações de segurança pode ser encontrada na seguinte localização: <https://products.currentbyge.com/eu>

RO Versiunea în limba română a instrucțiunilor de instalare și a informațiilor de siguranță pot fi găsite la: <https://products.currentbyge.com/eu>

SV Ni hittar den svenska versionen av installationsanvisningarna och säkerhetsinformationen på följande plats: <https://products.currentbyge.com/eu>

SL Previdnostna opozorila in varnostne informacije so na zadnji strani vodnika za namestitve. Pred začetkom namestitve izdelka jih skrbno preberite: <https://products.currentbyge.com/eu>

SK Slovenskú verziu montážnej príručky a bezpečnostných informácií nájdete na nasledujúcej lokalite: <https://products.currentbyge.com/eu>

For the latest North American install guides for your product go to: products.currentbyge.com/sign-lighting/batten-led-luminaire

For the latest European install guides for your product go to: <https://products.currentbyge.com/eu>

Prepare Electrical Wiring **FOR UL ONLY**



Electrical Requirements

- Acceptable for use in dry, damp and wet locations.
- Follow all National Electric Codes (NEC) and local codes.

The light source of this luminaire is not replaceable; when the light source reaches its end of life the whole luminaire shall be replaced.

If the external flexible cable or cord of this luminaire is damaged, it shall be replaced by a special cord or cord exclusively available from the manufacturer, his service agent or a qualified specialist.

Save These Instructions

Use only in the manner intended by the manufacturer. If you have any questions, contact the manufacturer.

⚠ WARNING / AVERTISSEMENT**RISK OF ELECTRIC SHOCK**

- Turn power off before inspection, installation or removal.
- The electrical supply for each luminaire must always be connected to the male connector.
- Not to be submerged or used in a marine environment.

RISK OF FIRE

- Follow all local codes.

RISQUES DE DÉCHARGES ÉLECTRIQUES

- Coupez l'alimentation avant l'inspection, l'installation ou le déplacement.
- L'alimentation électrique pour chacun des luminaires doit toujours être branché du côté mâle de la prise.
- Ne pas submerger ou installer dans un environnement marin.

RISQUES D'INCENDIE

- Respectez tous les codes locaux.

This device complies with Part 15 of the FCC Rules. Operation is subject to the following two conditions: (1) This device may not cause harmful interference, and (2) this device must accept any interference received, including interference that may cause undesired operation.
CAN ICES-005 (A) / NMB-005 (A)

Note: This equipment has been tested and found to comply with the limits for a Class A digital device, pursuant to part 15 of the FCC Rules. These limits are designed to provide reasonable protection against harmful interference when the equipment is operated in a commercial environment. This equipment generates, uses, and can radiate radio frequency energy and, if not installed and used in accordance with the instruction manual, may cause harmful interference to radio communications. Operation of this equipment in a residential area is likely to cause harmful interference in which case the user will be required to correct the interference at his own expense.

Please contact support at tetra.support@ge.com with regard to applications other than horizontal. In these applications, batten luminaires should not be directly interconnected and the male connector (power input) should be in the upward orientation with the female end facing down.



Electrical products must not be thrown out with domestic waste. They must be taken to a communal collecting point for environmentally friendly disposal in accordance with local regulations. Contact your local authorities or stockist for advice on recycling. The packaging material is recyclable. Dispose of the packaging in an environmentally friendly manner and make it available for the recyclable material collection-service.



Visit LED.com

Conforms to the following standards:

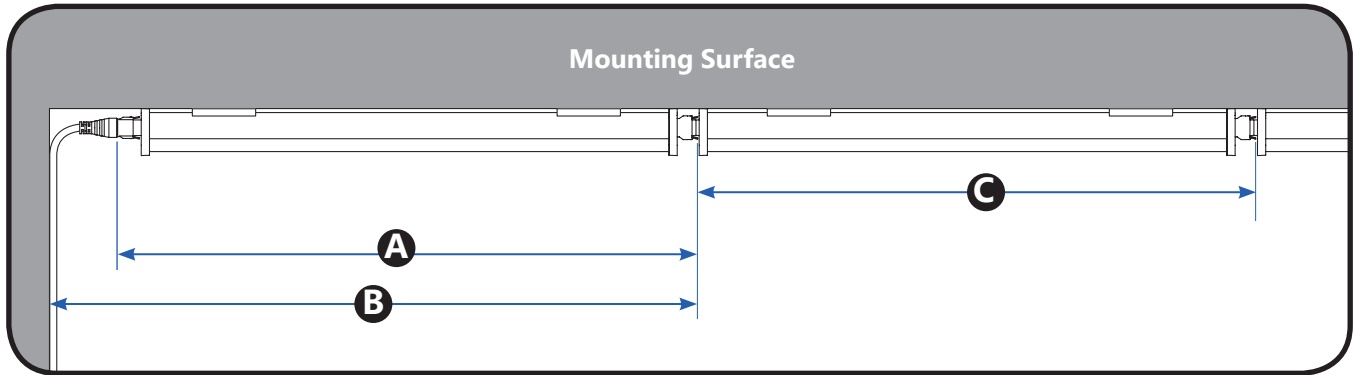
IP66 rated



CLASS II LUMINAIRES

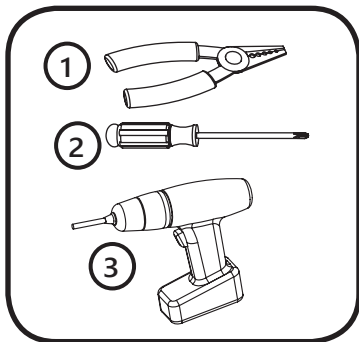


Product Length



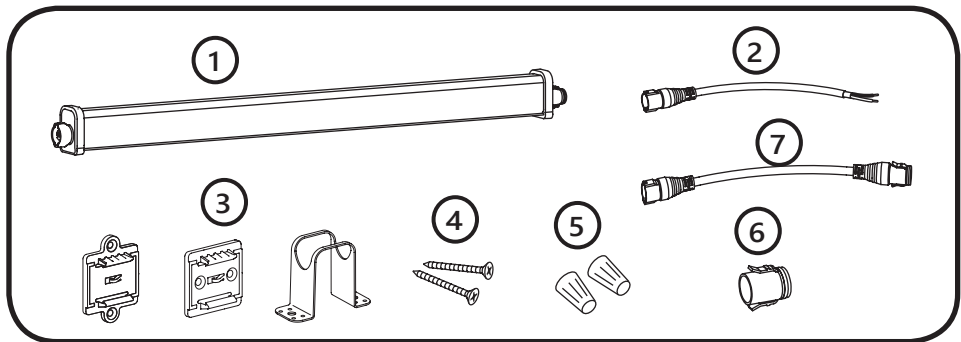
	A Length of lamp with connectors	B Length including leader cable	C Length of additional lamp in series
4 ft.	47" 119.4 cm	50" 127.1 cm	46.2" 117.3 cm
8 ft.	91" 231.5 cm	94.2" 239.2 cm	90.3" 229.4 cm

Tools Required



- ① Wire stripper/cutter
- ② Screwdriver
- ③ Cordless drill with driver bit

Components Required



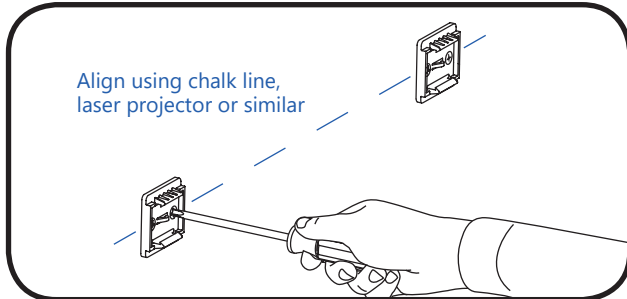
- ① Current LED Batten fixtures (4 ft. or 8 ft.)
- ② Leader cable (93113059 – Global including North America)
- ③ Mounting clips (88818 – standard), (10734 – slim), or (93113061 - metal)
- ④ #10 (M5) self-tapping flathead screws
- ⑤ UL approved 18-14 AWG (0.82-2.08 mm²) wire connectors or in-line splice connectors
- ⑥ End cap for connectors
- ⑦ Jumper cable (93113060 – Global including North America: 24 in./610mm long)

METHOD 1

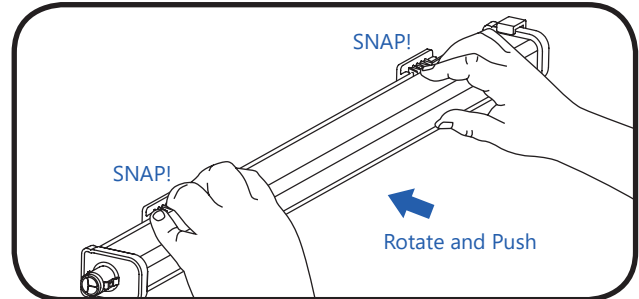
Installation Steps: Single Luminaire Installations

Planning first: Luminaires must only be mounted using Current's standard, slim, or metal mounting clips (see *Components Required* on page 3)

Mounting instructions using Current's standard and slim mounting clips.



- 1A** Secure each luminaire mounting clip to a rigid flat mounting surface using two #10 (M5) self-tapping flathead screws along the intended run of luminaire. **To avoid stress and damage to luminaire the entire mounting surface should be flat and the mounting clips be properly aligned.** Refer to table on page 8 for required number of mounting clips per luminaire.

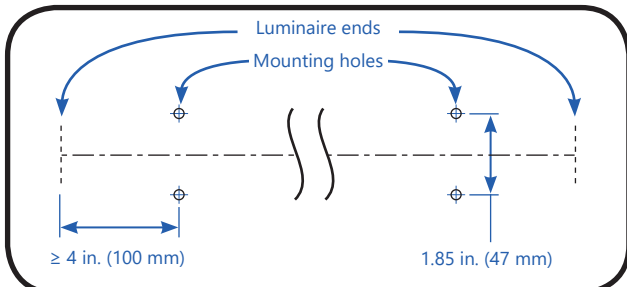


- 2A** Press the luminaire into its mounting clips so that the male connector is oriented towards the intended electrical supply. **TIP:** Align luminaire on one side of the mounting clips; then rotate the luminaire until it snaps into other side of the mounting clips.

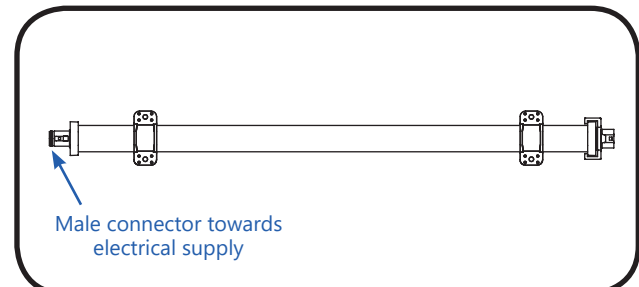
(Only for single luminaire installation)

Alternately: The required mounting clips may first be pressed onto the luminaire, then the luminaire mounting clip assembly may be mounted on to the mounting surface using two #10 (M5) self-tapping flathead screws per mounting clip.

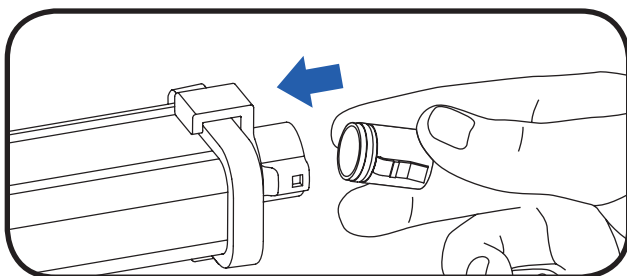
Mounting instructions using Current's metal mounting clip.



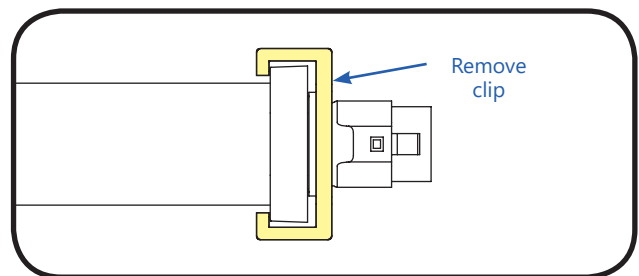
- 1B** Pre-measure and mark each metal mounting clip screw location on the mounting surface. **To avoid stress and damage to luminaire the entire mounting surface should be flat and the mounting clips be properly aligned.** Refer to table on page 8 for required number of mounting clips per luminaire.



- 2B** Place the luminaire on the surface with the male connector oriented towards the intended electrical supply. Install metal mounting clips over the luminaire, using two #10 (M5) self-tapping flathead screws to affix the metal mounting clips to the mounting surface.



- 3** Ensure there is an end cap to the female connector.



- 4** Remove the yellow connector retention clip.

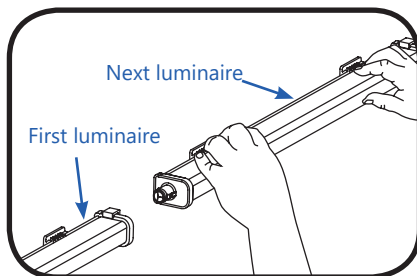
Go to METHOD 4: Connections to the Electrical Supply

METHOD 2**Installation Steps: Luminaire Installations to be Interconnected with Jumper Cable****Planning first:**

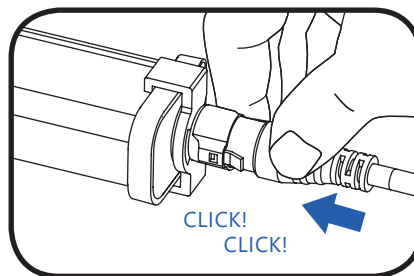
See Multiple Bar Installation details to not exceed the maximum run length per Leader Cable.

Luminaires must only be mounted using Current's standard, slim, or metal mounting clips (see *Components Required* on page 3)

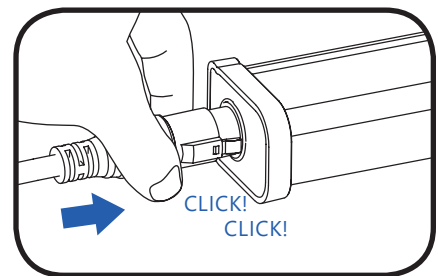
① and ② See instructions in Method 1 (page 4) for installing the first luminaire.



③ Press the next luminaire in the run into its mounting clips using the same procedure as Step 2.

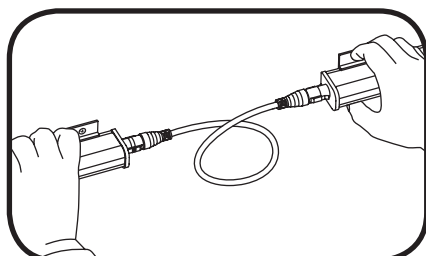


④ Remove end cap to the female connector where jumper cable will be installed. Insert the male connector of the batten jumper cable so that it fully engages the female connector of the **first luminaire** as indicated by hearing 2 clicks.

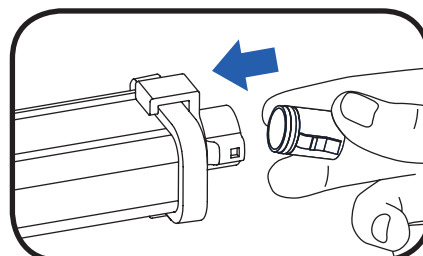


⑤ Insert the female connector of the batten jumper cable so that it fully engages the male connector of the luminaire currently being installed as indicated by hearing 2 clicks.

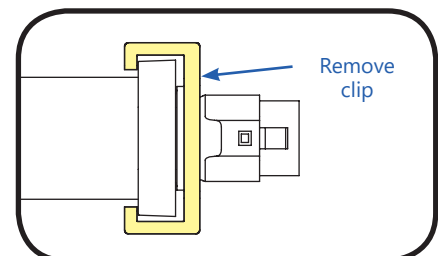
To avoid damage, do not bend or otherwise exert excessive force on the Batten connector during installation.



⑥ Step 3, 4 and 5 may be repeated for each additional luminaire in the run.



⑦ Ensure that there is an end cap on the female connector on the last luminaire in the run.



⑧ Remove the yellow connector retention clip from each batten.

Go to METHOD 4 - Connections to the Electrical Supply

METHOD 3

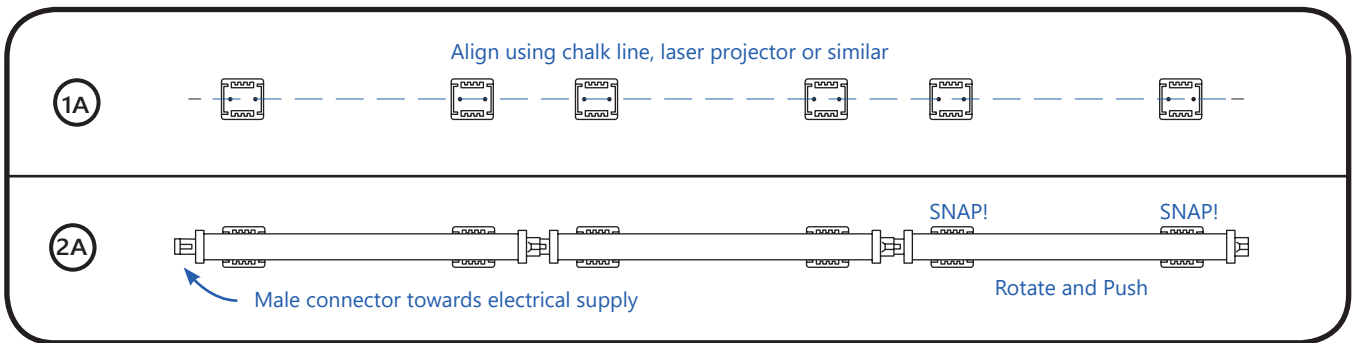
Installation Steps: Directly Interconnected Luminaire

Planning first:

See Multiple Bar Installation details to not exceed the maximum run length per Leader Cable.

Luminaires must only be mounted using Current's standard, slim, or metal mounting clips (see *Components Required* on page 3)

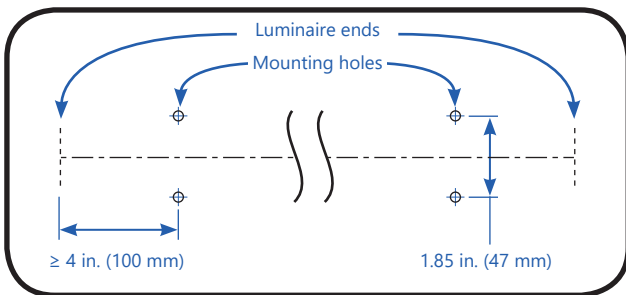
Mounting instructions using Current's standard and slim mounting clips.



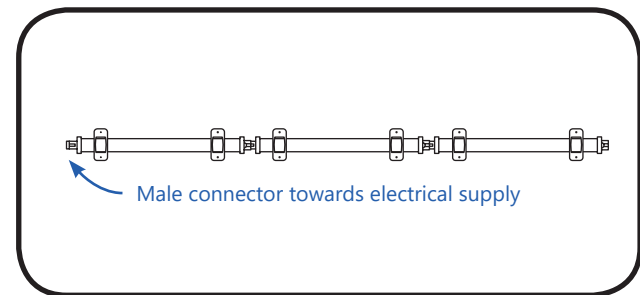
1A Secure each luminaire mounting clip to a rigid flat mounting surface using two #10 (M5) self-tapping flathead screws along the intended run of luminaire. **To avoid stress and damage to luminaire the entire mounting surface should be flat and the mounting clips be properly aligned.** Refer to table on page 8 for required number of mounting clips per luminaire.

2A Press the luminaire into its mounting clips so that the male connector is oriented towards the intended electrical supply. **TIP:** Align luminaire on one side of the mounting clips; then rotate the luminaire until it snaps into other side of the mounting clips.

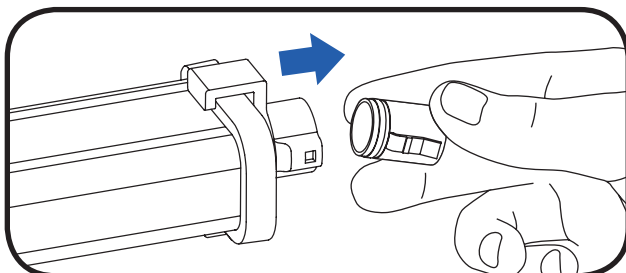
Mounting instructions using Current's metal mounting clip.



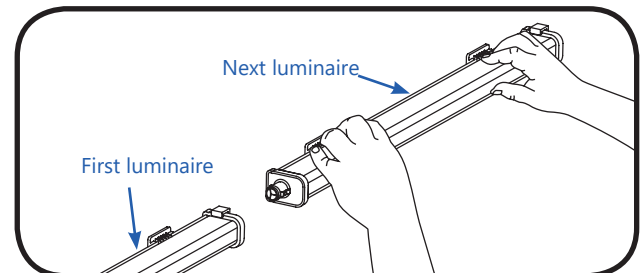
1B Pre-measure and mark each metal mounting clip screw location on the mounting surface. **To avoid stress and damage to luminaire the entire mounting surface should be flat and the mounting clips be properly aligned.** Refer to table on page 8 for required number of mounting clips per luminaire.



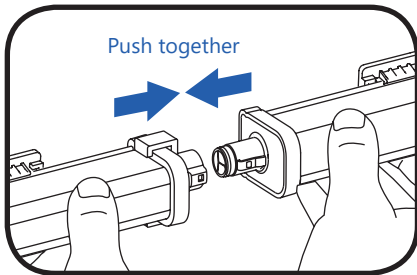
2B Place the luminaire on the surface with the male connector oriented towards the intended electrical supply. Install metal mounting clips over the luminaire, using two #10 (M5) self-tapping flathead screws to affix the metal mounting clips to the mounting surface.



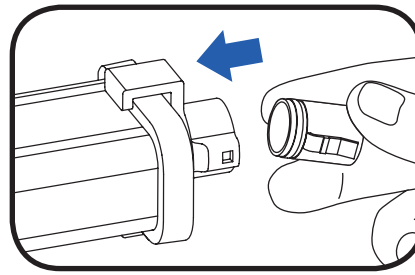
3 Ensure there is an end cap to the female connector.



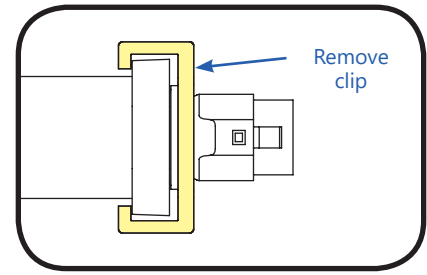
4 Press the next luminaire in the run into its mounting clips using the same procedure as Step 2.



- 5 Slide the luminaire into the previous one in the run until the male connector of the luminaire fully engages the female connector of the previous one as indicated by hearing 2 distinct clicks. **Do not bend or otherwise exert excessive force on the luminaire connector.** Steps 3, 4 and 5 may be repeated for each additional luminaires in the run.



- 6 Ensure that there is an end cap on the female connector on the last luminaire in the run.

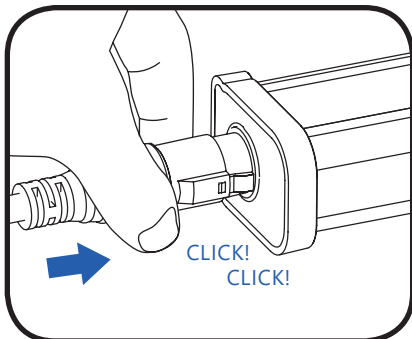


- 7 Remove the yellow connector retention clip from each batten.

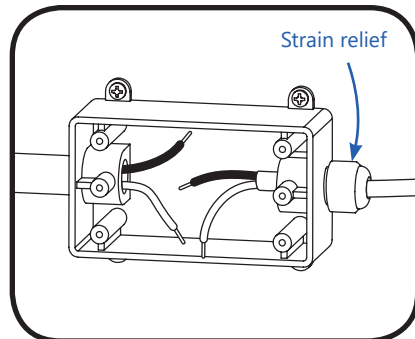
Go to METHOD 4 - Connections to the Electrical Supply

METHOD 4

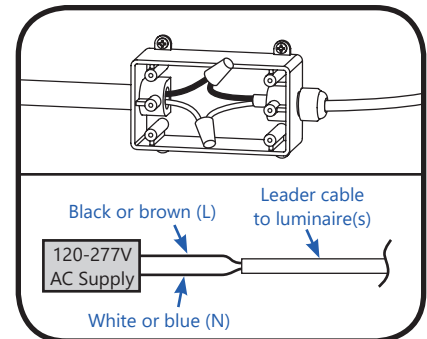
Connections to Electrical Supply



- 1 Insert the female connector of the batten leader cable so that it fully engages the male connector of the first luminaire in the run as indicated by hearing 2 clicks. **See Multiple Bar Installation detail to not exceed maximum run length for one leader.** **To avoid damage, do not bend or otherwise exert excessive force on the Batten connector during installation.**



- 2 Insert the supply end of the leader cable through a suitable strain relief into a proper junction box for the location so that the leader cable outer jacket has passed through the strain relief. Tighten the strain relief onto the leader cable jacket.



- 3 Inside the junction box, connect the line and neutral wires of the AC supply source to the line (black or brown) and neutral (white or blue) wires of the leader cable using suitable wire nuts. Install the junction box cover when complete.

⚠ IMPORTANT GUIDELINES / CONSEILS IMPORTANTS

- Cables shall not be concealed or extended through a wall, floor, ceiling, or other parts of the building structure; located above a suspended ceiling or dropped ceiling; permanently affixed to the building structure.
- Cables shall be routed so that they are not subject to strain and are protected from physical damage; visible over their entire length; and used within their rated ampacity as determined for the maximum temperature of the installed environment specified in the instructions.
- Les câbles ne doivent pas être cachés à l'intérieur ou passer à travers un mur, un plancher, un plafond ou d'autres parties de la structure du bâtiment; ne doivent pas être placés au-dessus d'un plafond suspendu; ne doivent pas faire partie intégrante de la structure du bâtiment.
- Les câbles doivent être installés de façon à être protégés contre l'étirement et tout autre dommage; être visibles sur toute leur longueur; utilisés dans la limite de leur capacité électrique, déterminée pour les limites de température de l'environnement spécifiée dans ce document.

Multiple Bar Installation Detail

Input voltage : 100VAC - 277 VAC, 50/60Hz

MO/ HO	Lamp Length	Product Code (SKU)	Description Code	CCT	Maximum Bars Per Leader Cable			Qty of Mounting Clips		Electrical Loading Detail Typical Current (A)		
					For 120VAC	For 240VAC	For 277VAC	Plastic Clips	Metal Clips	For 120VAC	For 240VAC	For 277VAC
MO	4ft.	93116586	GEWM4830BAT-2	3000K	23	43	43	2	2	0.15	0.08	0.075
		93116587	GEWM4835BAT-2	3500K								
		93116588	GEWM4840BAT-2	4000K								
		93116589	GEWM4850BAT-2	5000K								
		93116590	GEWM4871BAT-2	7100K								
	8ft.	93116591	GEWM9630BAT-2	3000K	11	21	21	3	2	0.3	0.16	0.15
		93116592	GEWM9640BAT-2	4000K								
		93116593	GEWM9650BAT-2	5000K								
HO	4ft.	93116595	GEWH4830BAT-2	3000K	14	24	24	2	2	0.24	0.14	0.13
		93116596	GEWH4835BAT-2	3500K								
		93116597	GEWH4840BAT-2	4000K								
		93116598	GEWH4850BAT-2	5000K								
		93116599	GEWH4871BAT-2	7100K								
		93116520	GEWH4871BAT-PL-2	Purple								
		93116600	GEWH488BLBAT-2	BLUE								
		93116601	GEWH48RDBAT-2	RED								
	8ft.	93116602	GEWH9630BAT-2	3000K	7	12	12	3	2	0.48	0.28	0.26
		93116603	GEWH9640BAT-2	4000K								
		93116604	GEWH9650BAT-2	5000K								
		93116605	GEWH9671BAT-2	7100K								
		93116521	GEWH9671BAT-PL-2	Purple								
		93116607	GEWH96BLBAT-2	BLUE								
93116606	GEWH96RDBAT-2	RED										

*** If combined with legacy GEWZXXYYBAT series luminaires, do not exceed the maximum run length specified for the legacy GEWZXXYYBAT.**

Note: Other SKUs available. For custom installation please contact us.

Product Codes

GEWZXXYYBAT-2

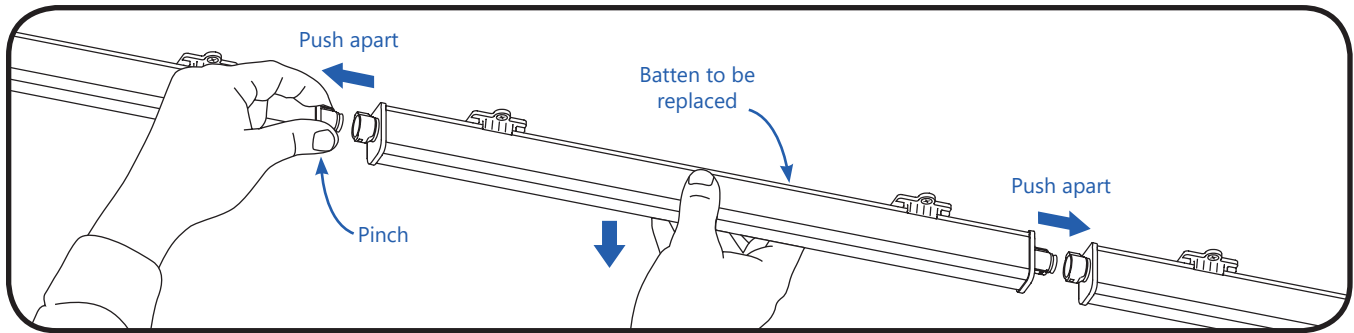
*Key for XX: 12 = 12", 24 = 24", 48 = 48", 96 = 96"

*Key for YY: 30 = 3000K, 35 = 3500K, 40 = 4000K, 50 = 5000K, 71 = 7100K, RD = RED, BL = BLUE

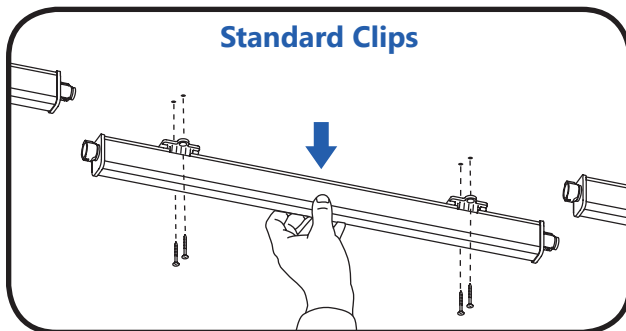
*Key for Z: M = medium, H = high

Troubleshooting

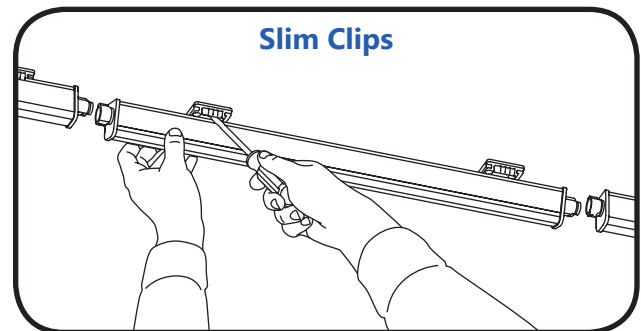
Symptom	Solution
All LED fixtures are not illuminated	<ul style="list-style-type: none"> Check leader cable connection and/or check circuit breaker. Check plug connectors on the LED fixtures for improper connections or short circuits. Ensure leader cable is securely connected to the female plug connector on the first LED fixture.
Some LED fixtures are not illuminated	<ul style="list-style-type: none"> Check plug connectors on the LED fixtures for improper connections or short circuits. Ensure any jumper cables are securely connected between the male/female plug connectors of the LED fixtures.

METHOD 5**Replacement Instructions for Directly Interconnected Luminaires**

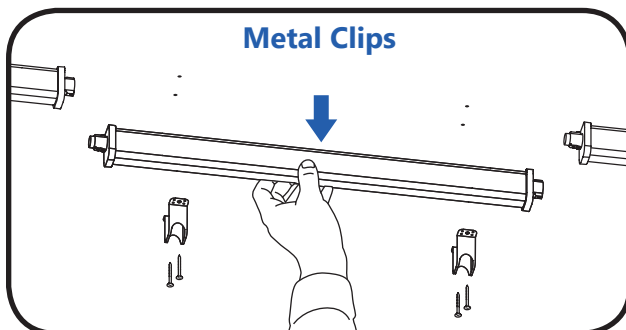
- ① Unclip plugs on both sides of the batten to be replaced. Push apart battens on either side.
TIP: Pinch the ends of the plug while pulling the receptacle end away.
To avoid damage, do not bend or otherwise exert excessive force on the Batten connector during installation.



- ②A Unscrew the mounting clips to completely remove the batten.



- ②B Using a screwdriver, gently pry the batten out of the mounting clips.



- ②C Unscrew the mounting clips to completely remove the batten.

- ③ To insert new batten, see Method 3.

To avoid damage, do not bend or otherwise exert excessive force on the Batten connector during installation.