

**FLUORESCENT WALL MOUNT FIXTURE  
ASSEMBLY & INSTALLATION INSTRUCTIONS  
MODEL#30035-FL-NK**

**INSTALLATION IS NOW COMPLETED**

*Please read carefully and save these instructions, as you may need them at a later date.*

**CAUTION**

Turn off the main power at the circuit breaker before installing the fixture, In order to prevent possible shock.

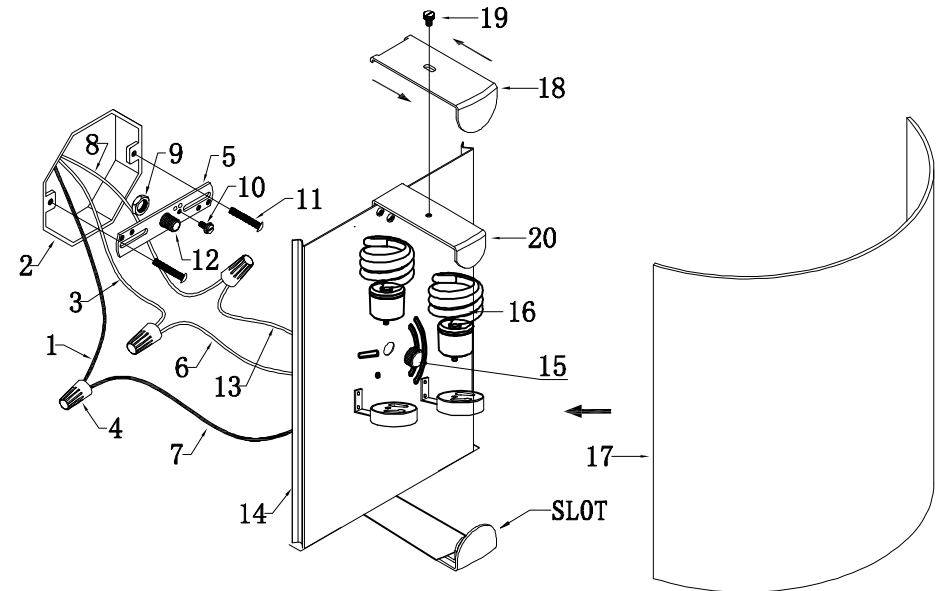
**GENERAL**

All electrical connections must be in accordance with local and national electrical code(N.E.C) standards. If you are unfamiliar with proper electrical wiring connections obtain the services of a qualified electrician.

Remove the fixture and the mounting package from the box and make sure that no parts are missing by referencing the illustrations on the installation instruction.

**ASSEMBLY AND INSTALLATION**

1. Turn off the power, pull the black supply wire (1), white supply wire (3) and house ground wire (8) out from the outlet box (2).
2. Secure the nipple (12) to the mounting bracket (5) with the hexgon nut (9). Then, install the green ground screw (9) to the mounting bracket (5). Using the screw (11) fasten the mounting bracket (5) to the outlet box (2).
3. Wire connection: Connect the black supply wire (1) to the black fixture wire (7), connect the white supply wire (3) to the white fixture wire (6), connect the house ground wire (8) to the ground wire (13) using the wire connector (4). Carefully pull all wires back to the outlet box (2).
4. Install the fixture body (14) to outlet box (2) by securing the knob (15) to the nipple (12).
5. Install the GU24 Bulb (16) to the GU24 socket.
6. Carefully slip the glass shade (17) into the slot on the fixture body (14), then secure the decorative bracket (18) to the bracket (20) using the fixture screw (19).



- |                       |                       |
|-----------------------|-----------------------|
| 1.BLACK SUPPLY WIRE   | 11.SCREW              |
| 2.OUTLET BOX          | 12.NIPPLE             |
| 3.WHITE SUPPLY WIRE   | 13.GROUND WIRE        |
| 4.WIRE CONNECTORS     | 14.FIXTURE BODY       |
| 5.MOUNTING BRACKET    | 15.KNOB               |
| 6.WHITE FIXTURE WIRE  | 16.GU24 BULB          |
| 7.BLACK FIXTURE WIRE  | 17.GLASS SHADE        |
| 8.HOUSE GROUND WIRE   | 18.DECORATIVE BRACKET |
| 9.HEXGON NUT          | 19.FIXTURE SCREW      |
| 10.GREEN GROUND SCREW | 20.BRACKET            |