

PRMC

PrimeChime Plus 2 Mini®

Product Description

The PrimeChime Plus 2 Mini® keeps all the popular features of NICOR's PrimeChime Plus 2® electronic doorbell while shrinking the unit to fit into a single gang junction box. Compatible with many video doorbell systems, the PRMC combines both line voltage and low voltage into a single unit and offers a paintable, screwless faceplate for simple installation and a seamless look. Separate melodies for front and rear doors allows you to keep track of exactly which door to answer. NICOR's lighted button makes your doorbell easily visible to visitors at all times of day, welcoming them to your home. The PRMC is also compatible with many video doorbell systems, increasing the security of your home with a reliable, minimal door chime kit.

Construction

- ABS Housing
- Combines line voltage and low voltage in a single unit
- Screwless ABS Faceplate
- Two-wire pigtail for line voltage input
- Multiple poke-in connectors for low voltage output for front and back doorbells

Electrical

- Integrated transformer
- Input: 120VAC/60Hz
- Output: 24VAC max
- Digital control board with speaker
- Five selectable melodies : Ding Dong, Westminster, 3 note, 5 note, and 7 note
- Five selectable volume levels
- Voice guided setup during selection

Finish

- Matte White
- Faceplate is field paintable

Installation

- Installs quickly into most non-metallic single-gang junction boxes
- Includes two lighted rectangle doorbell buttons
- Compatible with many popular video doorbell buttons
(see compatibility list and/or test for compatibility before installation)
- Able to drive up to 2 video doorbells at the same time.
- Daisy chain up to 10 PrimeChime Plus Mini® units (max 400ft total wire length)*
- Doorbell buttons connect with 18ga-22ga solid wire (max 100ft distance)
- For installations where higher power surge may be possible, NICOR recommends installing additional surge protection at the electrical distribution panels

**each chime requires individual 120VAC input*

Warranty

- 1 year limited system warranty standard
- Warranty does not cover product failure due to an overvoltage event (power surge)

Project

Catalog

Type

Date



PRMC

Electronic Door Chime

Ring Tone Selectable

Volume Selectable

Video Doorbell Compatible



Ordering

Ordering Information

Example: PRMC1120WH

Series	Version	Input Voltage	Finish	
PRMC	1	120	WH (White)	_ (Blank)
				RG (ring adapter kit)

Specifications and dimensions subject to change without notice.

Accessories

see PRCP2 Button spec sheet for more information

PRCP2BUTTONDBBK	Lighted Decorative Button - Black	PRCP2BUTTONSBAB	Lighted Stucco Button - Antique Brass
PRCP2BUTTONDBCO	Lighted Decorative Button - Copper	PRCP2BUTTONSBBZ	Lighted Stucco Button - Architectural Bronze
PRCP2BUTTONDBNK	Lighted Decorative Button - Nickel	PRCP2BUTTONSBPB	Lighted Stucco Button - Polished Brass
PRCP2BUTTONDBWH	Lighted Decorative Button - White	PRCP2BUTTONSBNK	Lighted Stucco Button - Nickel
		PRCP2BUTTONSBWH	Lighted Stucco Button - White
PRCP2STROBE	Remote Wired Visual Strobe Light		

Specifications and dimensions subject to change without notice.

Compatibility

Compatible Video Doorbells

Not a complete list.
Call NICOR or test for compatibility before installation.

Manufacturer	Model	Power Type	Notes
ALC	SightHD Video Doorbell (AWF71D)	Wired	
Alarm.com	VDB770	Wired	2
Amcrest	Video Doorbell (AD110)	Wired	
Arlo	Essential Video Doorbell Wire-free AVD2001 Wireless	Battery	3
Arlo	AVD1001	Wired	
Arlo	AVD4001	Wired	
blink	Video Doorbell (BDM00200U)	Battery	3
Eufy	Video Doorbell 2K	Battery	1, 3
Eufy	Video Doorbell 2K	Wired	1
Eufy	Video Doorbell E340	Wired	
Feit	Video Doorbell	Wired	
Google	Nest Doorbell	Battery	3
Google	Nest Doorbell	Wired	
Loxone	B451AJ-Z	Battery	3
Loxone	B451AJ-Z	Wired	
Residio	FIRST ALERT Pro	VX1 HD (CAMW-WDB)	Wired
remo+	RemoBell S		
Ring	Video Doorbell 2	Battery	2, 3, 6
Ring	Video Doorbell 3	Battery	2, 3, 6
Ring	Video Doorbell 3 Plus	Battery	2, 3, 6
Ring	Video Doorbell 4	Battery	2, 3, 6
Ring	Video Doorbell Pro	Wired	2, 6
Ring	Video Doorbell Pro2	Wired	2, 6
Simplisafe	Video Doorbell Pro	Wired	
Skybell	Trim II	Wired	
tapo	D225 Smart Video Doorbell	Battery or Wired	3
Wyze	Video Doorbell v2	Wired	

Notes:

* To ensure proper operation of the PRMC, no more than two video doorbells should be attached (Front Door or Back Door)

*Have account user name and password and wifi code on hand during setup.

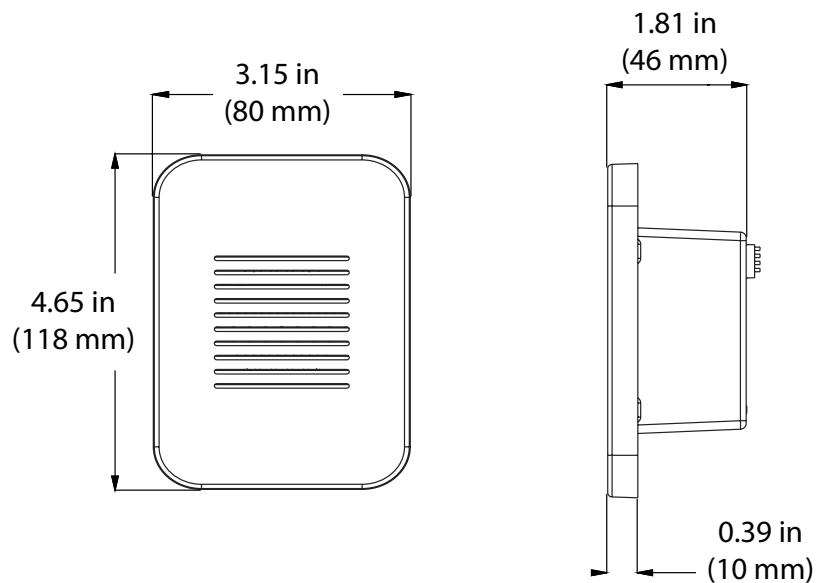
* Make sure both chime firmware and App software are fully updated before installation.

* Make sure the video doorbell is fully charged prior to installation. Low battery levels may cause abnormal performance

* A "power" or "diode" kit should not be installed. The NICOR unit is designed to provide the proper voltage for compatible video doorbells.

- 1) Sync doorbell and chime before installation of the PRMC.
- 2) Set to mechanical doorbell setting
- 3) Have battery fully charged before installation
- 4) Make sure both chime firmware and App software are fully updated before installation.
- 6) Adjust the "Ring tone length" in the App to 2 seconds to avoid multiple chime cycles (see Ring instructions for details).

Dimensions



This device complies with part 15 of the FCC Rules. Operation is subject to the following two conditions: (1) This device may not cause harmful interference, and (2) this device must accept any interference received, including interference that may cause undesired operation. NOTE: This equipment has been tested and found to comply with the limits for a Class B digital device, pursuant to part 15 of the FCC Rules. These limits are designed to provide reasonable protection against harmful interference in a residential installation. This equipment generates, uses and can radiate radio frequency energy and, if not installed and used in accordance with the instructions, may cause harmful interference to radio communications. However, there is no guarantee that interference will not occur in a particular installation. If this equipment does cause harmful interference to radio or television reception, which can be determined by turning the equipment off and on, the user is encouraged to try to correct the interference by one or more of the following measures:

- Reorient or relocate the receiving antenna.
- Increase the separation between the equipment and receiver.
- Connect the equipment into an outlet on a circuit different from that to which the receiver is connected.
- Consult the dealer or an experienced radio/TV technician for help.