

Thank you for choosing this quality product. Be sure to check all packaging materials carefully for small parts that may have become loose during shipment and place all parts on a non-abrasive surface.

**IMPORTANT** :These parts can be cumbersome and heavy to some people, therefore the assistance of two or more people is recommended in order to prevent personal injury and ensure the furniture is not damaged during the assembly Process.

### CARE INSTRUCTIONS

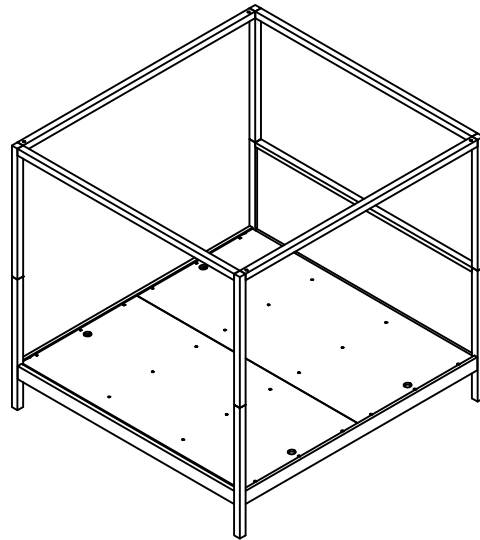
1. Dust often using a clean, soft, dry and lint-free cloth.
2. Blot spills immediately and wipe with a clean, damp, cloth.
3. We do not recommend the use of chemical cleansers, abrasives or furniture polish on our lacquered finish.

### IMPORTANT SAFETY INSTRUCTIONS

1. Please read all instructions carefully before assembling.
2. Keep instructions for future use.
3. Use only vendor supplied hardware to assemble. Using unauthorized hardware could jeopardize the structural integrity of the item.

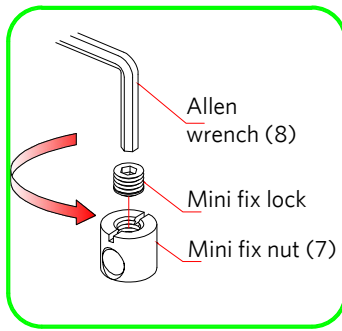
### PART LIST

- A [1] HEADBOARD
- B [2] SIDE RAILS
- C [1] FOOTBOARD
- D [2] SUPPORT SLAT
- E [2] WOODEN PANEL
- F [2] CANOPY RAILS

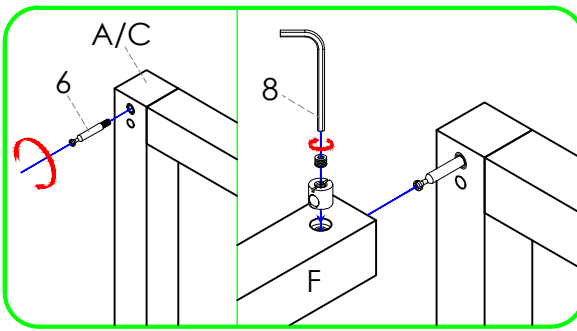


### HARDWARE LIST

NO.	DESCRIPTION		QTY
1		THREADED ROD	8 PCS
2		CURVED WASHER	8 PCS
3		LOCK WASHER	12 PCS
4		HEXAGONAL NUT	8 PCS
5		WRENCH	1 PC
6		MINI FIX BOLT	4 PCS
7		MINI FIX LOCK WITH LOCK	4 PCS
8		ALLEN WRENCH	1 PC
9		SCREW	24 PCS

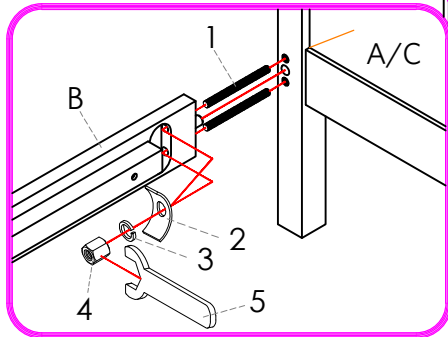


**FIGURE 01**

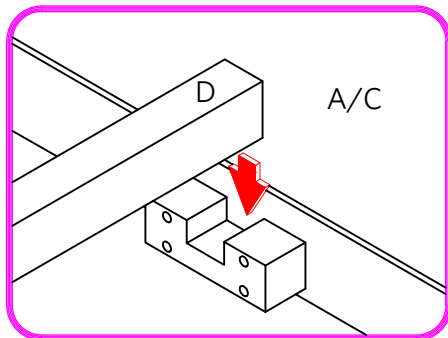


**FIGURE 02**

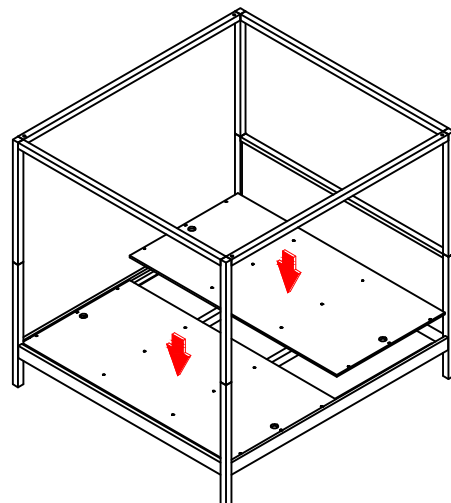
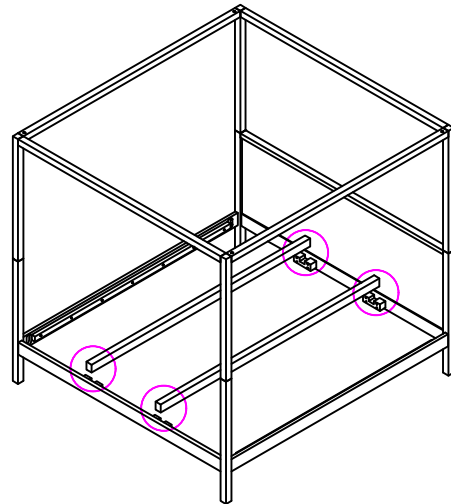
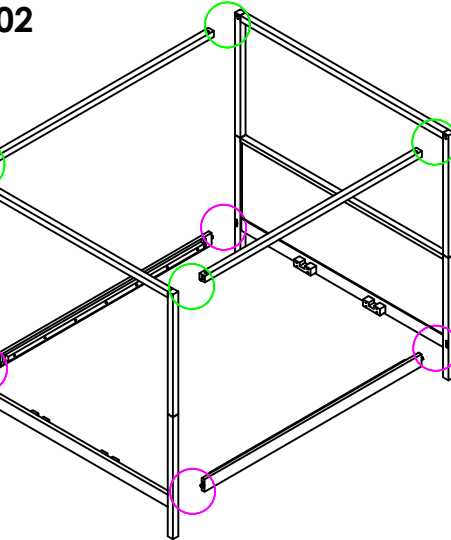
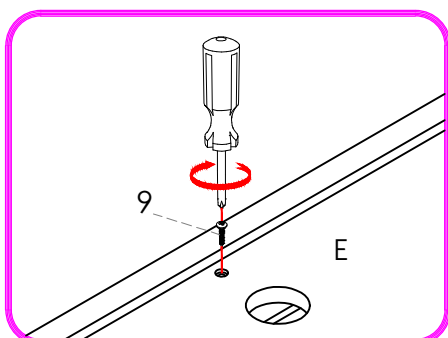
**FIGURE 03**



**FIGURE 04**



**FIGURE 05**



**ASSEMBLY INSTRUCTION**

The bed is composed of several components: The headboard, foot board, side rails, support slats, wooden panel, canopy rail. Determine the intended location and ensure there is enough space to work with and fully read these instructions before physically doing the entire assembly.

**STEP #1:**

Remove the mini fix lock from the mini fix nut (7), as per illustrated in **FIGURE 1**.

**STEP #2:**

Place the headboard (A) upright in the position you wish the bed to be in when fully assembled. The headboard bed fast hardware should be facing inside, toward the mattress. Secure the threaded rod (1) and mini fix bolt (6) to the fixed nut in the headboard (A) by simply turning it manually. Raise the side rail (B), canopy rail (F) and place the rod (1) to align with the bore holes on the end of the side rails (B), place mini fix bolt (6) to align with the bore holes on the end of the canopy rails (F) but before that insert the mini fix nut (7) into each hole on top surface of the canopy rails (F). Use a screwdriver to adjust this nut to make sure the hole on it is inline with the bore hole on the end of the canopy rail. Put the side rails (B) and canopy rails (F) up against the headboard (A) so the threaded rods (1) and mini fix bolt (6) go through the bore holes. Insert curved washer (2), lock washer (3) and place hex nuts (4) on threaded rod (1) then tighten the hex nuts (4) with wrench (5) provided, see **FIGURE 03**. Tighten mini fix lock connect the canopy rails (F) to the HB & FB, see **FIGURE 02**

**STEP #3:**

Repeat the above procedure with the other side rail (B) and canopy rail (F) to attach it to the headboard (A), and then repeat to connect to the footboard (C).

**STEP #4:**

On inside face of both headboard (A) and footboard (C) are pre-installed wooden brackets for the support slat (D). Set the support slat (D) on the wooden brackets, as illustrated in **FIGURE 04**.

**STEP #5:**

Lay the two wooden panels (E) on top of assembled bed and secure these with screws (9) provided as in **FIGURE 05**.

*Thank you for your purchase*