

RM4 LED Wayside Colorlight Signal Modules

8 inch (200 mm)
10V AC / DC



Project Name _____

Date _____ Type _____

Notes _____



OUTSTANDING RELIABILITY

- Self-contained design provides protection against moisture and dust

EXCELLENT APPEARANCE & VISIBILITY

- Robust LED system design enables high luminous intensity over long product life
- Efficient optical system delivers uniform color across both wide- and narrow-beam signals
- Sloped front shell reduces reflections

MEETS RIGOROUS CERTIFICATION & TESTING STANDARDS

- Meets key AREMA standards
- Transport Canada compliant (long-range signals only)
- All lamps undergo comprehensive testing in the manufacturing plant

RM4 - Wayside

RM4 LED Wayside Colorlight Signal Modules

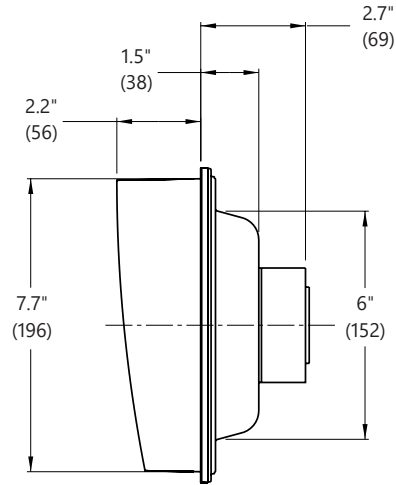
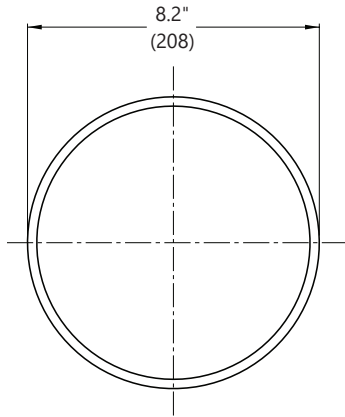
8 inch (200 mm)
10V AC / DC

Project Name _____

Date _____ Type _____

Notes _____

Mechanical Outline Dimensions in inches (mm)



Design Compliance

Characteristic	Compliance
Environmental Limits	AREMA Part 11.5.1 – Class B
Dielectric Requirement	AREMA Part 1.4.1
Electrical Surge Protection	AREMA Part 11.2.1 – Tertiary

Operating Specifications

Parameter	Rating
Operating Temperature	-40 to +70°C (-40 to +158°F)
Operating Voltage	8 to 16 V AC 8 to 20 V DC
Voltage Turn-Off (VTO)	5.3 V AC 7.3 V DC
Power Surge	45 Vrms for 80 ms

Product Information

Model Number	Dominant Wavelength ¹ (nm)	Nominal Power (W) 10V	Peak Intensity ¹ (cd)	Field Angles (10% of peak Intensity)
Mid-Range: Visibility to 2000 ft (600 m)				
● RM4-RSFB-25B	627	7.5	500	40° H x 13° V
● RM4-YCFB-43B	592	14	475	43° H x 21° V
● RM4-GCFB-25B	505	8.5	360	40° H x 13° V
○ RM4-WCFB-25B	-	8	450	40° H x 13° V
Long Range: Visibility to 5000 ft (1500 m)				
● RM4-RSFB-75B	627	7.5	800	20° H x 20° V
● RM4-YCFB-85B	592	14	2300	17° H x 17° V
● RM4-GCFB-75B	505	8.5	800	20° H x 20° V

Options:

-G: 8" (200 mm) gasket.

¹ This is a minimum initial value at T = 25°C.

Distributed by: