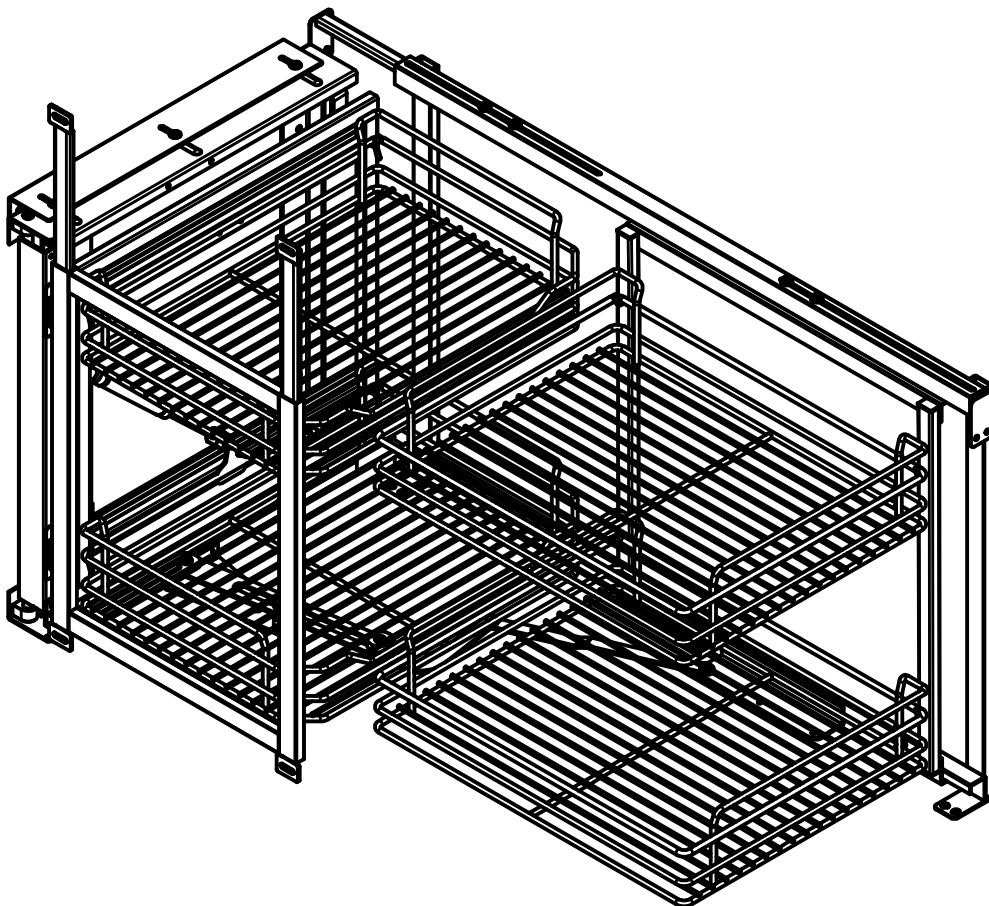


This drawing is the property of Rev-A-Shelf (RAS) and is disclosed in confidence to the extent its subject matter is original to RAS. Any vendor receiving this drawing from RAS shall hold and use this drawing for the sole benefit of RAS and shall not disclose it to, or use or reproduce it for any third party, or perform any act adverse to the interest of RAS with respect to this drawing without the express written permission of RAS. Vendors shall not revise any physical, dimensional or performance characteristic unless authorized by Rev-A-Shelf Engineering.

REV.	DATE	BY	DESCRIPTION OF CHANGE

AMERICAN INCH PROJECTION 	DEC. .XX ± .03 [.8mm] (OTHER) .XX ± .02 [.5mm] (ALL) .XXX ± .005 [.13 mm] FRACTIONS ± 1/32 [.8 mm]	ANGLES ± 1/2°	BY	DATE	REV-A-SHELF, INC. SIZE 18" WIRE BOTTOM TWO-TIER B BLIND CORNER OPTIMIZER
			DRAWN	JOE	
MATERIAL			DRAWING NO.		SCALE
FINISH			PART NO.		SHEET OF
			5707-18		1 3

CUSTOMER DRAWING



PART DIMENSIONS		
	MIN	MAX
WIDTH	39[990.6]	48[1219.2]
DEPTH	20.12[511]	20.12[511]
HEIGHT	21.39[543.4]	28.5[723.9]
WEIGHT		
DIAMETER		
RADIUS		
CONTAINER CAPACITY		
CONTAINER UOM		

MIN CABINET OPENING	
WIDTH	18[457.2]
DEPTH	20.25[514]
HEIGHT	21.50[521]

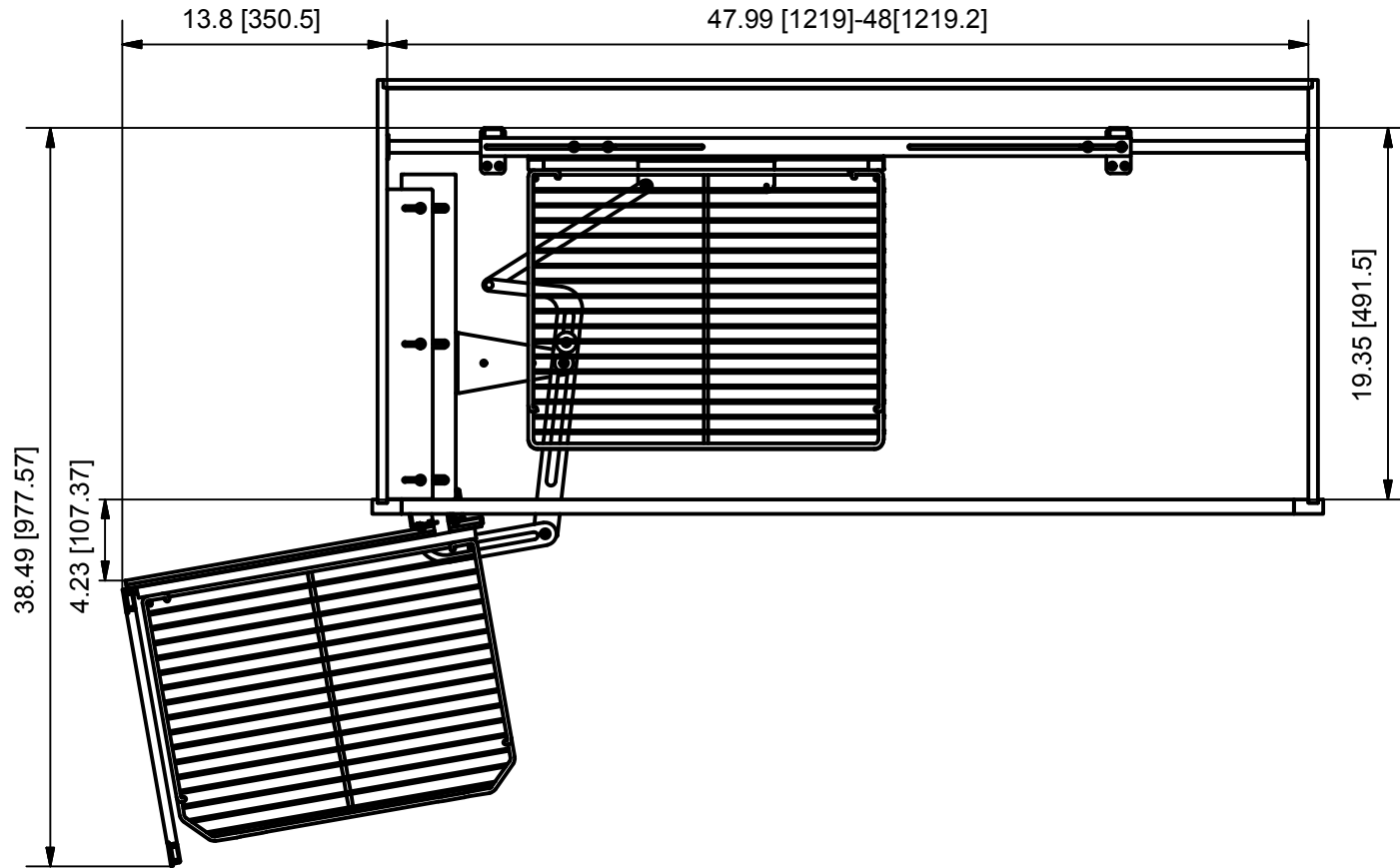
PRODUCT MAX WEIGHT RATING

CUSTOMER DRAWING

This drawing is the property of Rev-A-Shelf (RAS) and is disclosed in confidence to the extent its subject matter is original to RAS. Any vendor receiving this drawing from RAS shall hold and use this drawing for the sole benefit of RAS and shall not disclose it to, or use or reproduce it for any third party, or perform any act adverse to the interest of RAS with respect to this drawing without the express written permission of RAS. Vendors shall not revise any physical, dimensional or performance characteristic unless authorized by Rev-A-Shelf Engineering.

REV.	DATE	BY	DESCRIPTION OF CHANGE

INCH [MM]	AMERICAN PROJECTION 	BY	DATE	REV-A-SHELF, INC.
		DRAWN	JOE 13.12.25	
				SIZE 18" WIRE BOTTOM TWO-TIER B BLIND CORNER OPTIMIZER
TOLERANCES				MATERIAL
MAT. (WOOD) .XX ± .03 [.8mm] (OTHER) .XX ± .02 [.5mm] (ALL) .XXX ± .005 [.13 mm] FRACTIONS ± 1/32 [.8 mm]				
ANGLES ± 1/2°				DRAWING NO.
FINISH				
REV.				PART NO. 5707-18
DESCRIPTION OF CHANGE				SHEET OF 2 3



CUSTOMER DRAWING

This drawing is the property of Rev-A-Shelf (RAS) and is disclosed in confidence to the extent its subject matter is original to RAS. Any vendor receiving this drawing from RAS shall hold and use this drawing for the sole benefit of RAS and shall not disclose it to, or use or reproduce it for any third party, or perform any act adverse to the interest of RAS with respect to this drawing without the express written permission of RAS. Vendors shall not revise any physical, dimensional or performance characteristic unless authorized by Rev-A-Shelf Engineering.

REV.	DATE	BY	DESCRIPTION OF CHANGE

INCH [MM]	AMERICAN PROJECTION		BY	DATE	
			DRAWN	JOE	
TOLERANCES (WOOD) .XX ± .03 [.8mm] (OTHER) .XX ± .02 [.5mm] (ALL) .XXX ± .005 [.13 mm] FRACTIONS ± 1/32 [.8 mm]			MATERIAL	DRAWING NO.	SCALE
ANGLE ± 1/2°			FINISH	PART NO.	SHEET OF
SIZE B			18" WIRE BOTTOM TWO-TIER BLIND CORNER OPTIMIZER		5707-18 3 3