

Select TX™ Gen3



LED Lighting System

Installation Guide

12
Volt

GESEV65-3, GESES65-3, GESEM65-3,
GESEL65-3, GESEMRD-2, GESEMBL-2,
GESEMGL-2



BEFORE YOU BEGIN

Read these instructions completely and carefully.

⚠ WARNING/AVERTISSEMENT

RISK OF ELECTRIC SHOCK

- Turn power off before inspection, installation or removal.
- Properly ground GE power supply enclosure.

RISK OF FIRE

- Use only UL approved wire for input/output connections. Minimum size 18 AWG (0.82mm²)
- Follow all NEC and local codes.
- Not to be submerged or used in a marine environment.

RISK OF FIRE OR ELECTRIC SHOCK

- LED Retrofit Kit installation requires knowledge of sign electrical systems. If not qualified, do not attempt installation. Contact a qualified electrician.
- Install this kit only in host signs that have been identified in the installation instructions and where the input rating of the retrofit kit does not exceed the input rating of the sign.
- Installation of this LED retrofit kit may involve drilling or punching of holes into the structure of the sign. Check for enclosed wiring and components to avoid damage to wiring and electrical parts.
- Do not make or alter any open holes in an enclosure of wiring or electrical components during kit installation.

RISQUES DE DÉCHARGES ÉLECTRIQUES

- Coupez l'alimentation avant l'inspection, l'installation ou le déplacement.
- Assurez-vous de correctement mettre à terre l'alimentation électrique GE.

RISQUES D'INCENDIE

- N'utilisez que des fils approuvés par UL pour les entrées/sorties de connexion. Taille minimum 18 AWG (0.82mm²)
- Respectez tous les codes NEC et codes locaux.
- Ne pas submerger ou installer dans un environnement marin.

RISQUE D'INCENDIE OU DE CHOC ÉLECTRIQUE

- L'installation de l'équipement de remplacement DEL exige la connaissance des systèmes électriques pour enseignes. Si non qualifié, ne tentez pas d'installation. Veuillez contacter un électricien qualifié.
- Risque d'incendie ou de choc électrique. Installez cet ensemble seulement dans des enseignes hôtes qui ont été identifiés dans les instructions d'installation et dont la capacité d'entrée de l'ensemble ne dépasse pas la capacité d'entrée de l'enseigne.
- L'installation de cet équipement de remplacement DEL peut impliquer le perçage ou le poinçonnage de trous dans la structure du panneau. Vérifiez le câblage et les composants inclus pour éviter d'endommager le câblage et les composants électriques.
- Ne pas faire ou modifier les trous ouverts dans une enceinte de câblage ou de composants électriques pendant l'installation de cet équipement de remplacement DEL.

Prepare Electrical Wiring

Electrical Requirements



- Acceptable for use in dry and damp locations.
- The grounding and bonding of the LED Driver shall be done in accordance with National Electric Code (NEC) Article 600.
- Follow all National Electric Codes (NEC) and local codes.
- These products are only suitable for connection to a circuit from a Class 2 power source.
- These products have not been evaluated for use when connected to a power source that does not comply with Class 2 voltage and energy limited supplies.

This device complies with part 15 of the FCC Rules. Operation is subject to the following two conditions: (1) This device may not cause harmful interference, and (2) this device must accept any interference received, including interference that may cause undesired operation.

Note: This equipment has been tested and found to comply with the limits for a Class A digital device, pursuant to part 15 of the FCC Rules. These limits are designed to provide reasonable protection against harmful interference when the equipment is operated in a commercial environment. This equipment generates, uses, and can radiate radio frequency energy and, if not installed and used in accordance with the instruction manual, may cause harmful interference to radio communications. Operation of this equipment in a residential area is likely to cause harmful interference in which case the user will be required to correct the interference at his own expense.

This Class [A] RFLD complies with the Canadian standard ICES-005. Ce DEFR de la classe [A] est conforme à la NMB-005 du Canada.

Save These Instructions

Use only in the manner intended by the manufacturer. If you have any questions, contact the manufacturer.

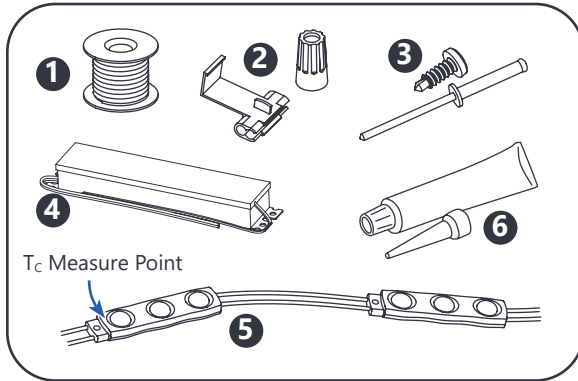


RETROFIT SIGN CONVERSION LED KIT FOR USE ONLY IN ACCORDANCE WITH KIT INSTRUCTIONS. KIT IS COMPLETE ONLY WHEN ALL PARTS REQUIRED BY THE INSTRUCTIONS ARE PRESENT.

TROUSSE DE CONVERSION À DEL POUR LA MODERNISATION DES ENSEIGNES À UTILISER CONFORMÉMENT AU GUIDE D'INSTALLATION.

GE current
a Daintree company

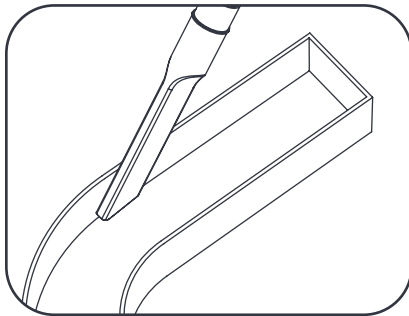
Components



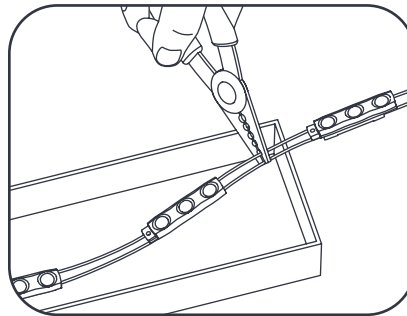
- 1 UL approved 18 AWG (0.82 mm²) supply wire
- 2 UL approved 22-14 AWG (0.33-2.08 mm²) wire connectors or 22-18 AWG (0.33-0.82 mm²) in-line/IDC connectors. **NOTE: Do not use connectors pre-filled with dielectric grease.**
- 3 #4 or #6 (M3) screws, 1/8 inch (3.2 mm) rivets, or electronic grade RTV silicone or equivalent
- 4 GE 12VDC Class 2 Power Supply
- 5 Select TX™ Gen3 LED Module (GESEM65-3 for example)
- 6 Electrical grade RTV silicone.
 - Example electrical grade RTV silicones include:**
 - Momentive RTV 6700 Series Silicone Rubber Adhesive Sealant
 - Momentive White Blanc RTV 162 Silicone Rubber Adhesive Sealant-Electrical Grade
 - Dow Corning 3140 - Non-Corrosive Flowable (clear)
 - Dow Corning 3145 - Non-Corrosive Nonflowable (clear or gray)
 - Dow Corning RTV 748 Non-Corrosive Sealant-White

Layout Modules

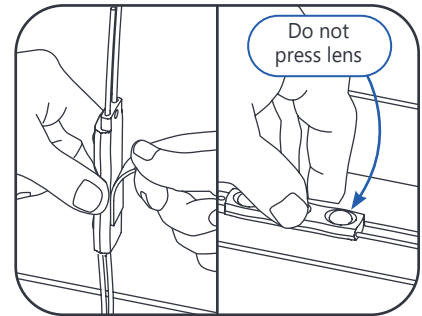
(The GESEM65-3 module is pictured below, however the instructions are applicable across the entire Select TX™ Gen3 family of modules.)



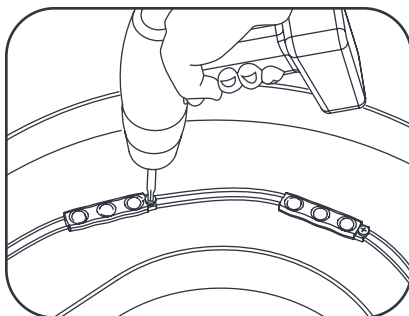
- 1 Before you begin, clean surfaces and remove all debris from the inside of the channel letter. Clean the surfaces with a 50:50 mixture of isopropyl alcohol (IPA) and water and let dry.



- 2 Measure and cut Select TX™ LED strip to the appropriate length for each letter. Cuts can be made between any of the modules.

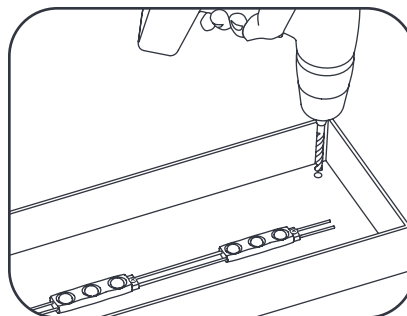


- 3 Remove tape backing and stick LED modules into place. When using tape apply approximately 15 psi pressure on the module (avoid the lens dome surface) for 5 seconds, full bonding strength after 24 hours. Continue until you have reached the end of the strip.

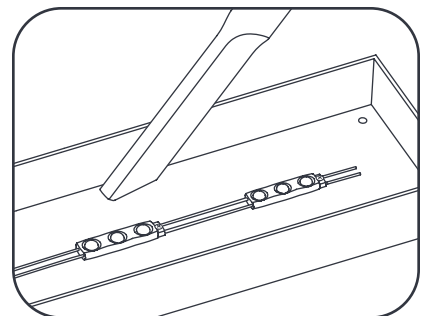


- 4 Use rivets, screws, or electrical grade RTV silicone to secure at least every third LED module within the channel letter. Use #6 (M3) or #4 pan headed metal screws, 1/8-inch (3.2 mm) rivets, or electrical grade RTV silicone.

NOTE: Modules may be damaged by improperly sized screws or over-torquing.



- 5 Drill a 1/4-inch (6.4 mm) hole near the LED strip and grommet the hole for supply wire access.

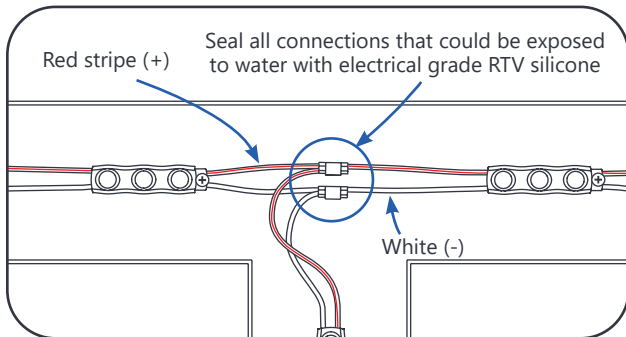


- 6 Remove all debris from the inside of the channel letter and replace the sign face.

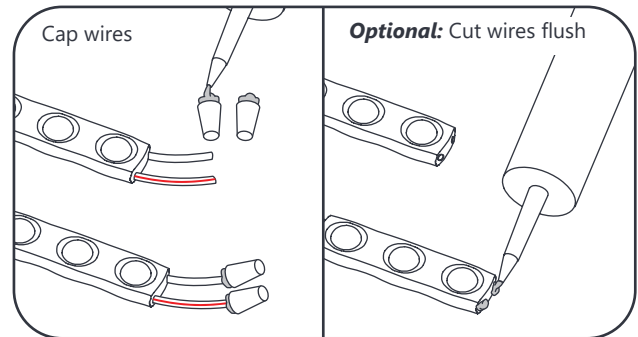
NOTE: For halo-lit applications LED modules should be mounted on UL recognized clear acrylic or polycarbonate. The light output from the LED system should be directed back into the sign enclosure. This will allow for uniform backlighting of the sign and will provide simple mounting.

Electrical Connections

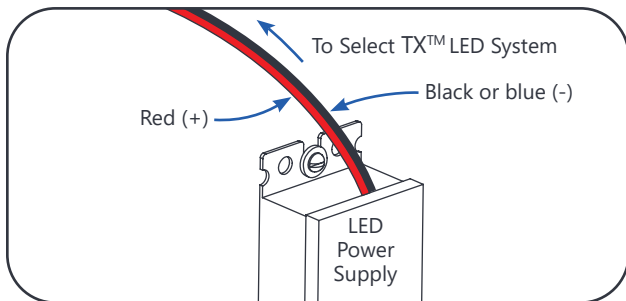
NOTE: Do not use connectors pre-filled with silicone grease/mineral base protective grease or use silicone grease to seal connections.



- 1 Connect LED strips using in-line (IDC) connectors or twist-on wire connectors.

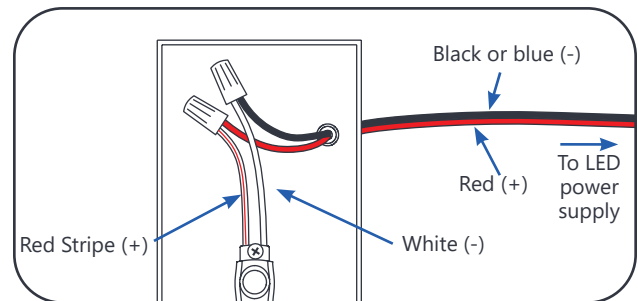


- 2 Must cap all exposed wires with appropriate wire connectors and seal with electrical grade RTV silicone.
Optional: Cut wires flush to the module and seal with electrical grade RTV silicone.



- 3 Run a wire from the LED Power Supply to each channel letter and connect to the first LED module on the strip.
Must be used with **Tetra®** or **Select 12 Volt Power Supplies**.

NOTE: Refer to **Maximum Loading & Remote Mounting Specifications** on page 4.



- 4 Connect the red stripe wire (+) of the LED strip to the red wire (+) of the power supply. Connect the white wire (-) of the LED strip to the black or blue wire (-) of the LED power supply.

NOTE: All electrical connections should be suitably protected from mechanical damage and the environment. Seal all connections in locations that may be exposed to water with electrical grade RTV silicone.

Retrofit Instructions

1. **(Existing Signs Only)** Prior to installation, survey the site for information regarding power and accessibility inside and outside the building. Ensure that the branch circuit supplying the existing transformer or ballast will be within the voltage ratings of the new LED power supply, and have a current rating not exceeding 20A, or that permitted by applicable local, state, or country electrical codes (whichever is less).
2. **(Existing Signs Only)** Remove the existing lighting equipment to be replaced, such as neon tubing or fluorescent tubes; and associated transformers and ballasts. Care should be taken not to break the existing neon or fluorescent tubes. **NOTE:** Follow all federal and local regulations when disposing of neon tubing, fluorescent tubes, transformers and ballasts.
3. **(Existing Signs Only)** If removal of the existing lighting equipment eliminates the disconnect switch, as required by applicable local, state, or country electrical codes; a new disconnect switch must be installed.
4. **(Existing Signs Only)** Repair and seal any unused openings in the electrical enclosure. Openings greater than 12.7-mm (1/2-in) diameter require a metal patch secured by screws or rivets and caulked with non-hardening caulk. Smaller openings may be sealed with non-hardening caulk.
5. A clean and dry mounting surface ensures optimum adhesion if the self-adhesive method of mounting is chosen. Follow the manufacturer's directions when using a non-oil based solvent, such as rubbing alcohol to clean the surface area where you intend to mount the module. Before installing, ensure the surface is dry.
6. Using the layout guidelines above, determine required number of LED modules required to illuminate the sign.
7. A 12VDC GE Power Supply, as listed below, must be used with this retrofit kit. Using the Maximum Loading chart below, determine the number of 12VDC GE Power Supplies required to power the number of LED modules required to illuminate the sign, so as not to overload the 12VDC GE Power Supply chosen.
8. Follow the instructions above to properly mount the LED modules.
9. Connect the DC output of the power supply to the LED modules using the Electrical Connections instructions above.
10. Connect the power unit to the supply in accordance with the applicable local, state, and country electrical codes, and the instructions found in the power supply installation guide.
11. If required, the disconnect switch shall be installed by qualified personnel, in accordance with applicable local, state, and country electrical codes.

Troubleshooting

| Symptom | Solution |
|---|---|
| All letters are OFF | <ul style="list-style-type: none"> Check AC input connection and/or check circuit breaker. Check wire connection(s) at the Select TX™ LED System and power supply for improper termination(s) or short circuits. Properly terminate or replace the wire connection(s). Check that connections are the red striped wire (+) of the LED strip to the red wire (+) of the power supply and the white wire (-) of the LED strip to the black or blue wire (-) of the power supply. |
| Some LEDs appear dim | <ul style="list-style-type: none"> Ensure the overall length of the Select TX™ LED System does not exceed the maximum load. Ensure the length of supply wire is equal to or below the recommended remote mounting distance. |
| Some of the letters are not illuminated | <ul style="list-style-type: none"> Check wire connection(s) at the Select TX™ LED System and power supply for improper termination(s) or short circuits. Properly terminate or replace the wire connection(s). Check that connections are the red striped wire (+) of the LED strip to the red wire (+) of the power supply and the white wire (-) of the LED strip to the black or blue wire (-) of the power supply. |
| Shadows | <ul style="list-style-type: none"> Re-route supply wire and secure to the back of the can with electrical grade RTV silicone. Adjust wire connector orientation so that it does not cover any LEDs. Adjust LED layout to ensure uniformity of illumination on the face of the letter. |

Tips

- For optimal light uniformity in halo-lit applications the Select TX™ Gen3 LED modules should be mounted on UL recognized plastic and the light output from the Select TX™ Gen3 LED system should be directed back into the sign enclosure. This will allow for uniform backlighting of the sign and will provide simple mounting for the Select TX™ LED system.
- A best practice for the supply wire at the point at which it is brought into the sign is to have a drip loop on the inside of the letter to keep water from collecting on the Select TX™ LED strip.
- The suitability of rain enclosure shall be determined if intended for wet location.

Specifications

Maximum loading per 12V DC GE power supply GEPS12-60U-NA, GEPS12SE-60U-NA, GEPS12-60U-GL

| SKU | Rating | 60W Power Supply <i>Note: Shall not exceed 5A</i> |
|-----------|----------------------------------|--|
| GESEV65-3 | 12VDC, 33.3mA/Module0.4W/Module | 150 modules/ 60 ft. (18.3 m) |
| GESES65-3 | 12VDC, 66.6mA/Module0.8W/Module | 76 modules/44.7 ft. (13.6 m) |
| GESEM65-3 | 12VDC, 100mA/Module1.2W/Module | 50 modules/33.4 ft. (10.2 m) |
| GESEL65-3 | 12VDC, 133.3mA/Module1.6W/Module | 38 modules/25.3 ft. (7.7 m) |
| GESEMRD-2 | 12VDC, 43mA/Module0.516W/Module | 100 modules/66.67 ft. (20.32 m) |
| GESEMBL-2 | 12VDC, 65mA/Module0.78W/Module | 60 modules/40 ft. (12.19 m) |
| GESEMGL-2 | 12VDC, 56mA/Module0.672W/Module | 80 modules/53.33 ft. (16.26 m) |

NOTE: For linear long runs, center connection to the LED strip is recommended to minimize voltage drop. For any custom loading requirements on Select TX products please contact your Regional Sales Manager.

Maximum Remote Mounting Distance from Driver Output

| | 18 AWG/0.82 mm ² Supply Wire | 16 AWG/1.31 mm ² Supply Wire | 14 AWG/2.08 mm ² Supply Wire | 12 AWG/3.31 mm ² Supply Wire |
|------------------|--|--|--|--|
| 60W Power Supply | 20 ft./6.1 m | 25 ft./7.6 m | 35 ft./10.6 m | 40 ft./12.1 m |

This product is intended solely for the use of non-residential signage lighting and is not intended for use in any other applications.

Conforms to the following standards: IP66

LED modules are not suitable for prolonged submersion or direct exposure to water and must be protected from the weather.

Acceptable for use in dry and damp locations

The suitability of rain enclosure shall be determined if intended for wet location.

