

CUSTOMER DRAWING

This drawing is the property of Rev-A-Shelf (RAS) and is disclosed in confidence to the extent its subject matter is original to RAS. Any vendor receiving this drawing from RAS shall hold and use this drawing for the sole benefit of RAS and shall not disclose it to, or use or reproduce it for any third party, or perform any act adverse to the interest of RAS with respect to this drawing without the express written permission of RAS. Vendors shall not revise any physical, dimensional or performance characteristic unless authorized by Rev-A-Shelf Engineering.

| | | | | | | |
|-----------|------|---------------------|-----------------------|--------------|-------------------|------------------------|
| INCH [MM] | | AMERICAN PROJECTION | BY KRR | DATE 5-28-19 | REV-A-SHELF, Inc. | |
| | | | DRAWN | | SIZE B | 12" DOUBLE WIRE BASKET |
| | | | | | DRAWING NO. | SCALE 0.200 |
| | | | | | 5WB2-1218CR-1 | |
| | | | | | PART NO. | SHEET 1 OF 2 |
| | | | | | 5WB2-1218CR-1 | |
| REV. | DATE | BY | DESCRIPTION OF CHANGE | | | |

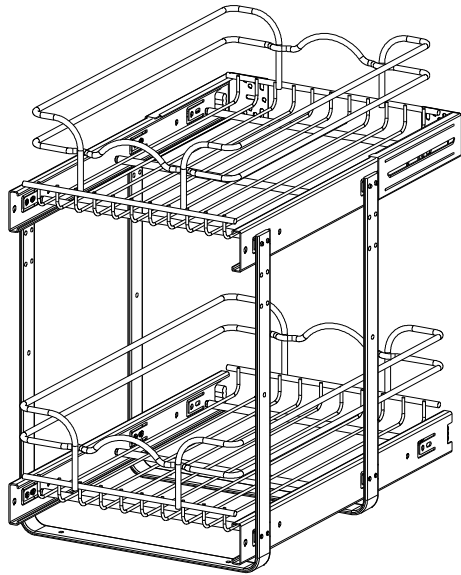
| | |
|-------------|----------------------|
| TOLERANCES | |
| MAT. (WOOD) | DEC. XX ±.03 [.8mm] |
| (OTHER) | .XX ±.02 [.5mm] |
| (ALL) | .XXX ±.005 [0.13 mm] |
| FRACTIONS | ±1/32 [.8 mm] |

ANGLES ±1/2°

MATERIAL FINISH

DRAWING NO. 5WB2-1218CR-1

SCALE 0.200



| PART DIMENSIONS | | |
|--------------------|-------|-------|
| | MIN | MAX |
| WIDTH | 11.68 | |
| DEPTH | 18.50 | 24.00 |
| HEIGHT | 16.25 | 19.00 |
| CONTAINER CAPACITY | | |
| CONTAINER UOM | | |

| MIN CABINET OPENING | | | | |
|---------------------|------------|-----------|------------------|-----------------|
| | FACE FRAME | FRAMELESS | INSET FACE FRAME | INSET FRAMELESS |
| WIDTH | 11.50 | 11.75 | 11.50 | 11.75 |
| DEPTH | 18.50 | 18.50 | 19.25 | 19.25 |
| HEIGHT | 19.50 | 19.50 | 19.50 | 19.50 |

| SLIDE SPECIFICATIONS | | | | |
|----------------------|--------|---------------------|---------------|-------------------|
| SLIDE MANUFACTURER | | RELEASE PART NUMBER | | |
| SLIDE PART NUMBER | | SLIDE TYPE | BALL BEARING | |
| SLIDE CLOSING | NORMAL | SLIDE EXTENSION | FULL | MAX WEIGHT RATING |
| SLIDE MOUNTING | BOTTOM | SLIDE LENGTH | 17.72 [450MM] | |
| | | SLIDE FINISH | ZINC | 100 LB |

CUSTOMER DRAWING

This drawing is the property of Rev-A-Shelf (RAS) and is disclosed in confidence to the extent its subject matter is original to RAS. Any vendor receiving this drawing from RAS shall hold and use this drawing for the sole benefit of RAS and shall not disclose it to, or use or reproduce it for any third party, or perform any act adverse to the interest of RAS with respect to this drawing without the express written permission of RAS. Vendors shall not revise any physical, dimensional or performance characteristic unless authorized by Rev-A-Shelf Engineering.

| REV. | DATE | BY | DESCRIPTION OF CHANGE |
|------|------|----|-----------------------|
| | | | |
| | | | |
| | | | |

| | | | | |
|--|---------------------|-------|------|-------------------|
| INCH [MM] | AMERICAN PROJECTION | BY | DATE | REV-A-SHELF, Inc. |
| | | DRAWN | KRR | |
| MATERIAL | | | | SIZE |
| FINISH | | | | DRAWING NO. |
| TOLERANCES | | | | SCALE |
| MAT. DEC. (WOOD) .XX ±.03 [.8mm] (OTHER) .XX ±.02 [.5mm] (ALL) .XX ±.005 [0.13 mm] FRACTIONS ±1/32 [.8 mm] | | | | PART NO. |
| ANGLES ±1/2° | | | | SHEET |
| | | | | 2 OF 2 |