

# Lumination® LEX Series

## LEX Exit Sign



CUSTOMER NAME \_\_\_\_\_

Project Name \_\_\_\_\_

Date \_\_\_\_\_ Type \_\_\_\_\_

Catalog Number \_\_\_\_\_

The Lumination® LEX LED Exit Sign Series is available in a variety of housing and face panel styles, finish and letter colors, and options for either integral battery back-up or hard-wired. Code-specific models are also available\*. To complete your projects, matching accessories are offered separately.

\*CA T20 & New York City code compliant available now, City of Chicago – coming soon.

## ProLine®

### CONSTRUCTION

- Housing:**
  - Thermoplastic: 5VA flame retardant, high impact curved design
  - Steel: 20-gauge
- Lens:** Thermoplastic & Steel: Thermoplastic face panels
- Paint:** White or Black Power Coat Painted (Steel models only)
- Weight:** Thermoplastic: 1.5 - 1.6lbs  
Steel: 8.3 - 8.5lbs

### OPTICAL SYSTEM

- Distribution:** Universal Single/Double Face (Thermoplastic & Steel)
- Color:**
  - Red or Green LEDs
  - NYC: Red 8-inch EXIT letters

### ELECTRICAL

- Input Voltage:** Universal 120-277V
- Input Frequency:** 60Hz
- Input Wattage / Amperage (no options):** Thermoplastic:
  - 1.0W / 0.09A
 Steel (NYC):
  - 5.0W (120V & 277V) / 0.041A (120V), 0.018A (277V)
- Battery:** Rechargeable NiCd Battery (EM Models)
  - Thermoplastic Model: 1.2V min 90-minute emergency illumination
  - Steel (NYC): 3.6V min 90-minute emergency illumination

### CODES

MEETS UL924, NFPA 101 LIFE SAFETY CODE, NEC, OSHA, LOCAL AND STATE CODES	
<b>Standard:</b>	Thermoplastic
<b>NYC:</b>	Steel
<b>California:</b>	Thermoplastic

### OPERATING AMBIENT TEMPERATURE

Product ID	OPERATING TEMPERATURE
LEX	0° - +50° C (UL Damp rating)

### MOUNTING

- Thermoplastic:
  - Easy snap mounting canopy included for top or end mount.
  - Universal KO pattern on back plate for wall mount.
  - Snap-out chevron directional indicators.
- Steel:
  - Mounting canopy provided for top or end mount.
  - Top and side KOs provided for conduit feed applications.
  - Snap-out chevron directional indicators.

### DESIGN LIFE & WARRANTY

- Charge rate/power "ON" LED indicator light and push-to-test switch for mandated code compliance testing.
- Internal solid-state transfer switch automatically connects the internal battery to LED board for minimum 90-minute emergency illumination.
- Fully automatic solid-state, two rate charger initiates battery charging to recharge a discharged battery in 24 hours.
- Current's Limited 5-year Warranty: Please refer to document **IND699** for more information.



# Lumination® LEX Series

## LEX Exit Sign

### Ordering Information

#### CUSTOMER NAME

Project Name \_\_\_\_\_

Date \_\_\_\_\_ Type \_\_\_\_\_

Catalog Number \_\_\_\_\_

MATERIAL NUMBER	CATALOG LOGIC	MATERIAL DESCRIPTION
<b>THERMOPLASTIC<sup>1</sup></b>		
93144696	LEXPWREM	Thermoplastic Exit Sign, <b>Red</b> Letters, <b>White</b> Housing, Battery Backup
93144697	LEXPWRA0	Thermoplastic Exit Sign, <b>Red</b> Letters, <b>White</b> Housing, AC only
93144698	LEXPWGEM	Thermoplastic Exit Sign, <b>Green</b> Letters, <b>White</b> Housing, Battery Backup
93144699	LEXPWGA0	Thermoplastic Exit Sign, <b>Green</b> Letters, <b>White</b> Housing, AC only
93144700	LEXPBREM	Thermoplastic Exit Sign, <b>Red</b> Letters, <b>Black</b> Housing, Battery Backup
93144741	LEXPBRA0	Thermoplastic Exit Sign, <b>Red</b> Letters, <b>Black</b> Housing, AC only
93144742	LEXPBGEM	Thermoplastic Exit Sign, <b>Green</b> Letters, <b>Black</b> Housing, Battery Backup
93144743	LEXPBGA0	Thermoplastic Exit Sign, <b>Green</b> Letters, <b>Black</b> Housing, AC only
<b>STEEL - CODE SPECIFIC<sup>2</sup></b>		
93144754	LEXSTWREMNY	New York City Compliant Steel Exit Sign, Universal Double/Single Face, <b>Red</b> Letters, <b>White</b> Housing, Battery Backup
93144755	LEXSTWRA0NY	New York City Compliant Steel Exit Sign, Universal Single/Double Face, <b>Red</b> Letters, <b>White</b> Housing, AC Only
93144756	LEXSTBREMNY	New York City Compliant Steel Exit Sign, Universal Single/Double Face, <b>Red</b> Letters, <b>Black</b> Housing, Battery Backup
93144757	LEXSTBRA0NY	New York City Compliant Steel Exit Sign, Universal Single/Double Face, <b>Red</b> Letters, <b>Black</b> Housing, AC Only

#### Notes:

1. Thermoplastic models are CA CEC T20 compliant
2. City of Chicago – coming soon

#### Ordering Notes:

- More options available, contact manufacturer for quote
- ALWAYS REFER TO INSTALLATION GUIDES FOR PRODUCT COMPATIBILITY AND PROPER INSTALLATION PROCESS

# Lumination® LEX Series

LEX Exit Sign

## Dimensions

### CUSTOMER NAME

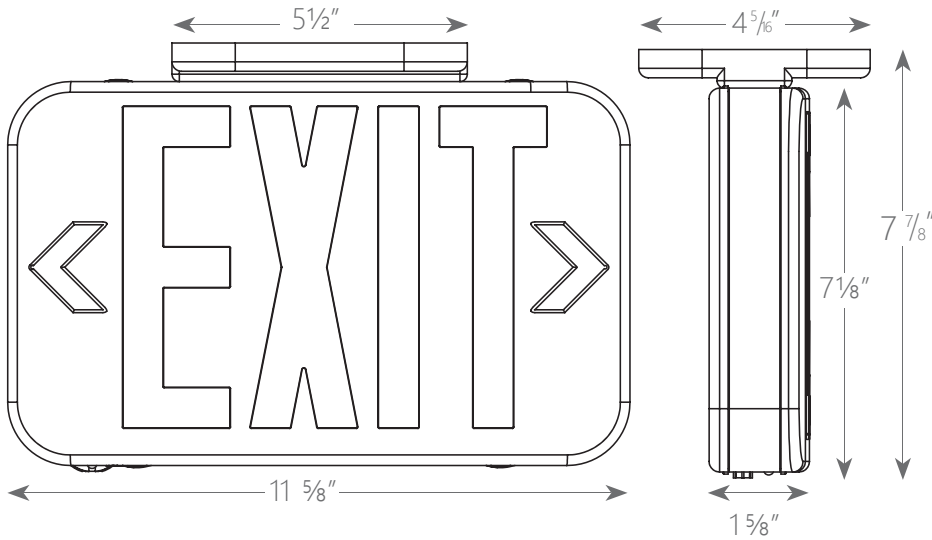
Project Name \_\_\_\_\_

Date \_\_\_\_\_ Type \_\_\_\_\_

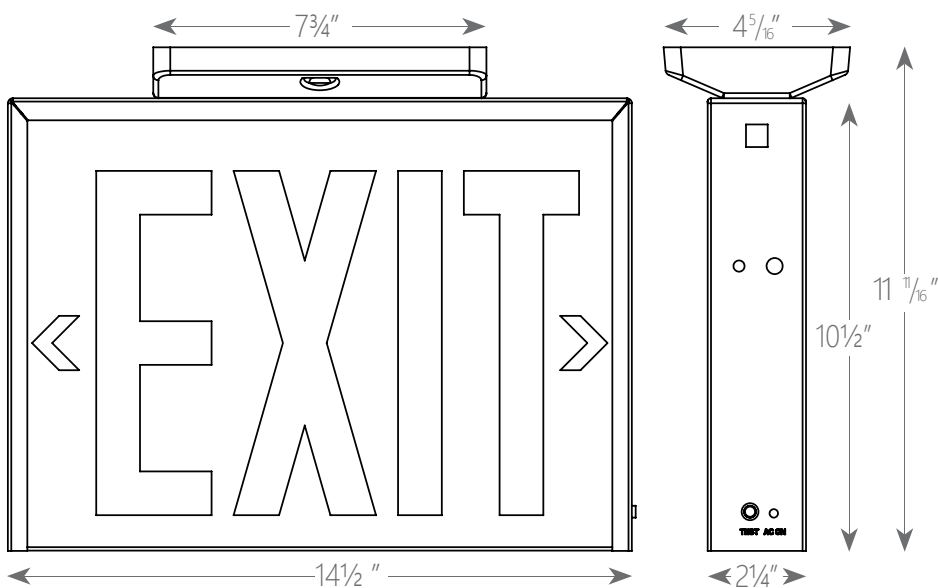
Catalog Number \_\_\_\_\_

## MODELS

### Thermoplastic (Standard & CA CEC T20):



### Steel (NYC):



# Lumination® LEX Series

LEX Exit Sign

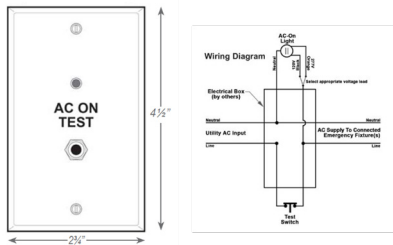
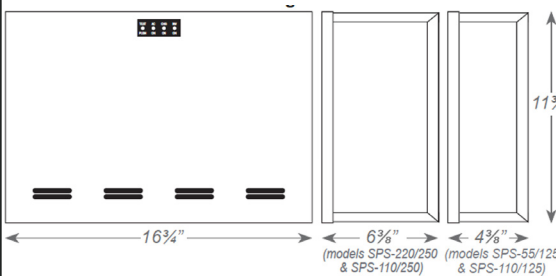
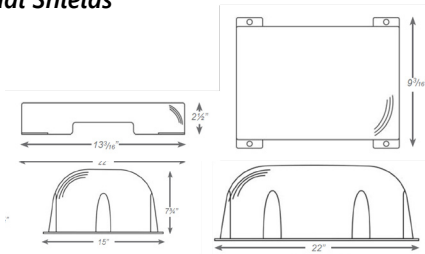

## Accessories

AGENT/DISTRIBUTOR NAME-LOGO \_\_\_\_\_

Project Name \_\_\_\_\_

Date \_\_\_\_\_ Type \_\_\_\_\_

Catalog Number \_\_\_\_\_

ACCESSORY TYPE	CATALOG LOGIC	SPECIFICATION NOTES
<p><b>Remote Test Switch</b></p> 	<p><b>SKU# 93144798</b> LEARTS</p>	<ul style="list-style-type: none"> <li>• Field selectable 120V or 277V.</li> <li>• Power "ON" LED indicator light and push-to-test switch for mandated code compliance testing.</li> <li>• Remote Test Switch can be mounted to any standard switch box, and suitable for wall or ceiling mount.</li> <li>• Injection-molded, engineering grade, V-0 flame retardant mounting plate in white finish.</li> </ul>
<p><b>Surface Mount Inverters</b></p> 	<p><b>SKU# 93144805</b> LEAI1 (110W/125VA)</p> <p><b>SKU# 93144806</b> LEAI2 (220W/250VA)</p>	<ul style="list-style-type: none"> <li>• Pulse width modulated (PWM) output design provides clean, 60 Hz, sinusoidal emergency power to loads.</li> <li>• Input             <ul style="list-style-type: none"> <li>◦ Input Voltages: 120 or 277VAC ±10%</li> <li>◦ Input Frequencies: 60Hz ±2%</li> <li>◦ Input Protection: AC Line Fuses</li> </ul> </li> <li>• Output             <ul style="list-style-type: none"> <li>◦ Output Voltages: (60Hz) 120 or 277VAC</li> <li>◦ Efficiency Rating: 98% at full rated load (line)</li> <li>◦ Waveform: Sinusoidal (digitally controlled)</li> <li>◦ Static Voltage: ±5% during battery discharge. 0-100% linear load.</li> <li>◦ Output Frequencies: 60Hz. ±0.3Hz during emergency cycle</li> <li>◦ Output Distortion: Less than 3% THD (linear load)</li> <li>◦ Transfer Time: Less than 1.0 second</li> <li>◦ Load Power Factor Range: 0.44 Lead to 0.44 Lag</li> <li>◦ Minimum Loading: 0% of rated system capacity</li> <li>◦ Output Protection: Line and inverter fuses</li> </ul> </li> </ul>
<p><b>Vandal Shields</b></p> 	<p><b>SKU# 93144799</b> LEAVSS1 (Thermoplastic models)</p> <p><b>SKU# 93144800</b> LEAVSS2 (Thermoplastic &amp; Steel models)</p>	<ul style="list-style-type: none"> <li>• High-impact resistant polycarbonate material.</li> <li>• Mounting hardware provided for easy installation in the field.</li> </ul>
<p><b>Wire Guards</b></p> 	<p><b>SKU# 93144803</b> LEAWGS1 (Thermoplastic &amp; Steel Models)</p>	<ul style="list-style-type: none"> <li>• Durable 9-gauge steel construction.</li> <li>• Mounting hardware provided for easy installation in the field.</li> </ul>

**Ordering Notes:**

- More options available, contact manufacturer for quote
- ALWAYS REFER TO INSTALLATION GUIDES FOR PRODUCT COMPATIBILITY AND PROPER INSTALLATION PROCESS

**ProLine®**

Every contractor deserves a Fast, Reliable, and Trusted Lighting Partner



**For Product or Technical Questions:**

Email: [lightingproinfo@gecurrent.com](mailto:lightingproinfo@gecurrent.com)

Phone: +1 888 694 3533, option 2