

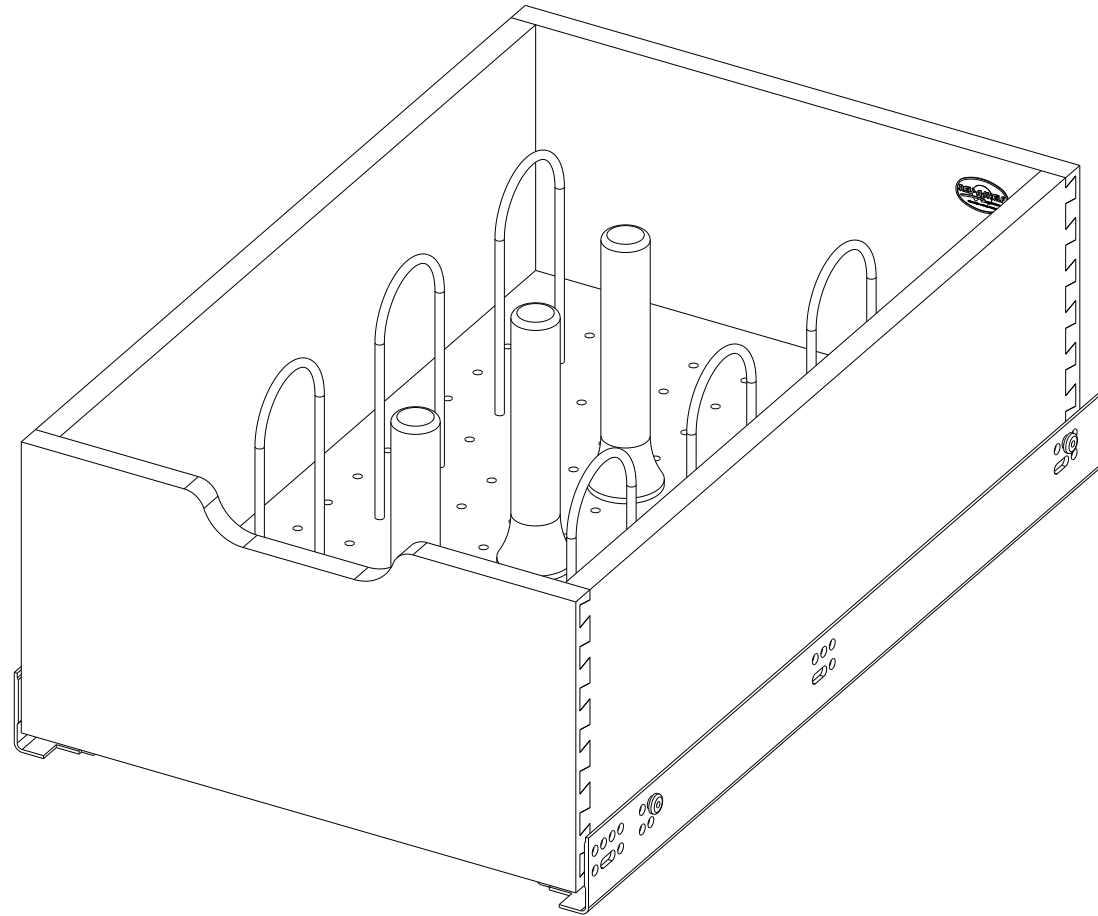
CUSTOMER DRAWING

This drawing is the property of Rev-A-Shelf (RAS) and is disclosed in confidence to the extent its subject matter is original to RAS. Any vendor receiving this drawing from RAS shall hold and use this drawing for the sole benefit of RAS and shall not disclose it to, or use or reproduce it for any third party, or perform any act adverse to the interest of RAS with respect to this drawing without the express written permission of RAS. Vendors shall not revise any physical, dimensional or performance characteristic unless authorized by Rev-A-Shelf Engineering.

REV.	DATE	BY	DESCRIPTION OF CHANGE
A	2-5-20	KRR	RENAMED

INCH [MM]	AMERICAN PROJECTION 	DRAWN	DKK	DATE	9/10/15	REV-A-SHELF, INC.	
		TOLERANCES MAT. DEC. (WOOD) .XX ±.03 [.8mm] (OTHER) .XX ±.02 [.5mm] (ALL) .XXX ±.005 [.13 mm] FRACTIONS ±1/32 [.8 mm]		ANGLES ±1/2°		MATERIAL FINISH	SIZE <b>B</b> 18" SC DRAWER
DRAWING NO. 4WDB7-PIL-18SC-1						SCALE 0.250	
PART NO. 4WDB7-PIL-18SC-1						SHEET 1 OF 2	

NOTE: THIS DRAWER IS MADE FOR PILASTER SYSTEM AND THE CABINET DIMENSIONS BELOW ARE FOR THE DRAWER AND PILASTERS.



PART DIMENSIONS		
	MIN	MAX
WIDTH	14.17	
DEPTH	21.65	
HEIGHT	7.94	
CONTAINER CAPACITY		
CONTAINER UOM		

MIN CABINET OPENING				
	FACE FRAME	FRAMELESS	INSET FACE FRAME	INSET FRAMELESS
WIDTH	14.25	16.50	14.25	16.50
DEPTH	22.50	22.50	23.25	23.25
HEIGHT	24.25	24.25	24.25	24.25

SLIDE SPECIFICATIONS				
SLIDE MANUFACTURER	BLUM			
SLIDE PART NUMBER	563H5330B	RELEASE PART NUMBER	T51-1801	
SLIDE TYPE	UNDERMOUNT	SLIDE EXTENSION	FULL	MAX WEIGHT RATING
SLIDE CLOSING	SOFT	SLIDE LENGTH	21.00 [533]	
SLIDE MOUNTING	SIDE	SLIDE FINISH	ZINC	90 LB

CUSTOMER DRAWING

This drawing is the property of Rev-A-Shelf (RAS) and is disclosed in confidence to the extent its subject matter is original to RAS. Any vendor receiving this drawing from RAS shall hold and use this drawing for the sole benefit of RAS and shall not disclose it to, or use or reproduce it for any third party, or perform any act adverse to the interest of RAS with respect to this drawing without the express written permission of RAS. Vendors shall not revise any physical, dimensional or performance characteristic unless authorized by Rev-A-Shelf Engineering.

REV.	DATE	BY	DESCRIPTION OF CHANGE
A	2-5-20	KRR	RENAMED

INCH [MM]	AMERICAN PROJECTION	DRAWN	BY	DATE	REV-A-SHELF, INC.
			DKK	9/10/15	
			SIZE	18" SC DRAWER	
			MATERIAL	DRAWING NO.	SCALE
			FINISH	4WDB7-PIL-18SC-1	0.250
			PART NO.		SHEET OF
			4WDB7-PIL-18SC-1		2 OF 2

TOLERANCES  
 MAT. DEC.  
 (WOOD) .XX ±.03 [.8mm]  
 (OTHER) .XX ±.02 [.5mm]  
 (ALL) .XXX ±.005 [.13 mm]  
 FRACTIONS ±1/32 [.8 mm]

ANGLES ±1/2°