

Lumination® LED Luminaires

LRX Series - Transformer Kit

Project Name _____

Date _____ Type _____

Notes _____

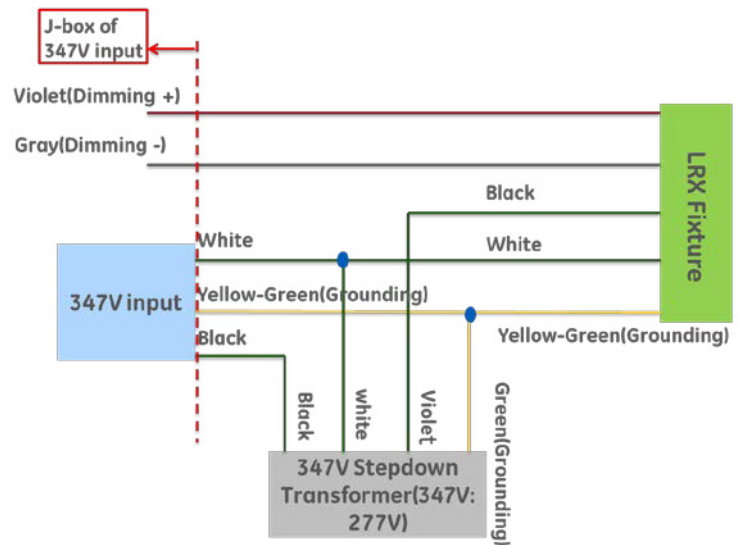
The Lumination® LRX Series transformer kits provides connection to LRX fixtures. This kit is essential in Canadian commercial and industrial applications.



PERFORMANCE SUMMARY

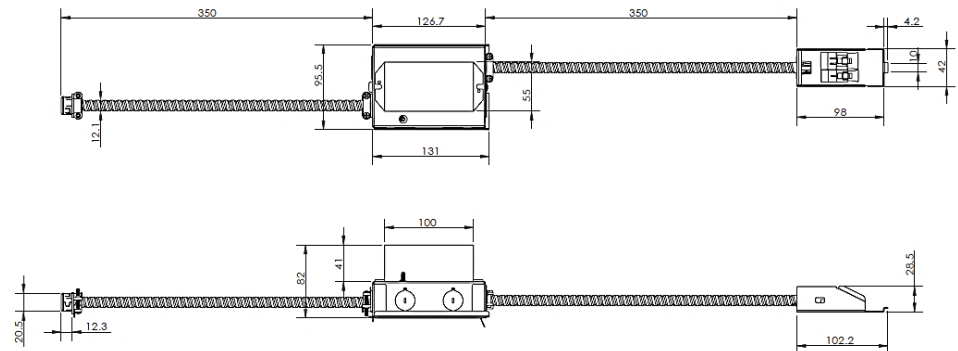
- Input Voltage:** 347V
- Output Voltage:** 277V
- Input Frequency:** 60Hz
- Output Frequency:** 60Hz
- Maximum Current:** 0.27A (277V) or 0.23A (347V)
- Maximum Power:** 70VA
- Storage temperature:** -40C ~ +70C
- Operating temperature:** -10C ~ + 35C
- Compatible Fixtures:** LRX
- Weight:** 1.80kg
- Limited Warranty:** 5 Years
- IC Rating:** Non-IC

PRODUCT DIMENSIONS



ORDERING INFORMATION

MATERIAL	DESCRIPTION CODE
93036250	LRX347V277



LISTINGS



• UL and cUL Listed