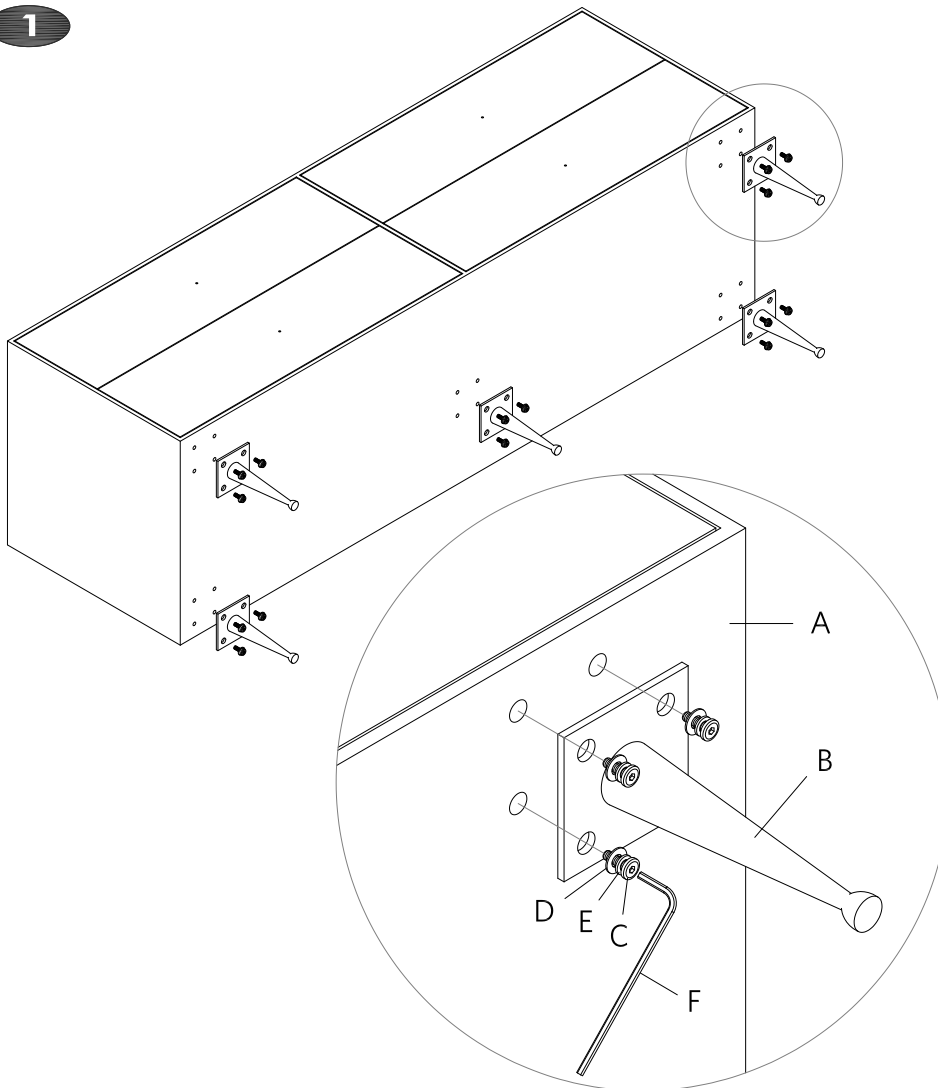


SONDER

LIVING

JULIAN 4 DRAWER DRESSER

1



A		1
B		5
C		20
D		20
E		20
F		1
G		4
H		4

2

