

# EVOLVE

## ECLP Series LED Canopy Light



Project Name \_\_\_\_\_

Date \_\_\_\_\_ Type \_\_\_\_\_

Notes \_\_\_\_\_

The **Evolve**® Canopy LED Petro (ECLP) offers energy efficiency and quality of light in a sleek low-profile look and style that is suitable for wet location, ideal for Gas Station Applications.



### CONSTRUCTION

<b>Housing:</b>	Aluminum die cast enclosure. Integral heat sink for maximum heat transfer
<b>Lens:</b>	Impact resistant tempered glass
<b>Paint:</b>	Corrosion resistant polyester powder paint, minimum 2.0 mil thickness Standard = Black, Dark Bronze, Gray, White (RAL & custom colors available) Optional = Coastal Finish
<b>Weight:</b>	12.6 lbs (5.67 kg)

### OPTICAL SYSTEM

<b>Lumens:</b>	3,700 to 13,400
<b>Distribution:</b>	Symmetric Medium
<b>Efficacy:</b>	119 - 141 LPW
<b>CCT:</b>	3000K, 4000K, 5000K
<b>CRI:</b>	≥70

### ELECTRICAL

<b>Input Voltage:</b>	120-277V & 347-480V (C5&D5 only)
<b>Input Frequency:</b>	50/60Hz
<b>Power Factor:</b>	≥ 90% at rated watts
<b>Total Harmonic Distortion:</b>	≤ 20% at rated watts

### CONTROLS

<b>Dimming:</b>	Standard - 0-10V
<b>Sensors:</b>	Photo Electric Sensors (PE) available, Daintree Compatible

### LUMEN MAINTENANCE

Projected Lxx per IES TM-21-11 at 25°C

Lumen Codes	LXX(10K) @ Hours		
	25,000 HR	50,000 HR	60,000 T5
<b>T5</b>	L96	L92	L91
<b>A5</b>	L95	L93	L92
<b>B5</b>	L95	L93	L92
<b>C5</b>	L95	L93	L92
<b>D5</b>	L92	L88	L86

**Note:** Projected LXX based on LM80 (= 10,000 hour testing). Accepted Industry tolerances apply to initial luminous flux and lumen maintenance measurements.

### LUMINAIRE AMBIENT TEMPERATURE FACTOR

Ambient Temp (°C)	Initial Flux Factor	Ambient Temp (°C)	Initial Flux Factor
10	1.02	30	0.99
20	1.01	40	0.96
25	1.00	50	0.97

### RATINGS

<b>Operating Temperature:</b>	-40°C to 50°C
<b>Vibration*:</b>	1.5G per Per ANSI C136.31-2010
<b>LM-79:</b>	Testing in accordance with IESNA Standards

### WARRANTY

5 Year (Standard)

Not all product variations listed on this page are DLC qualified. Visit [www.designlights.org/search](http://www.designlights.org/search) to confirm qualifications.



Project Name \_\_\_\_\_

Date \_\_\_\_\_ Type \_\_\_\_\_

Notes \_\_\_\_\_

## ECLP 01

## 7

PROD. ID	GEN	VOLTAGE	OPTIC CODE	DISTRIBUTION <sup>3</sup>	CRI	CCT	DIMMING	CONTROLS	MOUNTING	COLOR	OPTIONS
<b>E = Evolve</b>	01	0 = 120-277	T5 = 3700 lm	SM = Symmetric Medium	7 = 70	30 = 3000K	1 = None	1 = None	SM = Surface Mount	BLCK = Black	Y = Coastal Finish <sup>5</sup>
<b>C = Canopy</b>		H = 347-480V <sup>2</sup>	A5 = 5400 lm			40 = 4000K	A = Wired to Control	A = Motion Sensor IR Program <sup>3,4</sup>		DKBZ = Dark Bronze	
<b>LP = Petro</b>		D = 347 <sup>1</sup>	B5 = 7100 lm			50 = 5000K	D = External Wired 0-10V/Leads	B = Daintree Motion Sensor <sup>3</sup>		GRAY = Gray	
			C5 = 10000 lm							WHITE = White	
			D5 = 13400 lm								

<sup>1</sup> Optic code A5 & B5 only 347V available

<sup>2</sup> Only available in C5 or D5 Optics

<sup>3</sup> Not Available for optical code C5 or D5 with 347-480V

<sup>4</sup> Requires Dimming Option A

<sup>5</sup> Recommended for installations within 750 feet from coast. Lead time varies, check with factory.

OPTIC CODE	DIST CODE	TYPICAL INITIAL LUMENS			TYPICAL SYSTEM WATTAGE		IES FILE NUMBER					
		3000K	4000K	5000K	120-277V	347-480V	3000K		3000K		3000K	
							120-277V	347-480V	120-277V	347-480V	120-277V	347-480V
<b>T5</b>	SM	3600	3700	3700	29	N/A	ECLP01_ T5SM730_120-277V		ECLP01_ T5SM740_120-277V		ECLP01_ T5SM750_120-277V	
<b>A5</b>	SM	5200	5400	5400	39	43	ECLP01_ A5SM730_120-277V	ECLP01_ A5SM730_347V	ECLP01_ A5SM740_120-277V	ECLP01_ A5SM740_347V	ECLP01_ A5SM750_120-277V	ECLP01_ A5SM750_347V
<b>B5</b>	SM	6900	7100	7100	54	58	ECLP01_ B5SM730_120-277V	ECLP01_ B5SM730_347V	ECLP01_ B5SM740_120-277V	ECLP01_ B5SM740_347V	ECLP01_ B5SM750_120-277V	ECLP01_ B5SM750_347V
<b>C5</b>	SM	9700	10000	10000	71	71	ECLP01_C5SM730_		ECLP01_C5SM740_		ECLP01_C5SM750_	
<b>D5</b>	SM	13000	13400	13400	101	101	ECLP01_D5SM730_ ECLP01_		ECLP01_D5SM740_		ECLP01_D5SM750_	

For additional information on ECLP files, please click one of the following links:

[ECLP](#)

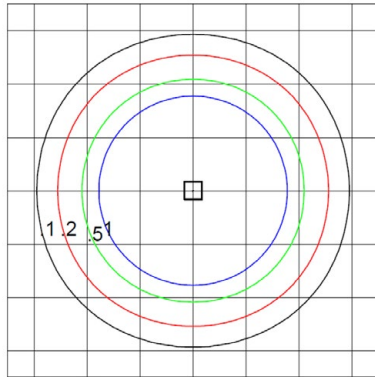
Project Name \_\_\_\_\_

Date \_\_\_\_\_ Type \_\_\_\_\_

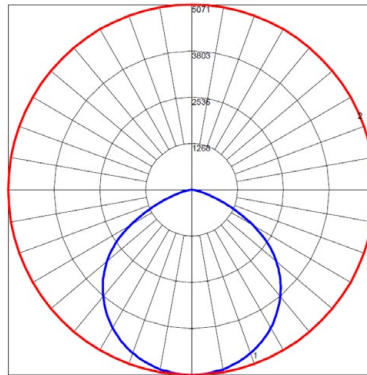
Notes \_\_\_\_\_

**ECLP**  
Symmetric Medium

13,400 Lumens  
5000K  
ECLP01\_D5SM750\_



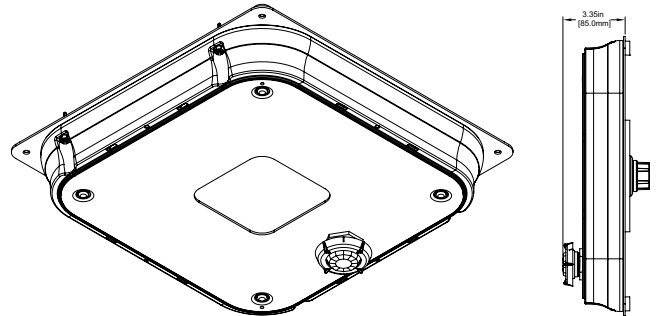
Grid Distance in Units of Mounting Height at 15°  
Initial Footcandle Values at Grade



— Vertical plane through horizontal angle of Max. Cd at 90°  
— Horizontal cone through vertical angle of Max. Cd at 1°

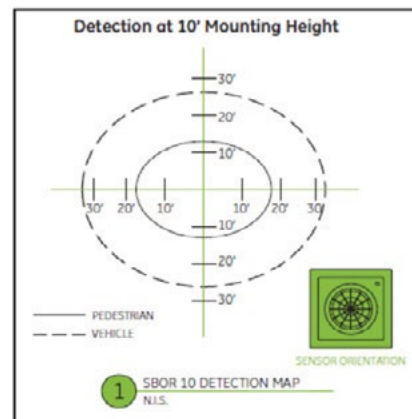
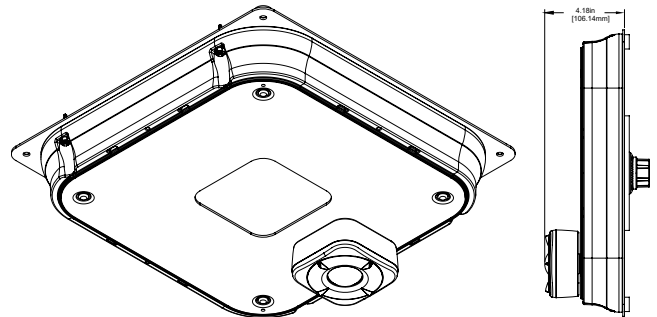
### A MOTION SENSING OPTION-WATTSTOPPER: SENSOR FSP-211, LENS FSP-L2

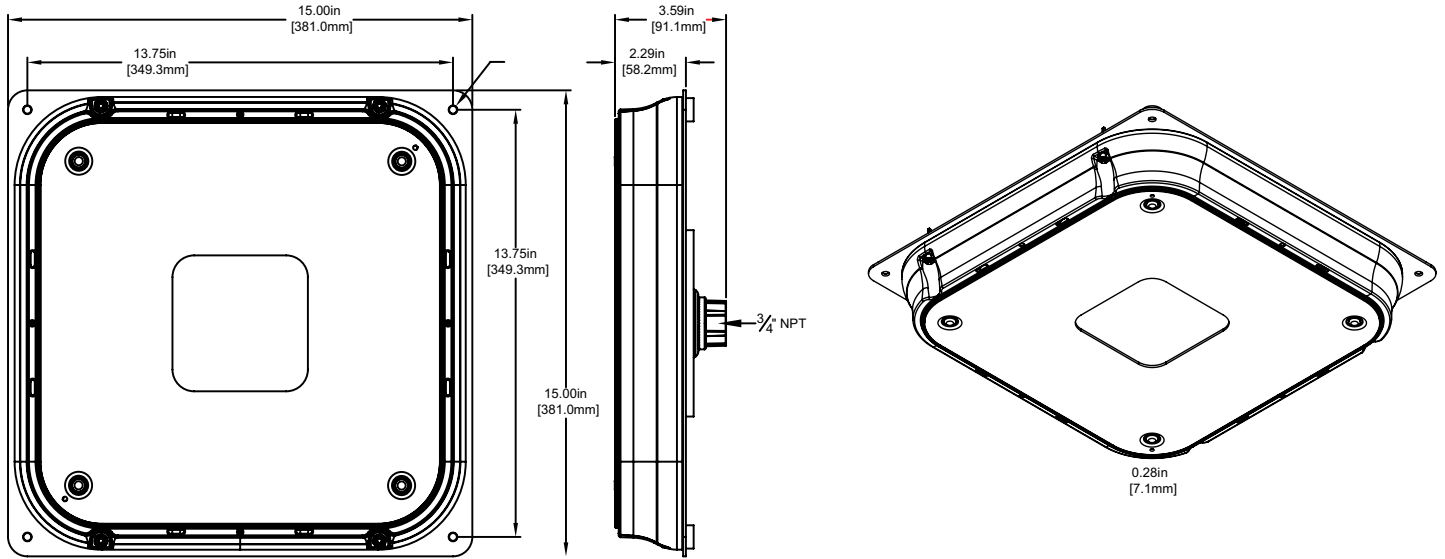
<b>Recommnd</b>	
<b>Mounting Height:</b>	8-25'
<b>Coverage Radius:</b>	15-20' (4.6-6.1 m)
<b>Lateral Coverage:</b>	360°
<b>Default Settings:</b>	
<b>Output:</b>	Occupied - 100%/Unoccupied - 50%
<b>PE Sensor:</b>	Enabled
<b>Ramp/Fade:</b>	5 Minutes/5 Minutes
<b>Adds:</b>	< 1W to fixture power rating
<b>Field:</b>	Requires Daintree Enterprise and wide area control (WAC)



### B MOTION SENSING OPTION - DAINTREE: WHS100-BM

<b>Recommnd</b>	
<b>Mounting Height:</b>	8-25'
<b>Coverage Radius:</b>	15-20' (4.6-6.1 m)
<b>Lateral Coverage:</b>	360°
<b>Default Settings:</b>	
<b>Output:</b>	Occupied - 100%/Unoccupied - 50%
<b>PE Sensor:</b>	None
<b>Ramp/Fade:</b>	5 Minutes/5 Minutes
<b>Adds:</b>	< 1W to fixture power rating
<b>Field:</b>	Requires Daintree Enterprise and wide area control (WAC)





### BEAUTY PLATES

Product ID	Series	Detail	Color
ECL	E = Escutcheon Plate	1 = 24" x 24" ECLS	BLCK = Black
		2 = 32" x 32" ECLS	DKBZ = Dark Bronze
		3 = 24" x 24" ECLP	WHITE = White
		4 = 32" x 32" ECLP	