

Lumination[®] LED Luminaire



Lutron Driver Box (EP/EL Series)



BEFORE YOU BEGIN

Read these instructions completely and carefully.



WARNING/AVERTISSEMENT

RISK OF ELECTRIC SHOCK

- Turn power off before inspection, installation or removal.
- Properly ground electrical enclosure.

RISK OF FIRE

- Follow all NEC and local codes.
- Use only UL approved wire for input/output connections. Minimum size 18 AWG.

RISQUES DE DÉCHARGES ÉLECTRIQUES

- Coupez l'alimentation avant d'inspecter, installer ou déplacer le luminaire.
- Assurez-vous de correctement mettre à la terre le boîtier d'alimentation électrique.

RISQUES D'INCENDIE

- Respectez tous les codes NEC et codes locaux.
- N'utilisez que des fils approuvés par UL pour les entrées/sorties de connexion. Taille minimum 18 AWG.

Save These Instructions

Use only in the manner intended by the manufacturer. If you have any questions, contact the manufacturer.

Provided in the Package

- Power supply - rated 120-277V, 50/60Hz
- Grounding screw and washer
- For model code EP-DKIT400UEVVA and EL-DKIT360-S-LN use Lutron Ecosystem 0-10V interface
- For model code EP-DKIT400-S-347V and EL-DKIT360-S-347V Transformer GETR480/277-250W

Optional

If using a dimming controller, connect matching-colored wires together.

Risk of Damage

Make sure that supply connection, light fixture wiring, and dimming cables are connected to proper driver inputs. Wrong connection may cause damage to the product.

Must use UL approved conduit fittings for all enclosure box connections to prevent wire cuts by sharp edges and excessive strain on wiring.

Features

- For remote location application
- Suitable for dry or damp locations

Prepare Electrical Wiring



Electrical Requirements

- The LED driver must be supplied with 120-277 VAC, 50/60 Hz (in 120-277V application).
- For model code: EL-DKIT360-S-347V and EP-DKIT400-S-347V, the unit must be supplied with 347 VAC, 60 Hz (in 347V application).
- Connected to an individual properly grounded branch circuit, protected by a 15 or 20 ampere circuit breaker. Use min. 75°C supply conductor.



Grounding Instructions

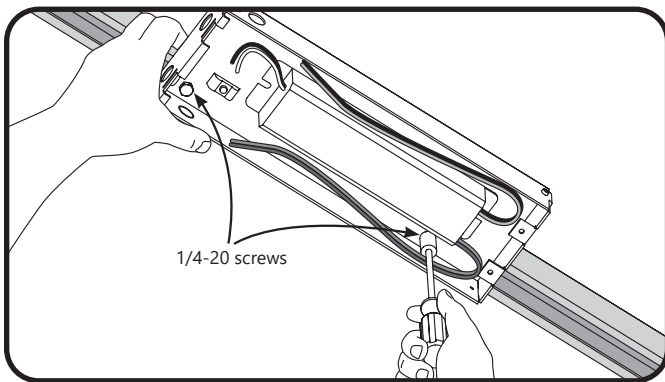
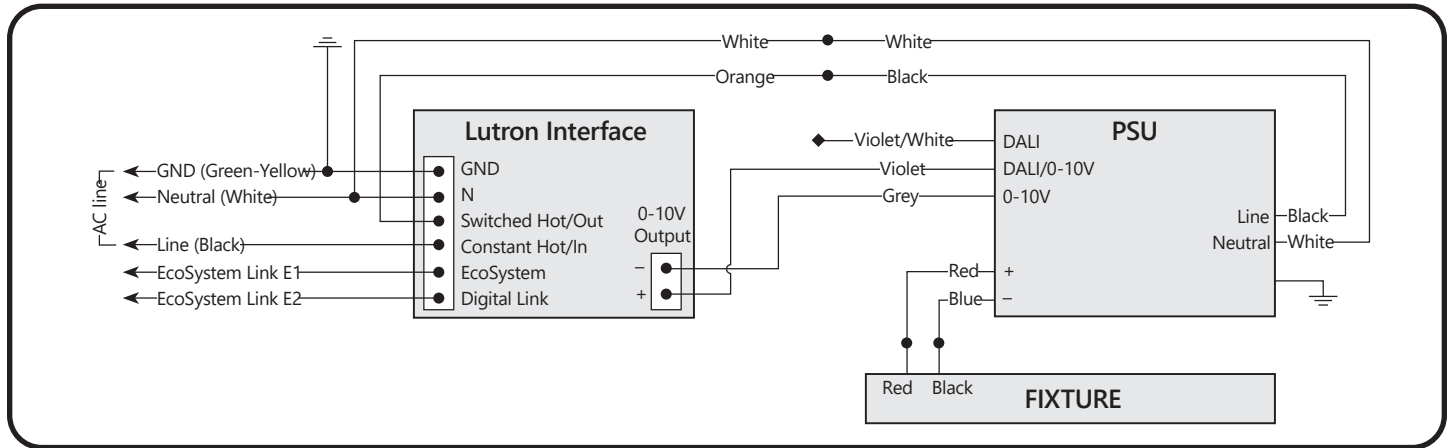
- The grounding and bonding of the overall system shall be done in accordance with National Electric Code (NEC) Article 600 and local codes.

Tools and Components Required

- #2 Phillips head screwdriver
- UL Recognized conduit connections per NEC/CEC for nominal conduit trade sizes 1/2" or 3/4"
- UL Recognized wire connectors

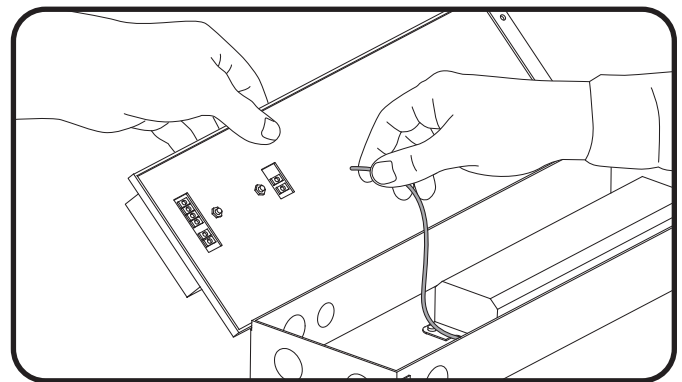
Electrical Connections

Wiring Diagrams

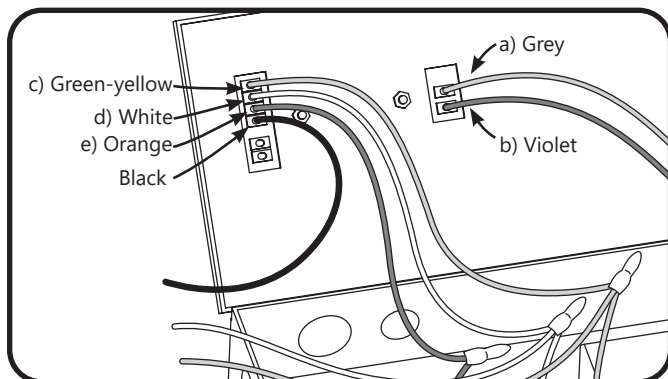


- 1 Carefully unpack unit from its packaging. Install driver enclosure to a suitable structural member using two 1/4-20 screws.

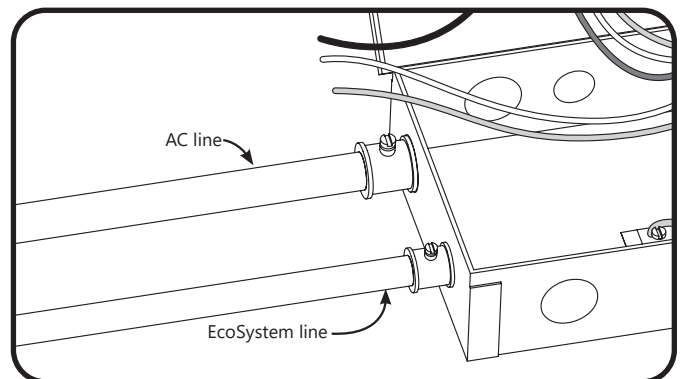
Risk of damage: Make sure driver enclosure is not installed where wires can be cut by sharp edges.



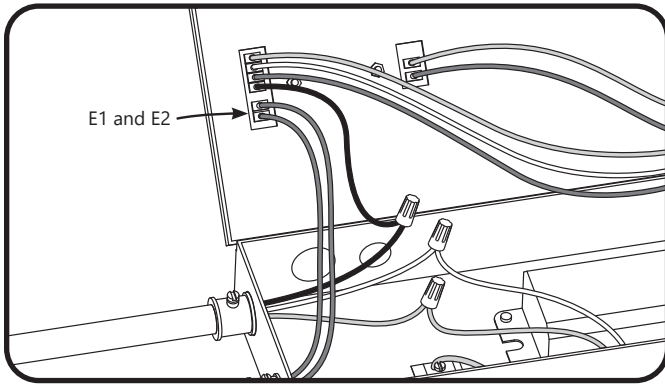
- 2 Gently place enclosure cover close to the driver enclosure. Follow wiring diagram and insert striped wires into Lutron interface connector as described in next step.



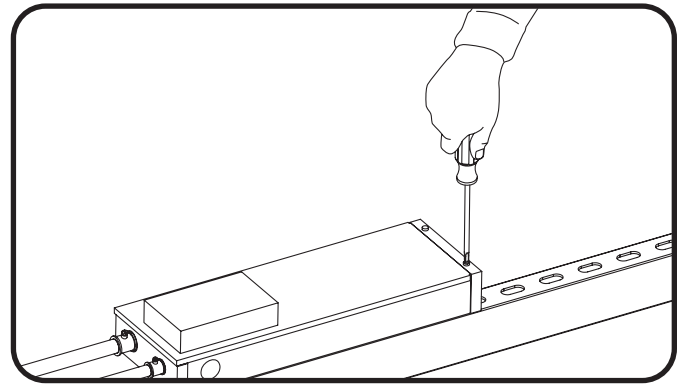
- 3 Connect Driver wires to Lutron interface as follows:
 - a. Driver 0-10V grey wire to Lutron grey connector.
 - b. Driver 0-10V violet wire to Lutron violet connector.
 - c. One green-yellow wire to Lutron green connector.
 - d. One Driver white wire to Lutron white connector.
 - e. Driver orange wire to Lutron orange connector.



- 4 Push out appropriate size knockout tabs and install approved conduit connectors for both the AC and EcoSystem lines.



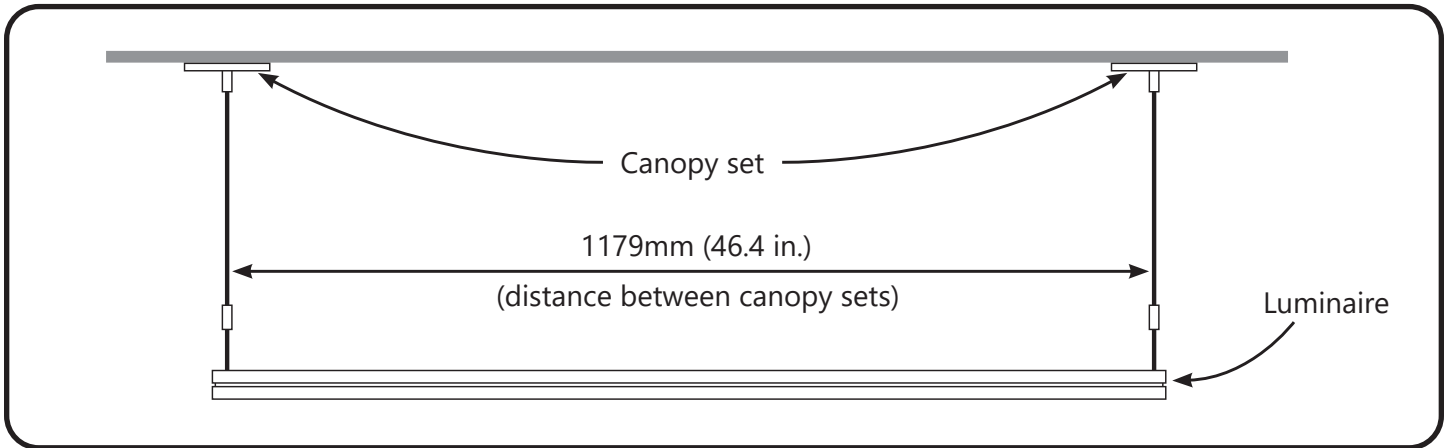
5 Connect AC line to black, white and green wires from Lutron interface with twist-on wire caps. Connect EcoSystem bus wires to the two purple Lutron connectors (Link E1 and E2).



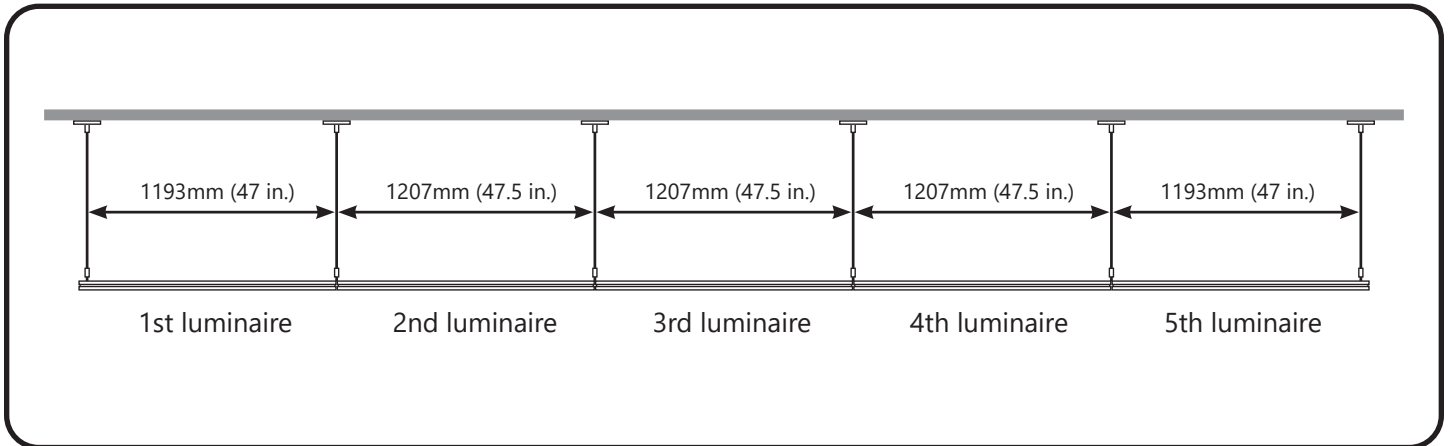
6 After completing connections, replace enclosure cover and screw down M4 screws and lock washers. Make sure screws are tight and cover is secured.

Define Distance Between Canopy Sets

Single unit installation scenario:



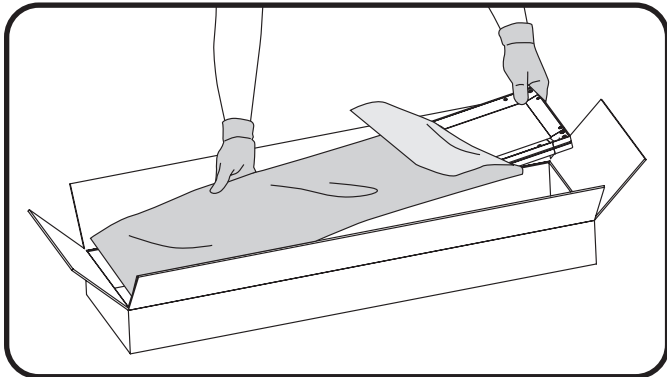
Multiple units in series installation scenario:



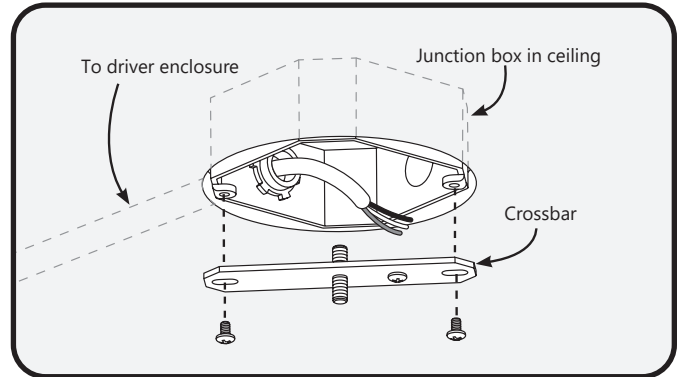
Distance between canopy sets for left and right luminaires = 1193mm (47 in.)
 Distance between canopy sets for luminaires in the middle = 1207mm (47.5 in.)

Example: To install five units in series, the distance between canopy sets for the 1st (left) and 5th (right) luminaire is 1193mm (47 in.), and the distance between canopy sets for the 2nd, 3rd and 4th (middle) luminaires is 1207mm (47.5 in.).

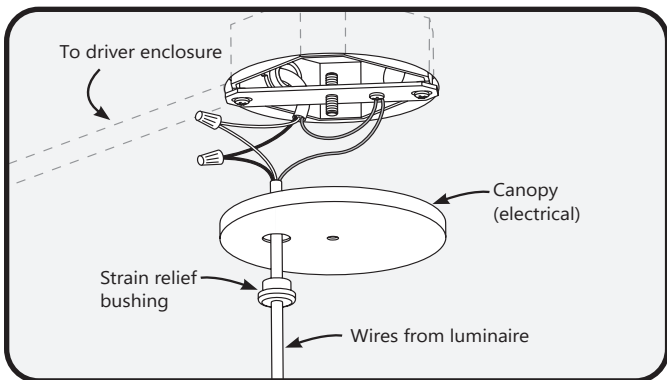
Unit Installation



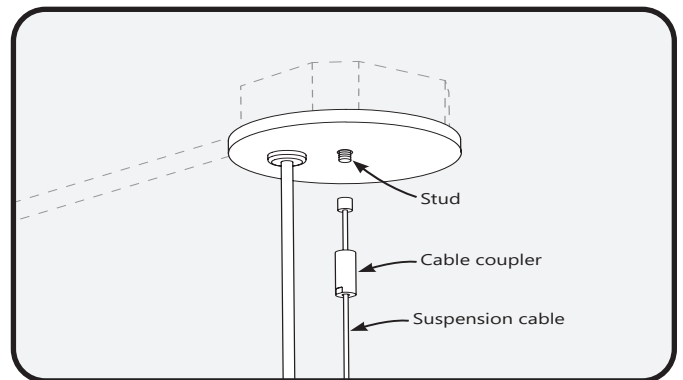
1 Carefully unpack unit from its packaging. Properly inspect for defects before installing. Wear work gloves to prevent dirt and oil from being transferred to the luminaire.



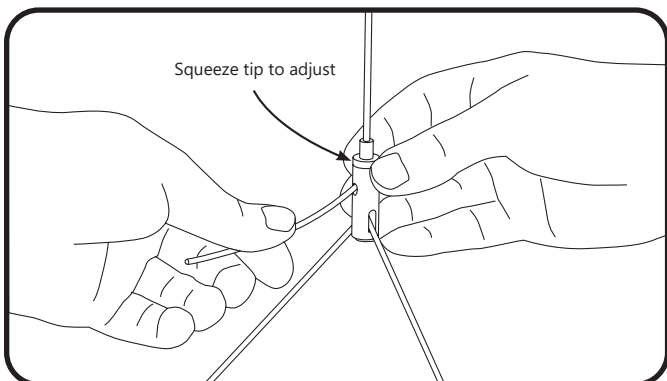
2 Attach crossbar to junction box in ceiling with two 1/4 inch screws. Repeat on other side.



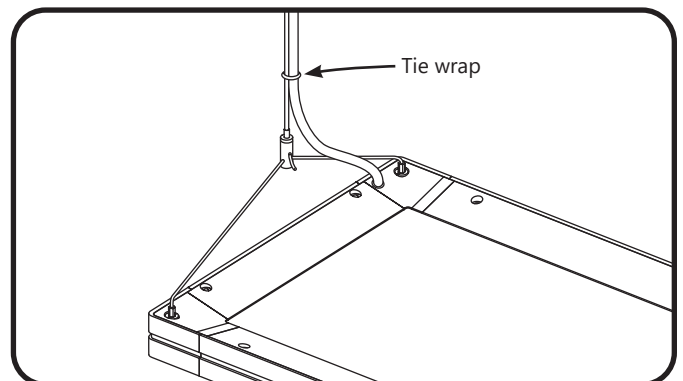
3 Connect the black (line) and white (neutral) wires from the luminaire to the matching-colored wires from the driver enclosure. Connect both green wires to the grounding screw. Refer to the EP-DKIT400UV and EP-DKIT400UD LED Driver Installation Instructions for more information.



4 Fit canopy over stud of crossbar, then screw cable coupler onto stud.

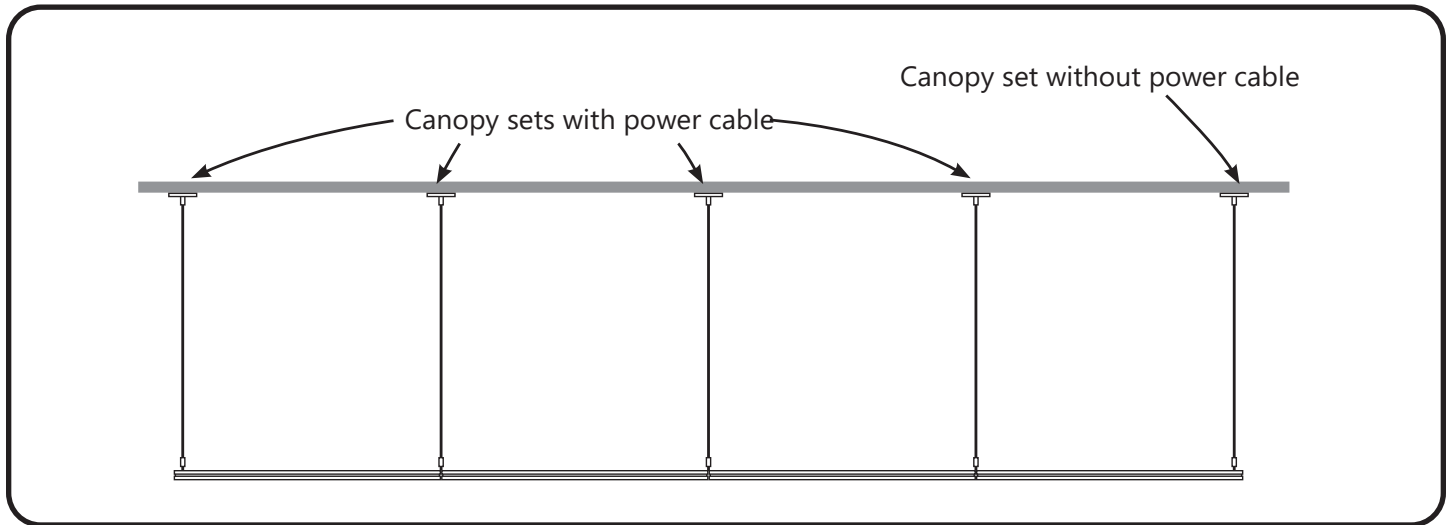


5 To adjust height and to level a fixture, squeeze the tip of the gripper and pull the suspension cable to the desired height. Clip the cable with cable cutters to finish the appearance.

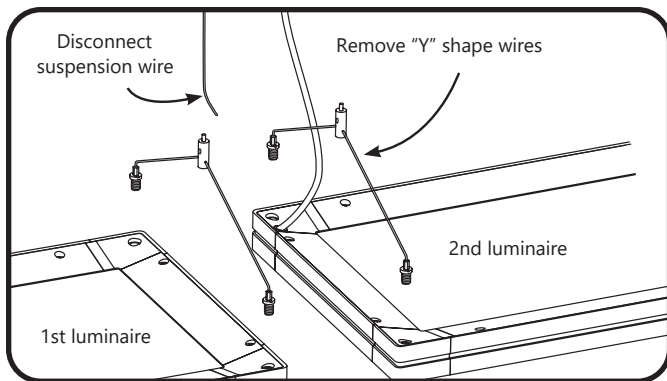


6 *Optional:* For an improved appearance, electrical wire can be tie-wrapped to the suspension wire.

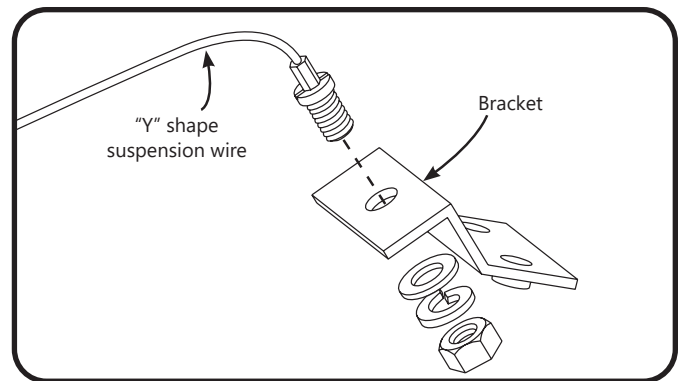
Optional Mounting Method - Connecting Suspended Fixtures in Series



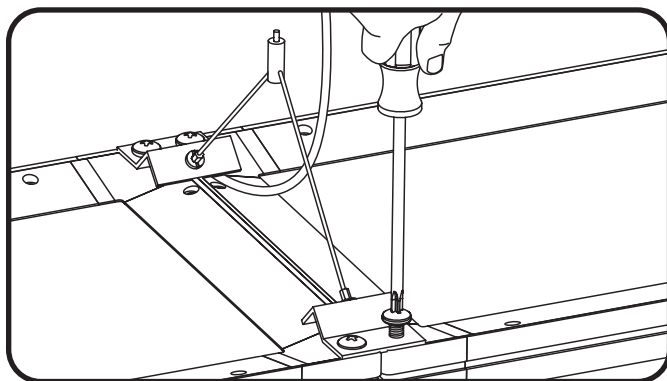
1 For multiple units installed in series, all canopy sets will have a power cable except the last canopy.



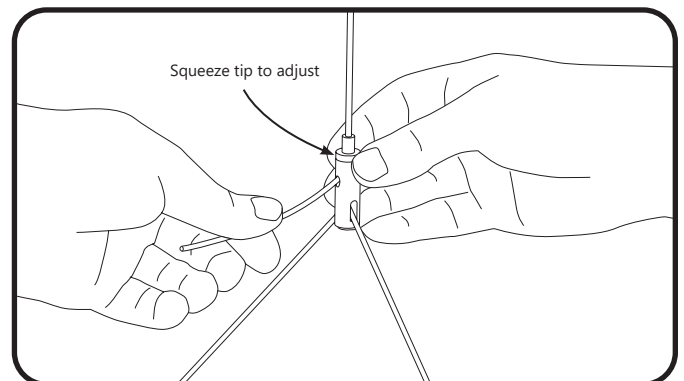
2 On the 1st luminaire, disconnect the right-side suspension wire and "Y" shape suspension wire. Then on the 2nd luminaire, disassemble the left-side "Y" shape suspension wire (this one will not be used).



3 Attach a bracket to each end of the "Y" shape suspension wire using washer, spring washer and M8 nuts. Screw torque should be between 15.3±0.8kg f.



4 Join 1st and 2nd luminaires together by fastening the brackets on the modified "Y" shape suspension wire from Step 9. Fasten brackets using four M8 screws. Screw torque should be between 15.3±0.8kg f.



5 Reattach suspension wire to "Y" shape suspension wire. To adjust height and to level a fixture, squeeze the tip of the gripper and pull the suspension cable to the desired height. Clip the cable with cable cutters to finish the appearance.

Maximum Driver Remote Mounting Distance

Supply Wire Gauge	Wire Length*
18 AWG (0.82 mm ²)	59.0 ft. (18 m)
16 AWG (1.31 mm ²)	98.4 ft. (30 m)
14 AWG (2.08 mm ²)	154.2 ft. (47 m)
12 AWG (3.31 mm ²)	249.3 ft. (76 m)

* Includes fixture's 6.6 ft. (2.0 m) power cord

Specifications

Input Voltage (VAC)	120 – 277V
Input Power (W)	55W
Input Frequency (Hz)	50/60 Hz
Power Factor	> 0.9
THD	< 20%
Control	0-10V & DALI
Ceilings	Cable Suspension System
Warranty	5 years
Dimensions	47.5 in. x 11.8 in. x 1.38 in. (1206 mm x 299 mm x 35 mm)
Light Fixture Weight	14.3 lbs. (6.5 kg)
Environmental Operating Temperature Range	-10°C to +25°C
Environmental Humidity (non-condensing)	20 to 80% Non-condensing, dry location rated
Environmental Storage Temperature Range	-40°C to +60°C

Conforms to the following standards:

