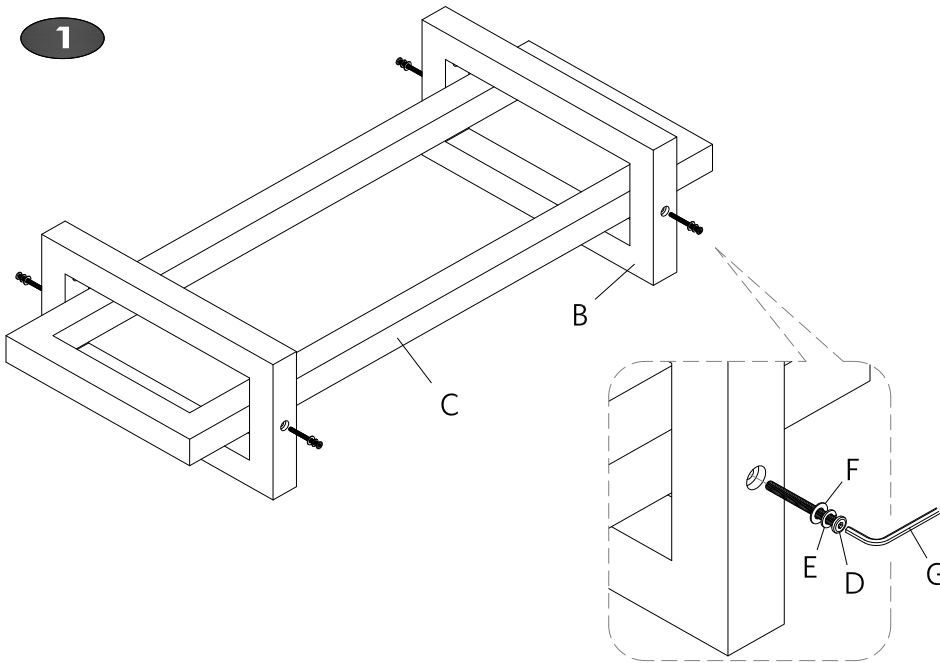


# SONDER

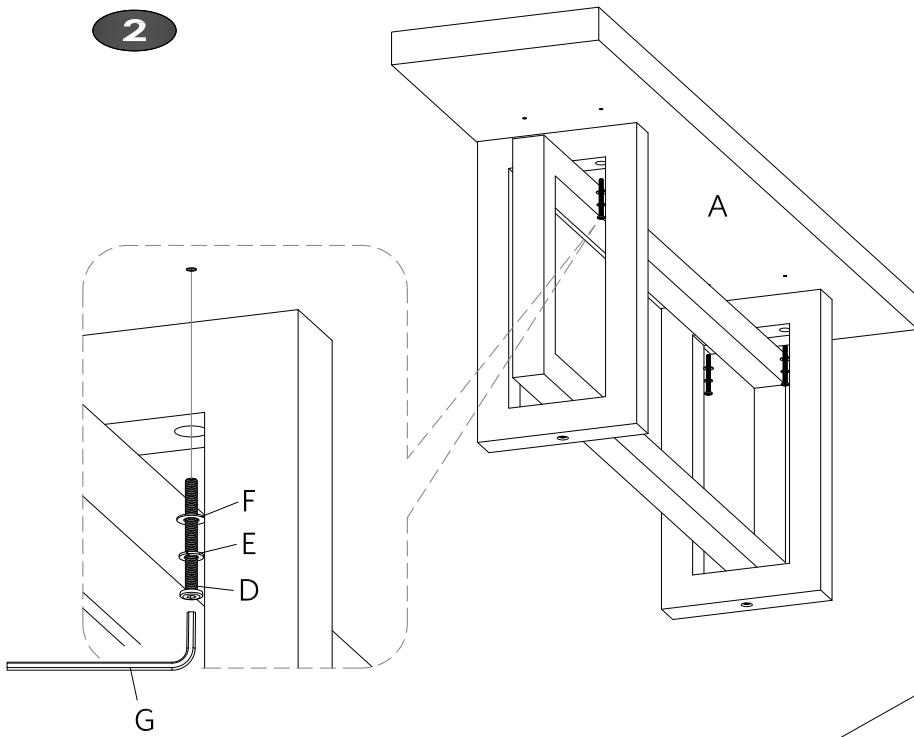
LIVING

## CUBE CONSOLE TABLE

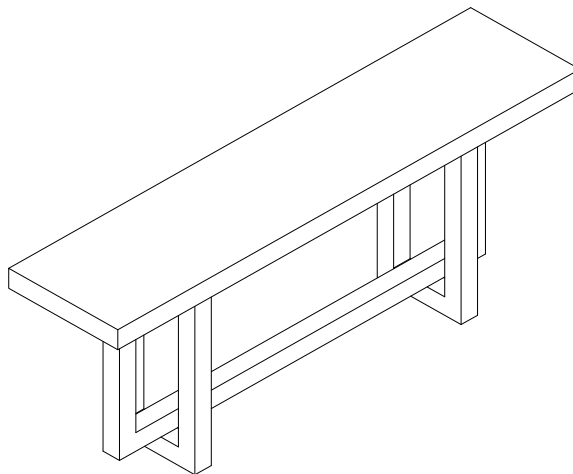
1

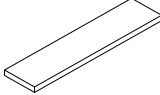
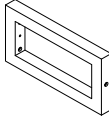
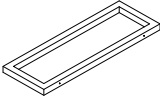
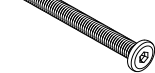
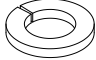




2



3



A		1
B		2
C		1
D		8
E		8
F		8
G		1